

## CONVENTIONAL AUGER

Meridian's heavy-duty conventional grain augers are built to be efficient and versatile, accommodating any job.

Our frame design allows for better weight distribution, which makes it easier to move the auger and provides stability when the auger is operating in the raised position.

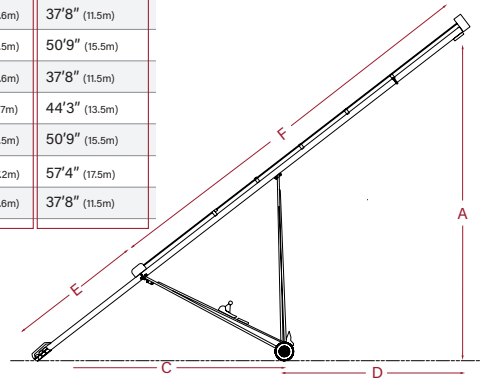
At Meridian, we want to help our customers get their work done faster, safer and more efficiently. Our products are designed with the features that farmers need and constructed using high-quality parts and industry-leading manufacturing techniques, meaning that our augers keep performing, season after season.



### APPLICATIONS

- Load and unload Bins / Silos
- Load Trucks and Trailers

Model	Under-Carriage	Engine	Tube Dia.	Capacity	Height A		Length C		Length D		Length E + F
					Raised	Lowered	Raised	Lowered	Raised	Lowered	
HD8-39	A-Frame	35HP Kohler	8"	90 tonne per hr	23'6" (7.2m)	8'4" (2.6m)	19'3" (5.9m)	21'8" (6.6m)	13'4" (4.1m)	15'0" (4.6m)	37'8" (11.5m)
HD8-53	A-Frame	35HP Kohler	8"	90 tonne per hr	31'6" (9.6m)	11'2" (3.4m)	23'8" (7.2m)	29'7" (9m)	18'1" (5.5m)	21'4" (6.5m)	50'9" (15.5m)
TL10-39	A-Frame	35HP Kohler	10"	180 tonne per hr	23'6" (7.2m)	8'4" (2.6m)	19'3" (5.9m)	21'8" (6.6m)	13'4" (4.1m)	15'0" (4.6m)	37'8" (11.5m)
HD10-46	A-Frame	35HP Kohler	10"	180 tonne per hr	27'7" (8.4m)	9'9" (3m)	20'8" (6.3m)	25'11" (7.9m)	15'1" (4.6m)	18'7" (5.7m)	44'3" (13.5m)
HD10-53	A-Frame	35HP Kohler	10"	180 tonne per hr	31'6" (9.6m)	11'2" (3.4m)	23'8" (7.2m)	29'7" (9m)	18'1" (5.5m)	21'4" (6.5m)	50'9" (15.5m)
HD10-59	A-Frame	35HP Kohler	10"	180 tonne per hr	35'6" (10.8m)	12'7" (3.9m)	26'9" (8.1m)	33'8" (10.3m)	19'9" (6m)	23'7" (7.2m)	57'4" (17.5m)
TL12-39	A-Frame	35HP Kohler	12"	300 tonne per hr	23'6" (7.2m)	8'4" (2.6m)	19'3" (5.9m)	21'8" (6.6m)	13'4" (4.1m)	15'0" (4.6m)	37'8" (11.5m)



### FEATURES

- High performance lift
- 1 Year parts and labour warranty
- Original patented self-levelling motor mount system
- Electric clutch system
- Reversible gearbox
- Spring loaded belt Idler

### OPTIONAL FEATURES

- Light kit
- Auger Mover Kit