



ASSEMBLY AND PARTS LIST MANUAL



CONVENTIONAL AUGER

HD10-46 • HD10-53 • HD10-59

DECLARATION OF CONFORMITY

We the Manufacturer:

**Meridian Manufacturing Inc.
PO Box 1996 2800 Pasqua Street North
Regina, Sk, Canada
S4P 3E1**

Declare the Augers listed below conform to the 2006/42/EC Machinery
Directive

HD10-46
HD10-53
HD10-59

WFN 3119-3120

The Meridian HD10 Series Belt Drive Screw Conveyor and Tube Assembly
is designed for the movement of Grains and Cereals.

TABLE OF CONTENTS

GENERAL

- A1 Declaration of Conformity
- A2 Table of Contents
- A3 Sign Off Sheet

ASSEMBLY

- B1 Main Frame & A-Frame Assembly
- B2 Tube Assembly
- B3 Belt Drive PTO Conversion

PARTS

- C1 Head - End Assembly
- C2 Gear Box Assembly
- C3 Main Frame HD10-46 Assembly
- C5 Main Frame HD10-53 Assembly
- C7 Main Frame HD10-59 Assembly
- C9 A-Frame HD10-46 Assembly
- C10 A-Frame HD10-53 Assembly
- C11 A-Frame HD10-59 Assembly
- C12 Winch Assembly
- C13 Motor Mount Assembly
- C15 HD10-46 Tube Assembly
- C17 HD10-53 Tube Assembly
- C19 HD10-59 Tube Assembly
- C21 PTO Attachment
- C22 PTO Assembly
- C23 General Parts

INDEX

- D1 Parts Index

WARRANTY

- E1 Warranty and Disclaimer

MERIDIAN GRAIN EQUIPMENT SIGN OFF SHEET

As a requirement of OSHA, it is necessary for the employer to train the employee in the safe operation and safety procedures with this equipment. We include this sign-off sheet for your convenience and personal record keeping.

DATE	EMPLOYER SIGNATURE	EMPLOYEE SIGNATURE

FRAME ASSEMBLY

NOTE: Reference to right and left hand used throughout this manual refers to the position standing at the intake end looking toward the head-end.

A-FRAME ASSEMBLY

1. Lay out the frame as shown in **Fig 1**
2. Install spindles in frame using the last or bottom holes in the A-Frame.
3. Place A-Frame so the stub on the Main Frame axle can be slid into the second hole on the A-Frame. Now do the same on the other side. Both pieces should be installed on the axle and be pointing in the opposite direction. (**Fig 1**)
4. Install A-Frame cross brace on A-Frame.
5. Mount gooseneck to the A-Frame, using the middle holes on the gooseneck and the upper end of A-Frame.
6. Install track roller brackets and track roller as shown in **Fig 2**. (do not tighten)
7. When assembling swing augers, install lift cable roller at the upper end of gooseneck.
8. Mount tires on rims and mount rims on axle spindles.

MAIN FRAME ASSEMBLY

1. Lay frame out as shown in **Fig 1**
2. Fasten Main Frame to axle using 7/16" dia. bolts. (do not tighten)
3. Install Main Frame to axle braces and Main Frame cross brace at the same time.
4. Install winch base plate and belt idler bracket.
5. Bolt on winch.
6. Fasten battery mount.
7. Assemble cable roller bracket and mount frame.
8. Leave out two bolts on winch plate so Main Frame can be spread apart to fit on tube pins.

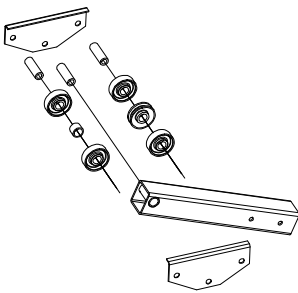


FIGURE 2

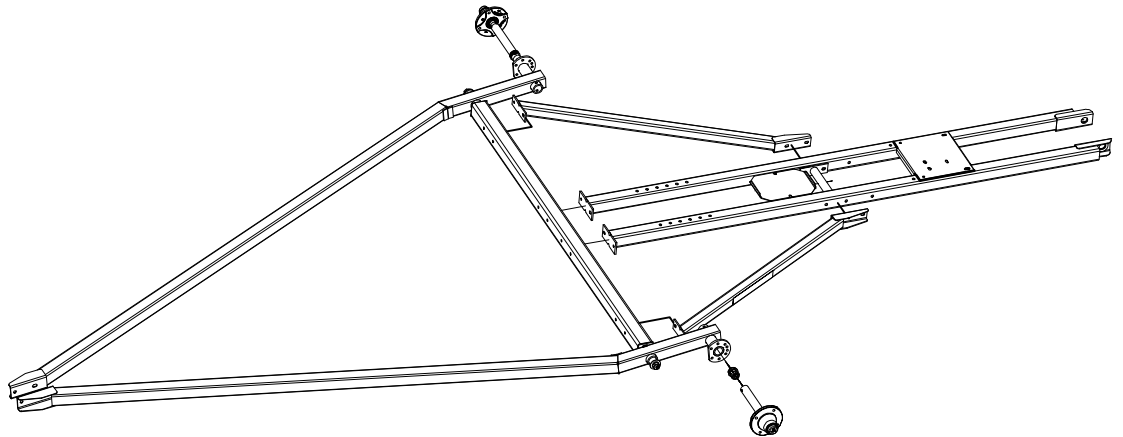


FIGURE 1

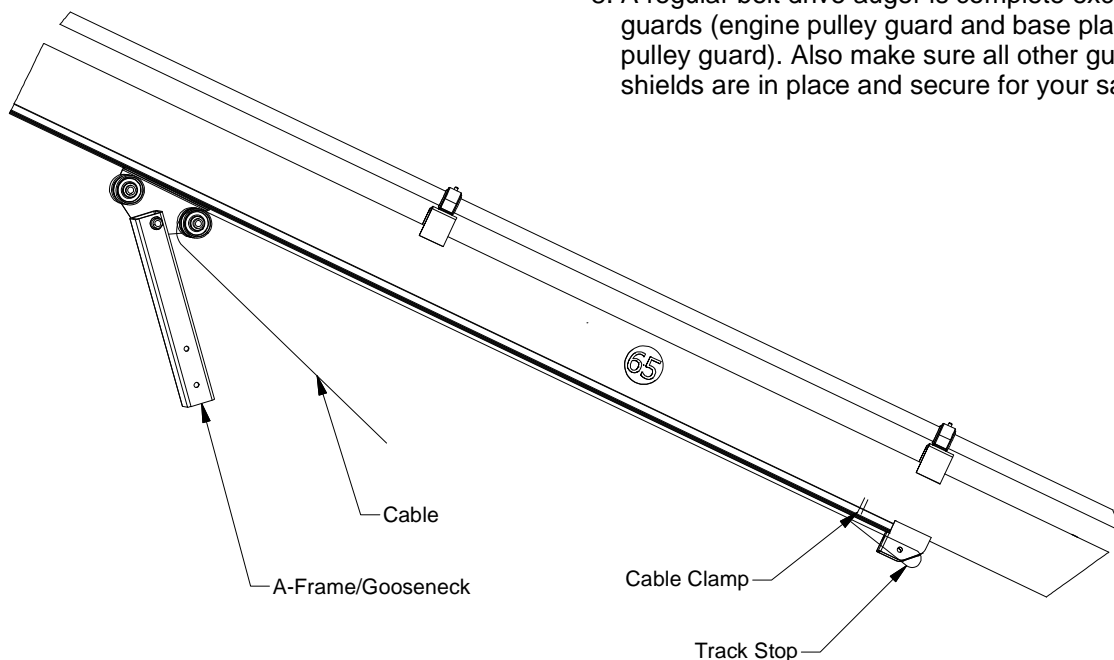
TUBE ASSEMBLY

ASSEMBLY

1. Tube assembly has been pre-assembled at the factory, at this time you should check the tube for damage.
2. After checking for damage, this is a good time to grease drive shaft bearings and oil head-end chains. Head-end bearings have been prelubricated.

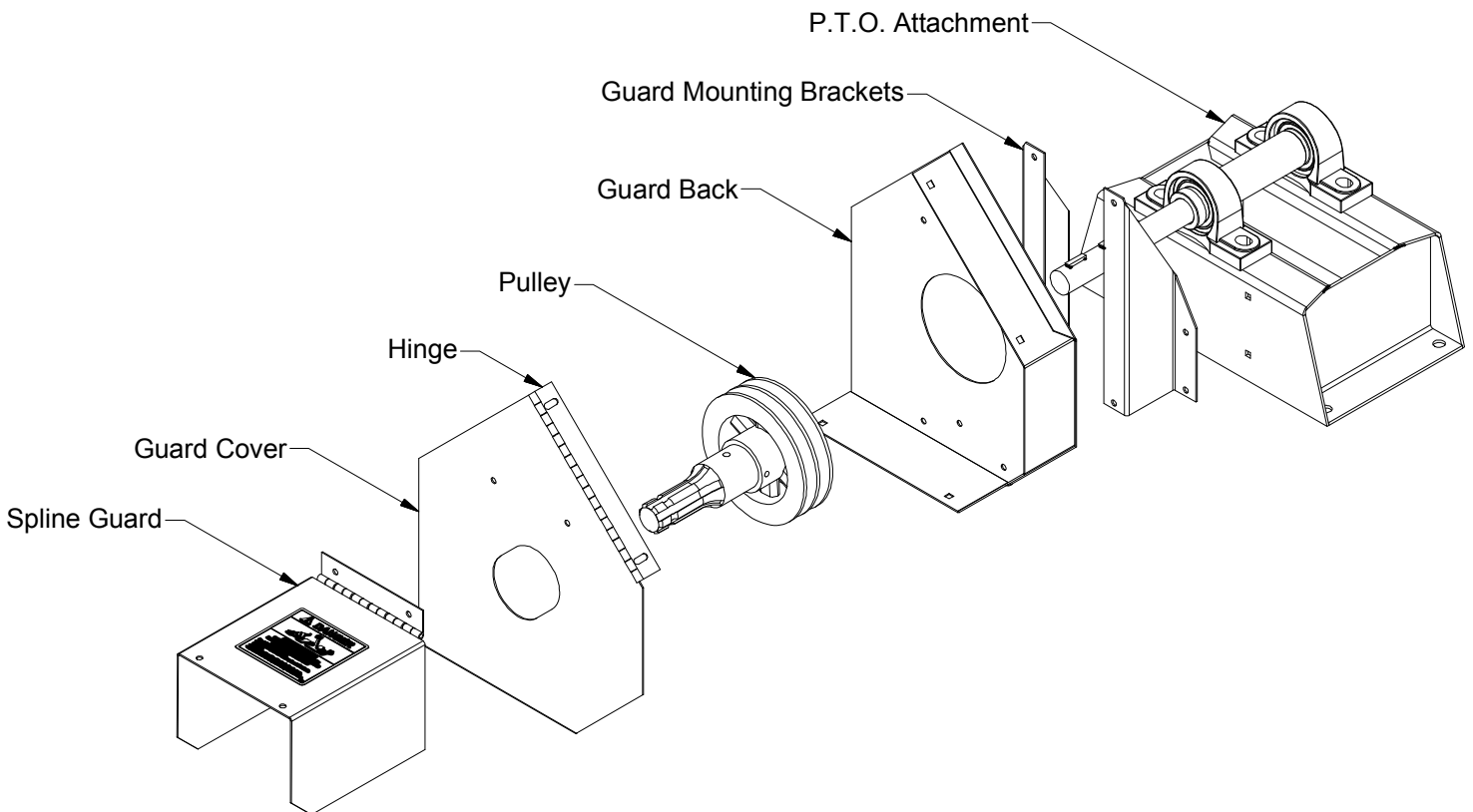
INSTALLATION

1. Raise head-end of the auger tube about 5 ft. Position the complete frame under the auger tube. Place A-Frame to head-end, and Main Frame to intake end. At this time you should run the cable around the grooved roller on the gooseneck.
2. Lift A-Frame up to head-end of the track on the bottom of the auger tube. Spread track roller brackets and fit over track, then tighten.
3. Make sure that the track rollers are well lubricated and rotate freely.
4. Now raise the head-end of the auger tube high enough to allow the Main Frame to fit on the steel pins of the tube assembly. These are the same pins that the truss cable eyebolts are mounted to.
5. Roll frame back to allow the frame to line up to the tube assembly. Then tighten all the bolts on the complete frame and insert all other frame bolts.
6. Lower the auger to the ground and allow the A-Frame to rest against the track stop.
7. Attach cable to the bottom track stop with cable clamp. Cable will already be threaded through the cable roller in the gooseneck (done in previous step). The cable then runs around the Main Frame cable roller and then to the winch. Allow 3 wraps of cable around the winch drum before cable is tight.
8. A regular belt drive auger is complete except for safety guards (engine pulley guard and base plate, gear box pulley guard). Also make sure all other guards and shields are in place and secure for your safety.

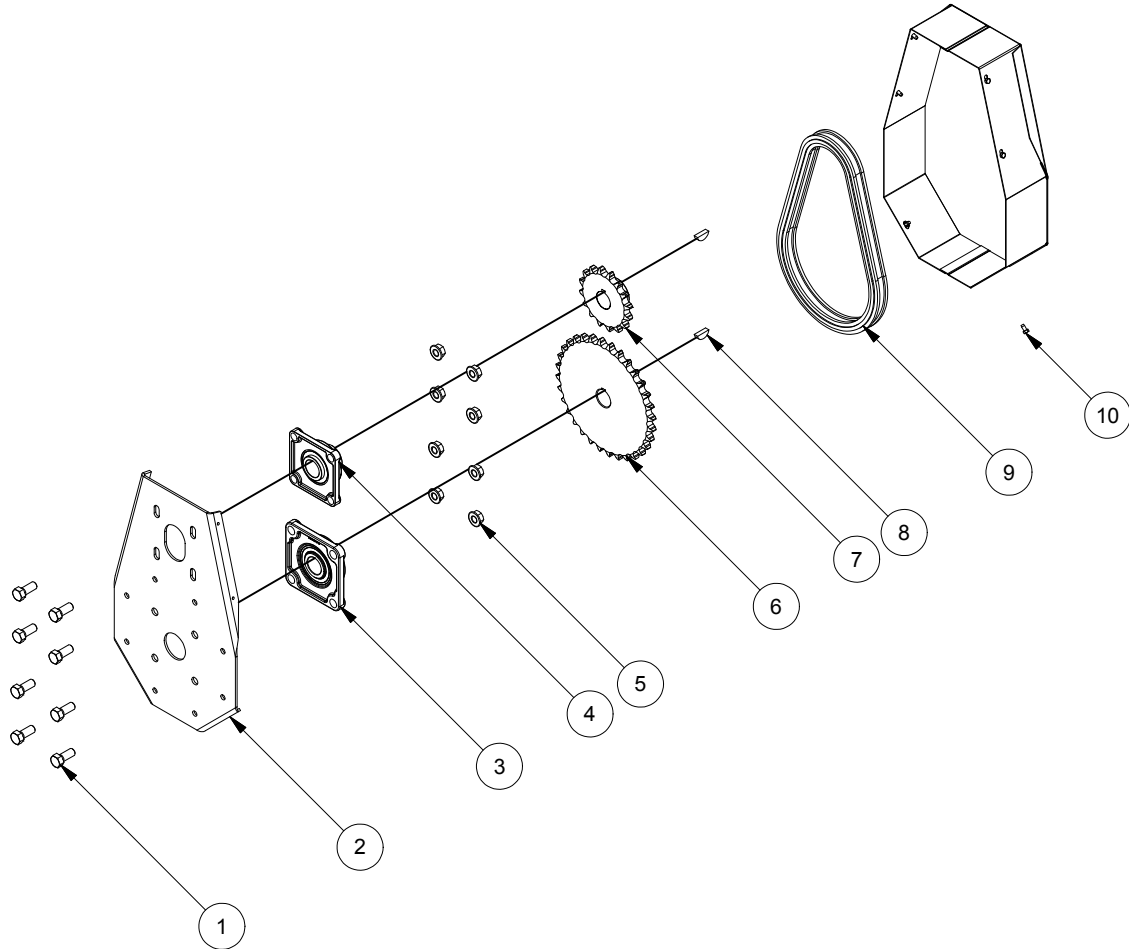


BELT DRIVE ASSEMBLY

1. Mount PTO base onto motor mount base (leave bolts loose).
2. Bolt guard mounting brackets to PTO base on the side that has bolt holes. The small end of the bracket bolts onto the PTO base.
3. Bolt the guard base to the large end of the brackets.
4. Take the V-pulley in the PTO kit and mount it on the gear box of the main auger tube. Hub of the V-pulley must face into gear box.
5. Take the old V-pulley from the gear box and mount it on the PTO shaft of the PTO base. Face the hub of the V-pulley into the PTO base.
6. Bolt guard cover onto guard base.
7. Slide splined coupler onto PTO drive shaft and then tighten the screws.
8. Bolt cover guard to V-pulley guard.



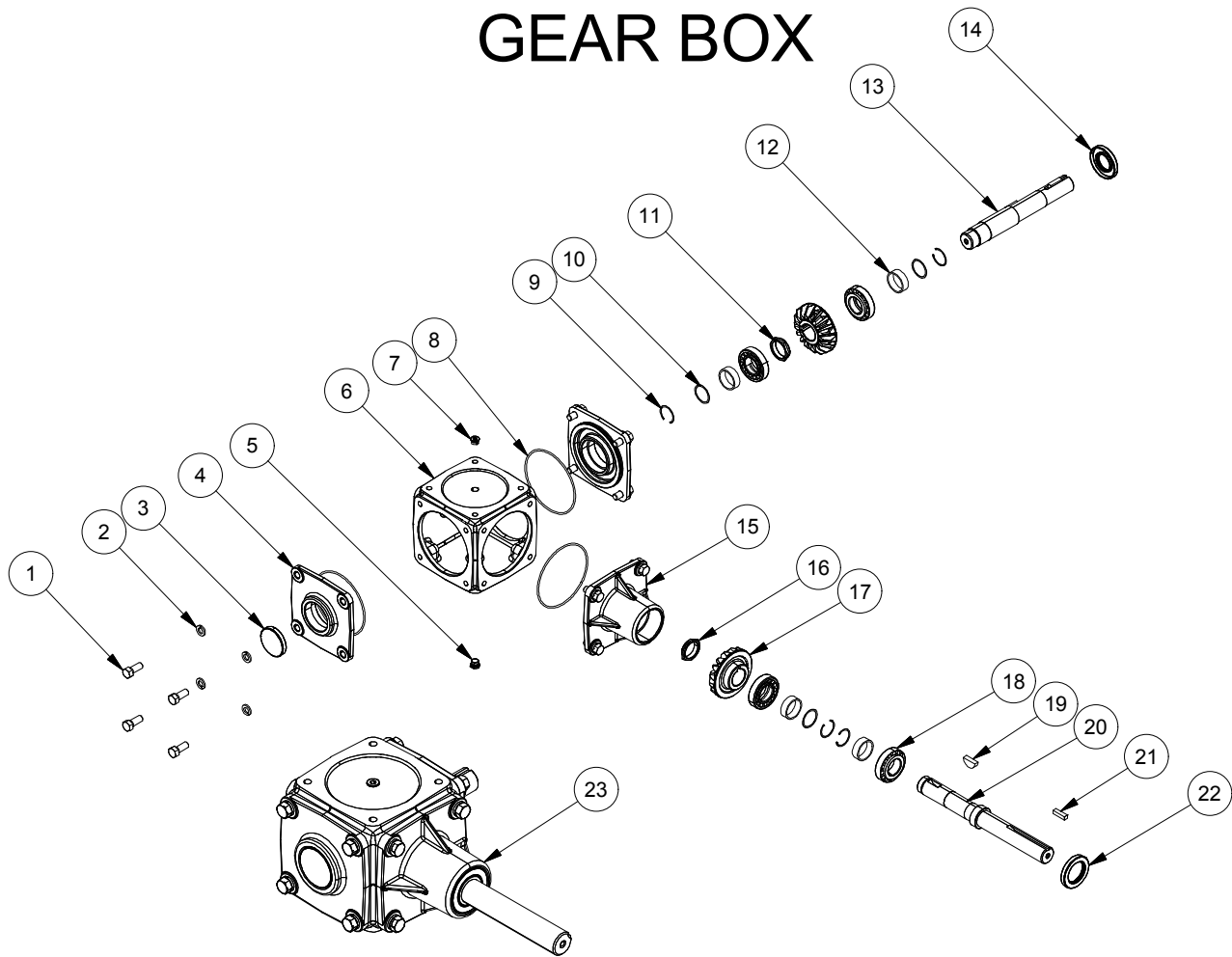
HEAD END



HD10			
REF #	PART #	QUANTITY	DESCRIPTION
1	13-0702-10024	8	Hex Cap Screw - 5/8-11 UNC - 1.5
2	13000001747-00	1	Head End Base Plate
3	13000002341-00	1	1 1/2 Bearing c/w Cast
4	13000001551-00	1	Top Bearing
5	13-0731-00010	8	Flange Nut - 5/8-11 UNC
6	13000003336-00	1	1 1/2 Bore 32T Sprocket
7	13000001619-00	1	Top Sprocket
8	13-0740-01210	2	1210 WoodRuff Key
9	13000003339-00	1	Roller Chain - No. 80-35 c/w Connecting Link
10	13-0706-04008	6	Self Threading Screw - 1/4 x 1/2
11	13000001743-00	1	Head End Cover Assembly

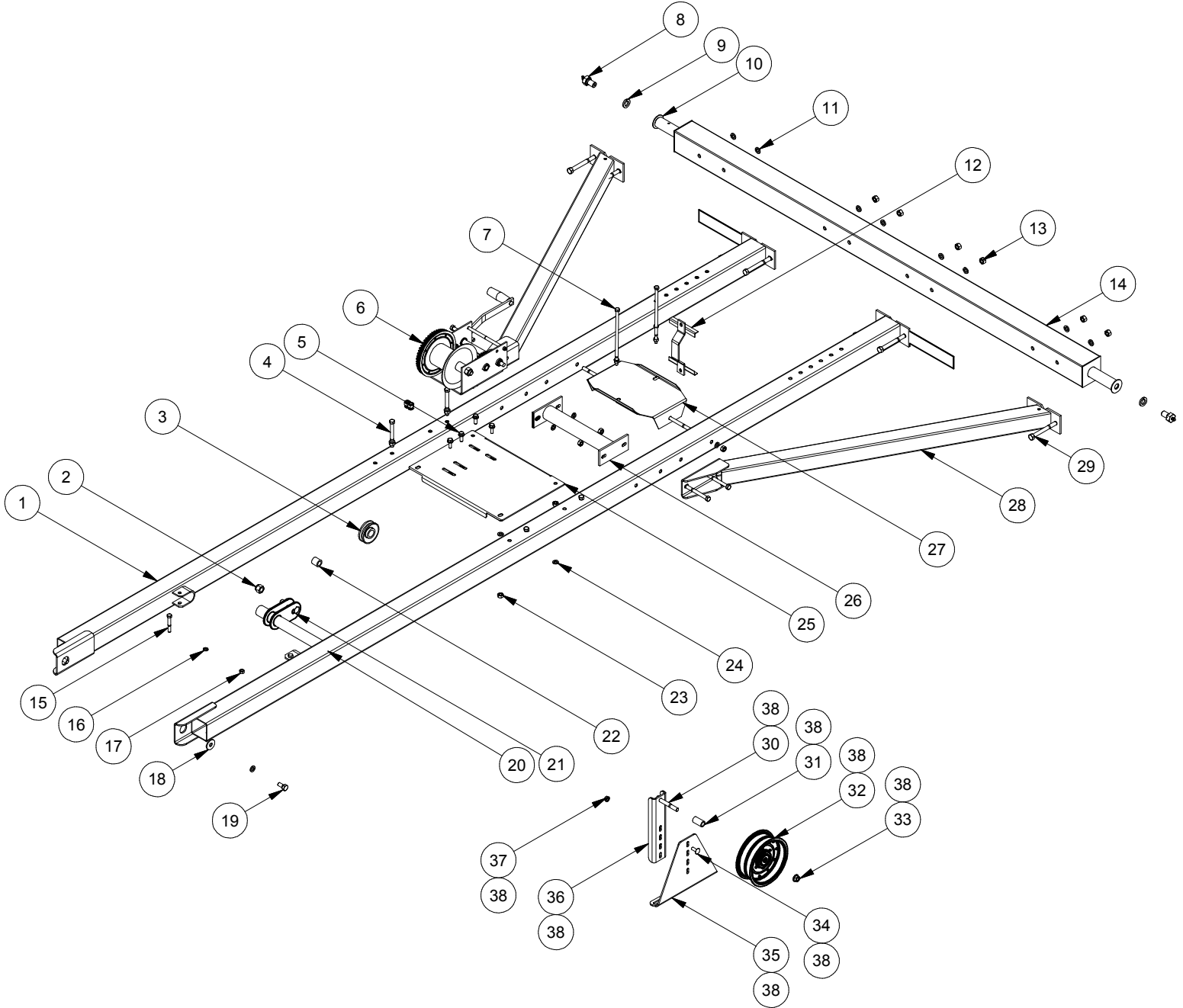
PARTS

GEAR BOX



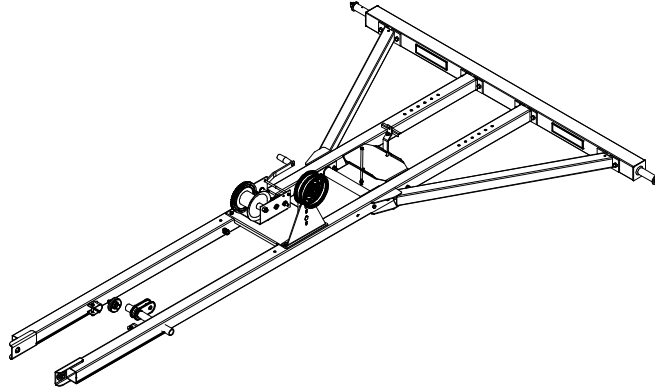
HD10			
REF #	PART #	QUANTITY	DESCRIPTION
1	13-0702-08020	12	1/2-13 UNC - 1.25
2	13-0734-00008	12	Spring Lock Washer 1/2
3	13000004913-00	1	Cap
4	13000001628-00	2	Single Bearing Cover
5	13000001640-00	1	NPT Oil Level Plug - 3/8"
6	13000001626-00	1	Gear Box Housing
7	13000001641-00	2	NPT Oil Drain Plug - 3/8"
8	13000001642-00	3	O-Ring
9	13000001633-00	4	Snap Ring
10	13000001643-00	3	Shim
11	13000001635-00	1	Stakenut 1 1/2"
12	13000001632-00	4	Roller Bearing Cup
13	13000001637-00	1	Output Shaft
14	13000001638-00	1	Oil Seal - 1 3/8" ID
15	13000001627-00	1	Double Bearing Cover
16	13000001634-00	1	Stakenut - 1 3/8"
17	13000001629-00	2	Bevel Gear
18	13000001630-00	4	Tapered Roller Bearing
19	13-0740-01210	2	Woodruff Key, 3/8" x 1 1/4"
20	13000001636-00	1	Input Shaft
21	13000003540-00	2	Keystock
22	13000001639-00	1	Oil Seal - 1 3/4" ID
23	13000003231-00	1	Gear Box Complete

MAIN FRAME - HD10-46



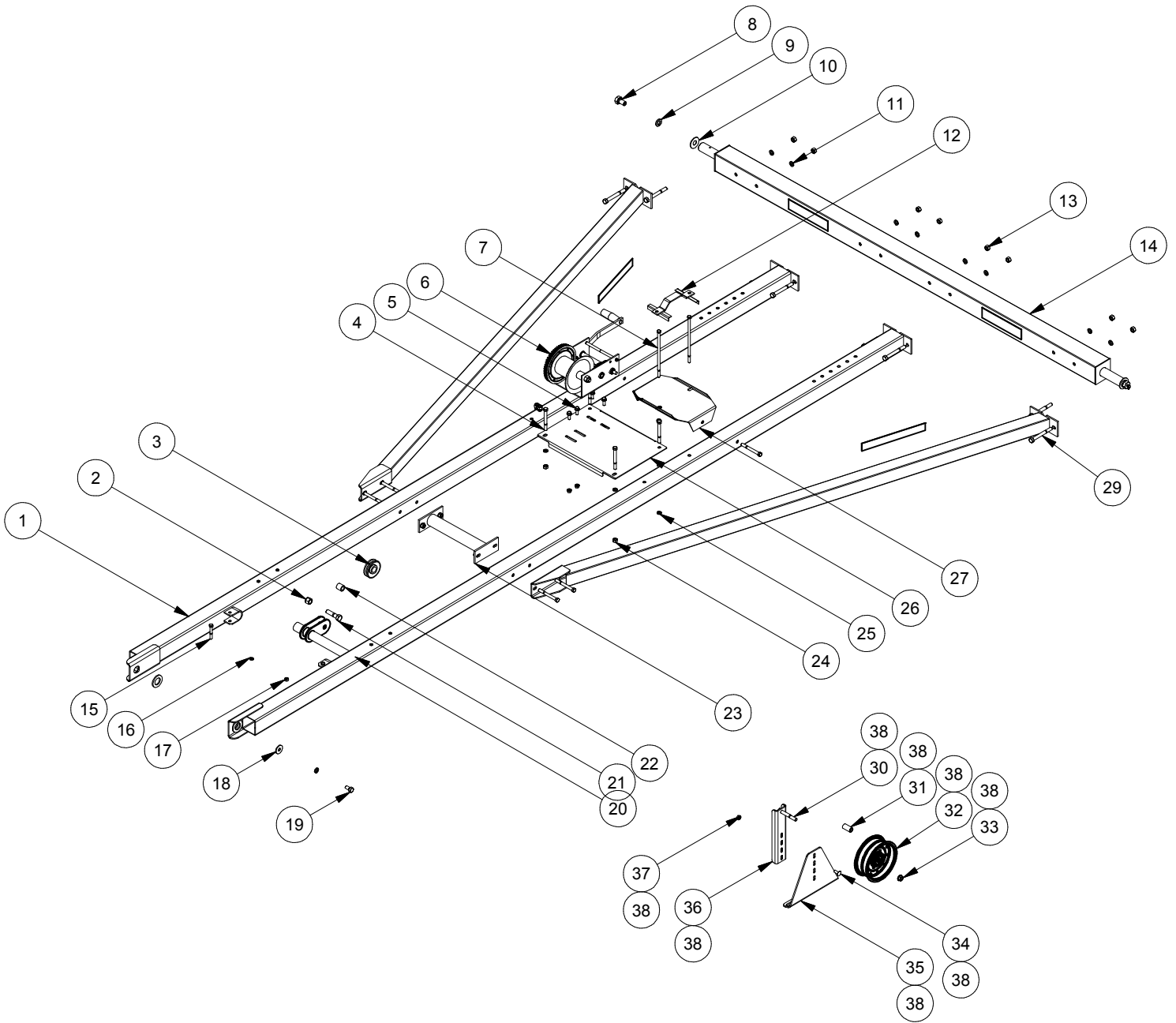
PARTS

MAIN FRAME - HD10-46



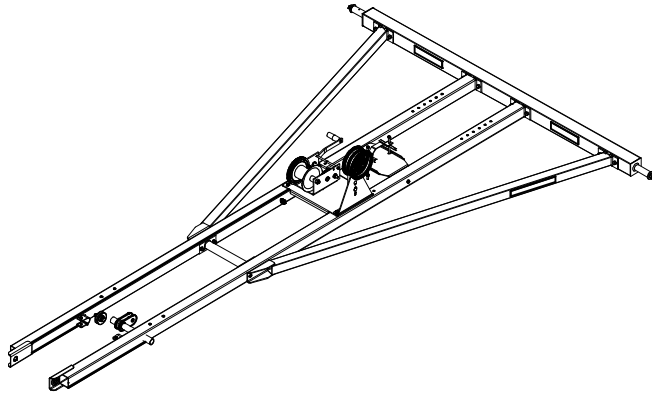
HD10-46			
REF #	PART #	QUANTITY	DESCRIPTION
1	13000002580-00	2	Frame Main
2	13-0729-00010	1	Nylon Locknut 5/8
3	13000001017-00	1	Cable Roller
4	13-0702-07064	10	Hex Cap Screw - 7/16-14 UNC - 4
5	13-0712-06016	4	Flange Bolt 3/8-16 UNC x 1
6	13000001681-00	1	K-2550 Fulton Winch
7	13-0702-06144	2	Hex Cap Screw - 3/8-16 UNC - 9
8	13000001926-00	2	Zerk Bolt Assembly
9	13-0734-00012	2	Spring Lock Washer - 3/4
10	19395	2	Flat washer - 3/4
11	13-0734-00008	10	Spring Lock Washer - 1/2
12	13000001924-00	1	Battery Top Mount
13	13-0725-00008	8	Hex Nut 1/2 - 13
14	13000002579-00	1	Axle
15	13-0702-06040	2	Hex cap Screw - 3/8-16 UNC - 2.5
16	13-0734-00006	4	Spring Lock Washer - 3/8
17	13-0725-00006	4	Hex Nut 3/8-16
18	13000003121-00	2	Flat Washer
19	13-0702-08016	2	Hex Cap Screw - 1/2-13 UNC - 1
20	13000001524-01	1	Bracket Cable Roller
21	13-0702-10040	1	Hex Cap Screw - 5/8-11 UNC - 2.5
22	13000001381-00	1	Cable Roller Bushing
23	13-0725-00007	10	Hex Nut 7/16-14
24	13-0734-00007	10	Spring Lock Washer - 7/16
25	13000001523-00	1	Winch Plate
26	13000002329-00	1	Brace - Main Frame - HD10
27	13000001923-00	1	Battery Mount Base- 10"
28	13000002403-00	2	Axle Brace
29	13-0702-08072	8	Hex Cap Screw - 1/2-13 UNC - 4.5
30	13-0702-08056	1	Hex Cap Screw - 1/2-13 UNC - 3.5
31	13000002407-00	1	Spacer- Belt Idler
32	13000002704-00	1	Belt Idler Flanged
33	13-0731-00008	1	Flange Nut 1/2-13 UNC
34	13-0709-06016	2	Carriage Bolt - 3/8-16 UNC - 1
35	13000003359-00	1	Belt Idler Brace
36	13000003360-00	1	Bracket Channel
37	13-0731-00006	6	Flange Nut 3/8-16 UNC
38	13000003673-00	1	Belt Idler Kit

MAIN FRAME - HD10-53



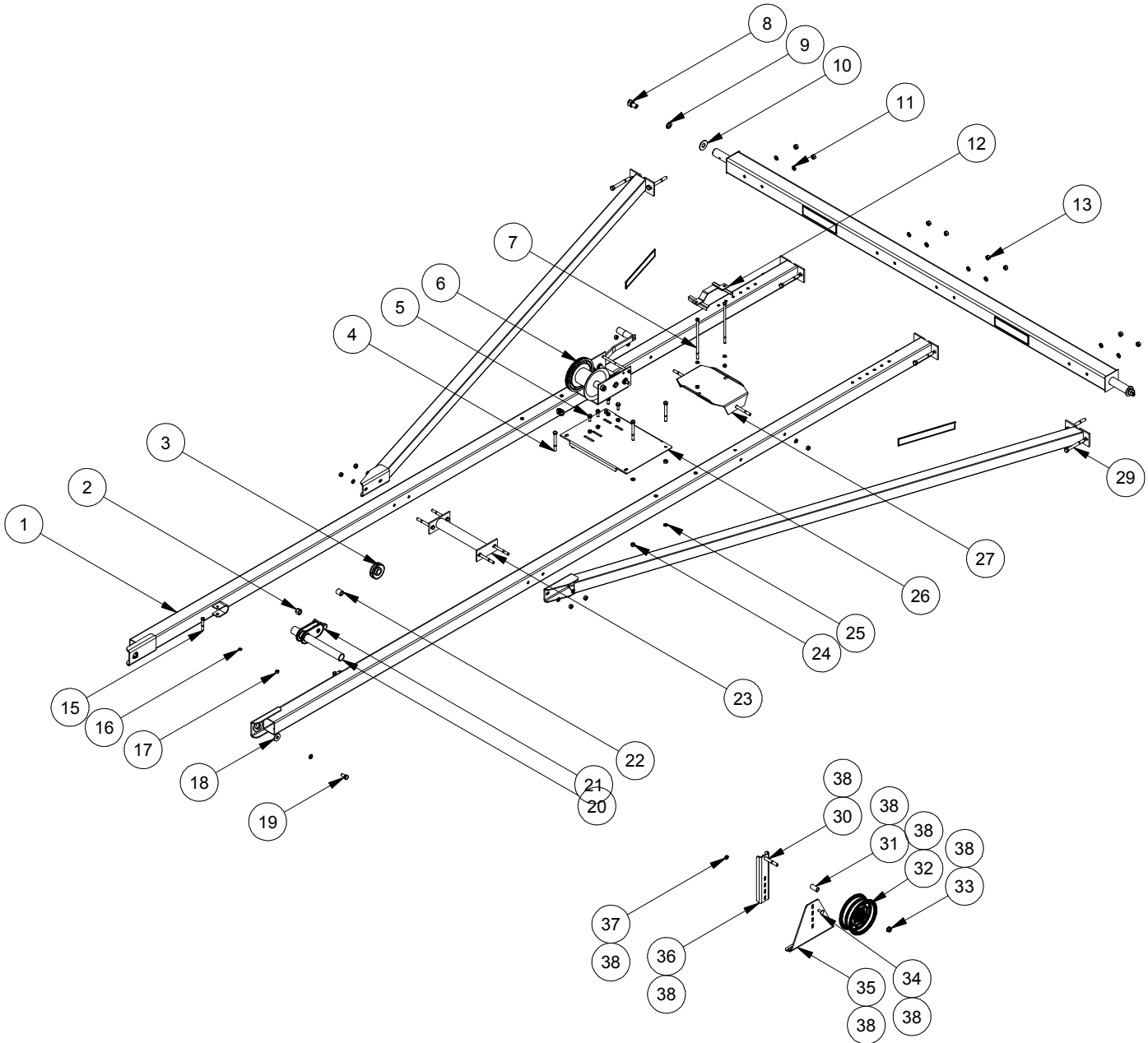
PARTS

MAIN FRAME - HD10-53



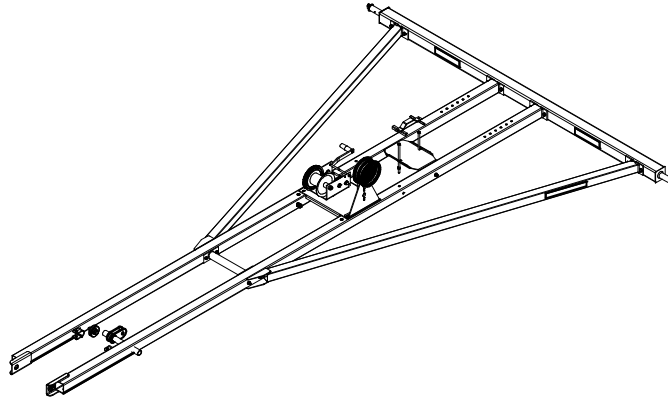
HD10-53			
REF #	PART #	QUANTITY	DESCRIPTION
1	13000002581-00	2	Frame Main
2	13-0729-00010	1	Nylon Locknut 5/8
3	13000001017-00	1	Cable Roller
4	13-0702-07064	10	Hex Cap Screw - 7/16-14 UNC - 4
5	13-0712-06016	4	Flange Bolt 3/8 16 UNC x 1
6	13000001681-00	1	K-2550 Fulton Winch
7	13-0702-06144	2	Hex cap Screw - 3/8-16 UNC - 9
8	13000001926-00	2	Zerk Bolt Assembly
9	13-0734-00012	2	Spring Lock Washers - 3/4
10	19395	2	Flat Washer - 3/4
11	13-0734-00008	10	Spring Lock Washers - 1/2
12	13000001924-00	1	Battery Top Mount
13	13-0725-00008	8	Hex Nut 1/2-13
14	13000002020-00	1	Axle
15	13-0702-06040	2	Hex Cap Screw - 3/8-16 UNC - 2.5
16	13-0734-00006	4	Spring Lock Washers - 3/8
17	13-0725-00006	4	Hex Nut - 3/8
18	13000003121-00	2	Flat Washer
19	13-0702-08016	2	Hex Cap Screw - 1/2-13 UNC - 1
20	13000001524-01	1	Bracket Cable Roller
21	13-0702-10040	1	Hex Cap Screw - 5/8-11 UNC - 2.5
22	13000001381-00	1	Cable Roller Bushing
23	13000002329-00	1	Brace - Main Frame - HD10
24	13-0725-00007	10	Hex Nut - 7/16
25	13-0734-00007	10	Spring Lock Washers - 7/16
26	13000001523-00	1	Winch Plate
27	13000001923-00	1	Battery Mount Base- 10"
28	13000002404-00	2	Axle Bracket
29	13-0702-08072	8	Hex Cap Screw - 1/2-13 UNC - 4.5
30	13-0702-08056	1	Hex Cap Screw - 1/2-13 UNC - 3.5
31	13000002407-00	1	Spacer- Belt Idler
32	13000002704-00	1	Belt Idler Flanged
33	13-0731-00008	1	Flange Nut 1/2-13 UNC
34	13-0709-06016	2	Carriage Bolt - 3/8-16 UNC - 1
35	13000003359-00	1	Belt Idler Brace
36	13000003360-00	1	Bracket Channel
37	13-0731-00006	6	Flange Nut 3/8-16 UNC
38	13000003673-00	1	Belt Idler Kit

MAIN FRAME - HD10-59



PARTS

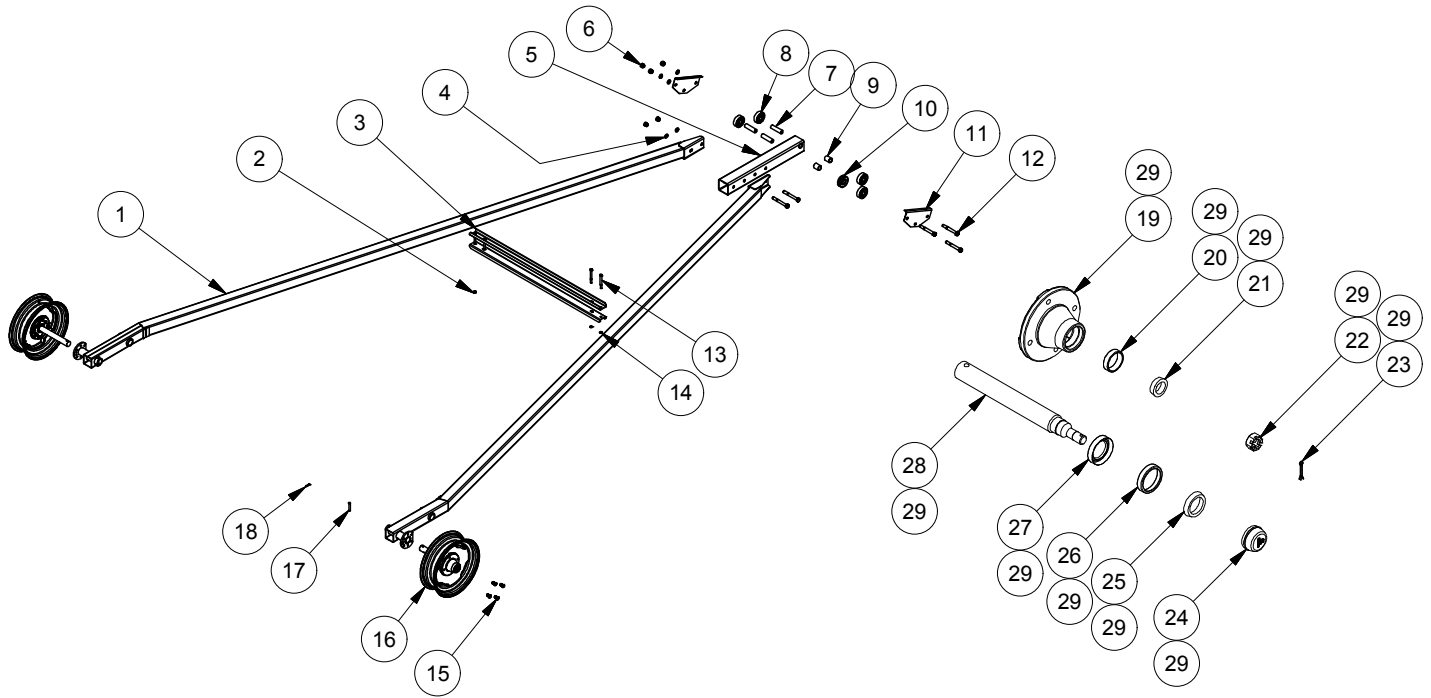
MAIN FRAME - HD10-59



HD10-59			
REF #	PART #	QUANTITY	DESCRIPTION
1	13000002582-00	2	Frame Main
2	13-0729-00010	1	Nylon Locknut 5/8
3	13000001017-00	1	Cable Roller
4	13-0702-07064	10	Hex Cap Screw - 7/16-14 UNC - 4
5	13-0712-06016	4	Flange Bolt 3/8-16 UNC x 1
6	13000001681-00	1	K-2550 Fulton Winch
7	13-0702-06144	2	Hex Cap Screw - 3/8-16 UNC - 9
8	13000001926-00	2	Zerk Bolt Assembly
9	13-0734-00012	2	Spring Lock Washers - 3/4
10	19395	2	Flat Washer - 3/4
11	13-0734-00008	10	Spring Lock Washers - 1/2
12	13000001924-00	1	Battery Top Mount
13	13-0725-00008	8	Hex Nut - 1/2
14	13000002021-00	1	Main Axle Frame
15	13-0702-06040	2	Hex Cap Screw - 3/8-16 UNC - 2.5
16	13-0734-00006	4	Spring Lock Washers - 3/8
17	13-0725-00006	4	Hex Nut - 3/8
18	13000003121-00	2	Flat Washer
19	13-0702-08016	2	Hex cap Screw - 1/2-13 UNC - 1
20	13000001524-01	1	Bracket Cable Roller
21	13-0702-10040	1	Hex Cap Screw - 5/8-11 UNC - 2.5
22	13000001381-00	1	Cable Roller Bushing
23	13000002329-00	1	Brace - Main Frame - HD10
24	13-0725-00007	10	Hex Nut - 7/16
25	13-0734-00007	10	Spring Lock Washers - 7/16
26	13000001523-00	1	Winch Plate
27	13000001923-00	1	Battery Mount Base- 10"
28	13000002405-00	2	Axle Brace
29	13-0702-08072	8	Hex Cap Screw - 1/2-13 UNC - 4.5
30	13-0702-08056	1	Hex Cap Screw - 1/2-13 UNC - 3.5
31	13000002407-00	1	Spacer- Belt Idler
32	13000002704-00	1	Belt Idler Flanged
33	13-0731-00008	1	Flange Nut 1/2-13 UNC
34	13-0709-06016	2	Carriage Bolt - 3/8-16 UNC - 1
35	13000003359-00	1	Belt Idler Brace
36	13000003360-00	1	Bracket Channel
37	13-0731-00006	6	Flange Nut 3/8-16 UNC
38	13000003673-00	1	Belt Idler Kit

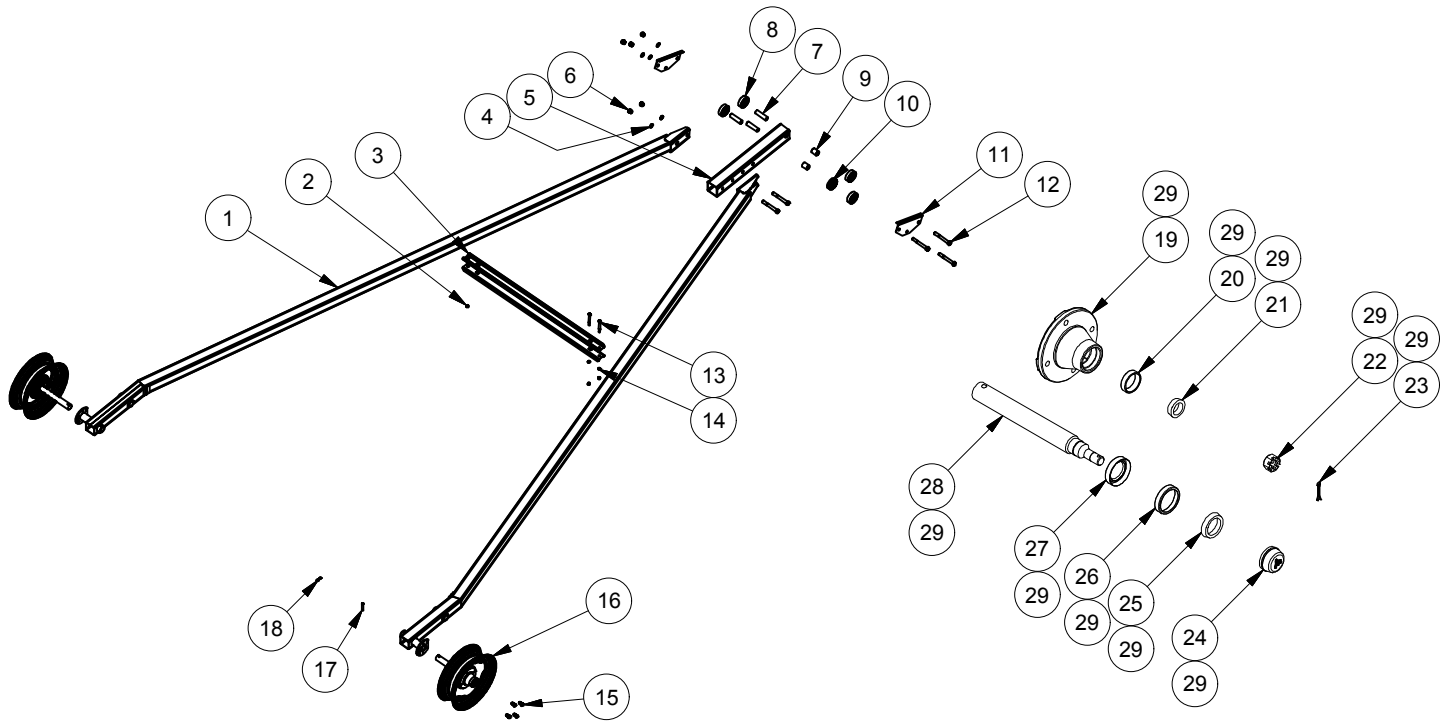
PARTS

A FRAME - HD10-46



HD10			
REF #	PART #	QUANTITY	DESCRIPTION
1	13000005326-00	2	A-Frame - HD10-46
2	13-0725-00006	4	Hex Nut 3/8-16
3	13000001367-00	2	Cross Brace
4	13-0734-00010	5	Spring Lock Washer 5/8
5	13000005329-00	1	Gooseneck
6	13072900010	5	NUT, HEX, NYLOCK5/8-11 UNC Steel, Mild
7	13000001614-00	3	Bushing - Trolley
8	13000001016-00	4	Track Roller
9	13000001615-00	2	Track Roller Spacer
10	13000001017-00	1	Cable Roller
11	13000001366-00	2	Trolley Guide
12	13-0702-10080	5	Hex Cap Screw 5/8-11 UNC - 5
13	13-0702-06064	4	Hex Cap Screw 3/8-16 UNC - 4
14	13-0734-00006	4	Spring Lock Washer 3/8
15	13000001012-00	8	1/2 x 7/8 Wheel Stud
16	13000001223-00	2	15" WHEEL
17	13000001387-00	2	Clevis Pin 3/8 x 2-3/8
18	13-0737-04032	2	Cotter Pin - 1/8 x 1
19	13000001007-00	2	Hub
20	13000001008-00	2	Bearing Tapered Roller (Cup)
21	13000001009-00	2	Bearing Tapered Roller Cone (Inner)
22	13000001010-00	2	Nut UNF Hex - 3/4
23	13-0737-05040	2	Cotter Pin - 5/32 x 1-1/4
24	13000001011-00	2	Dust Cap
25	13000001005-00	2	Bearing Tapered Roller Cone (Outer)
26	13000001004-00	2	Grease Seal
27	13000001006-00	2	Bearing Tapered Roller (Cup)
28	13000001670-00	2	Spindle - 1-1/2 x 13
29	13000002553-00	2	Complete Hub c/w Spindle & Bearings

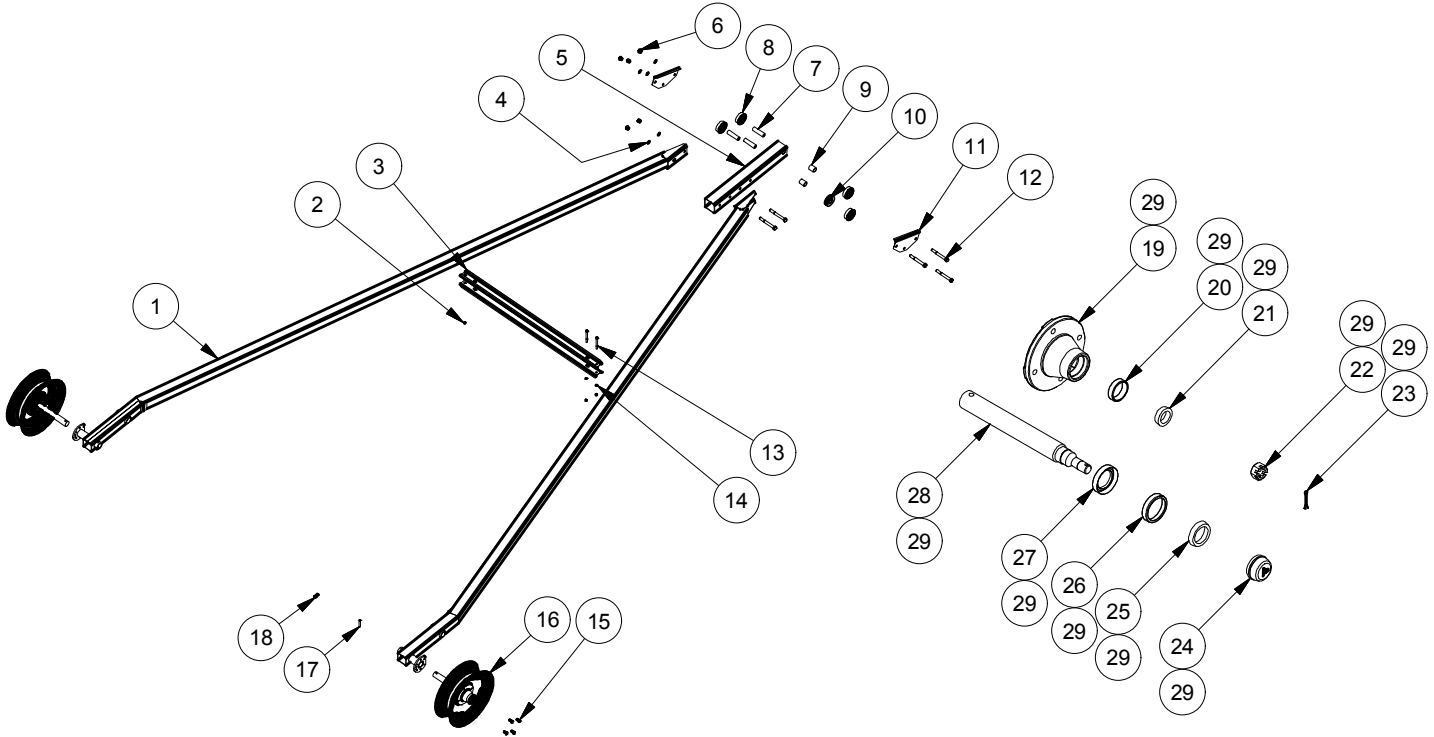
A FRAME - HD10-53



HD10			
REF #	PART #	QUANTITY	DESCRIPTION
1	13000005327-00	2	A-Frame - HD10-53
2	13-0725-00006	4	Hex Nut 3/8-16
3	13000001367-00	2	Cross Brace
4	13-0734-00010	5	Spring Lock Washer 5/8
5	13000005329-00	1	Gooseneck
6	13072900010	5	NUT, HEX, NYLOCK5/8-11 UNC Steel, Mild
7	13000001614-00	3	Bushing - Trolley
8	13000001016-00	4	Track Roller
9	13000001615-00	2	Track Roller Spacer
10	13000001017-00	1	Cable Roller
11	13000001366-00	2	Trolley Guide
12	13-0702-10080	5	Hex Cap Screw 5/8-11 UNC - 5
13	13-0702-06064	4	Hex Cap Screw 3/8-16 UNC - 4
14	13-0734-00006	4	Spring Lock Washer 3/8
15	13000001012-00	8	1/2 x 7/8 Wheel Stud
16	13000001223-00	2	15" WHEEL
17	13000001387-00	2	Clevis Pin 3/8 x 2-3/8
18	13-0737-04032	2	Cotter Pin - 1/8 x 1
19	13000001007-00	2	Hub
20	13000001008-00	2	Bearing Tapered Roller (Cup)
21	13000001009-00	2	Bearing Tapered Roller Cone (Inner)
22	13000001010-00	2	Nut UNF Hex - 3/4
23	13-0737-05040	2	Cotter Pin - 5/32 x 1-1/4
24	13000001011-00	2	Dust Cap
25	13000001005-00	2	Bearing Tapered Roller Cone (Outer)
26	13000001004-00	2	Grease Seal
27	13000001006-00	2	Bearing Tapered Roller (Cup)
28	13000001670-00	2	Spindle - 1-1/2 x 13
29	13000002553-00	2	Complete Hub c/w Spindle & Bearings

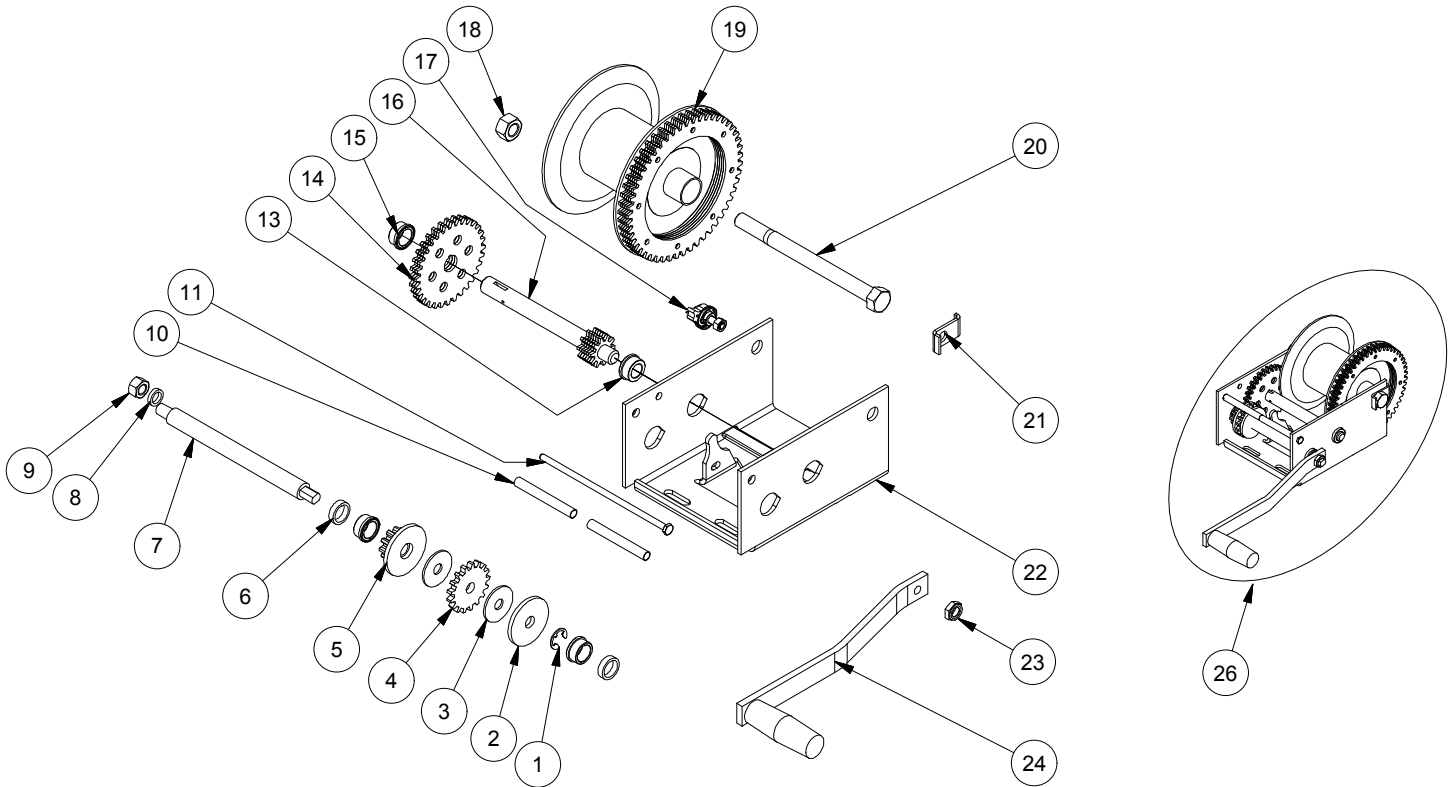
PARTS

A FRAME - HD10-59



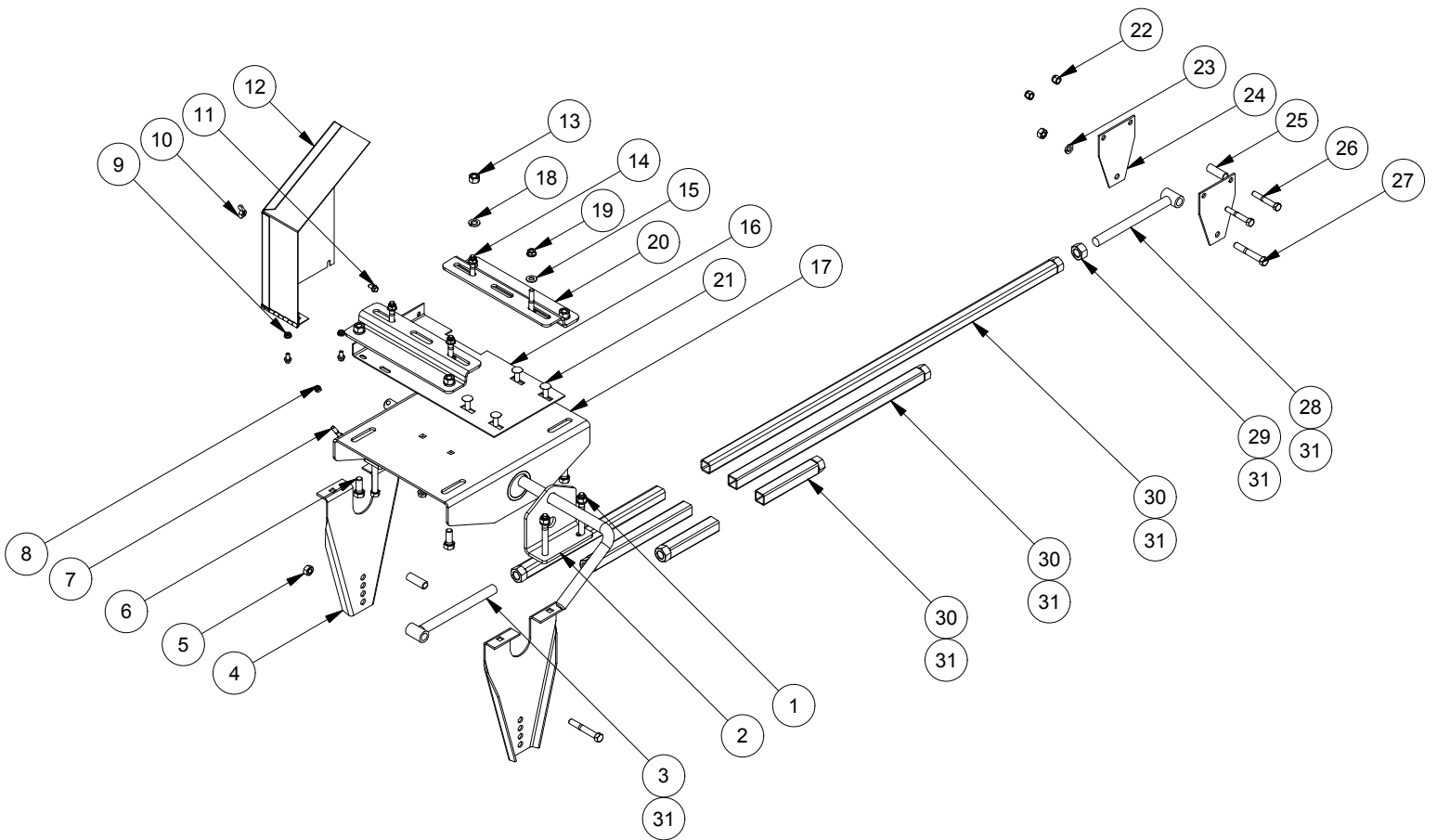
HD10			
REF #	PART #	QUANTITY	DESCRIPTION
1	13000005328-00	2	A-Frame - HD10-59
2	13-0725-00006	4	Hex Nut 3/8-16
3	13000001367-00	2	Cross Brace
4	13-0734-00010	5	Spring Lock Washer 5/8
5	13000005329-00	1	Gooseneck
6	13072900010	5	NUT, HEX, NYLOCK5/8-11 UNC Steel, Mild
7	13000001614-00	3	Bushing - Trolley
8	13000001016-00	4	Track Roller
9	13000001615-00	2	Track Roller Spacer
10	13000001017-00	1	Cable Roller
11	13000001366-00	2	Trolley Guide
12	13-0702-10080	5	Hex Cap Screw 5/8-11 UNC - 5
13	13-0702-06064	4	Hex Cap Screw 3/8-16 UNC - 4
14	13-0734-00006	4	Spring Lock Washer 3/8
15	13000001012-00	8	1/2 x 7/8 Wheel Stud
16	13000001223-00	2	15" WHEEL
17	13000001387-00	2	Clevis Pin 3/8 x 2-3/8
18	13-0737-04032	2	Cotter Pin - 1/8 x 1
19	13000001007-00	2	Hub
20	13000001008-00	2	Bearing Tapered Roller (Cup)
21	13000001009-00	2	Bearing Tapered Roller Cone (Inner)
22	13000001010-00	2	Nut UNF Hex - 3/4
23	13-0737-05040	2	Cotter Pin - 5/32 x 1-1/4
24	13000001011-00	2	Dust Cap
25	13000001005-00	2	Bearing Tapered Roller Cone (Outer)
26	13000001004-00	2	Grease Seal
27	13000001006-00	2	Bearing Tapered Roller (Cup)
28	13000001670-00	2	Spindle - 1-1/2 x 13
29	13000002553-00	2	Complete Hub c/w Spindle & Bearings

FULTON K 2550 BRAKE WINCH



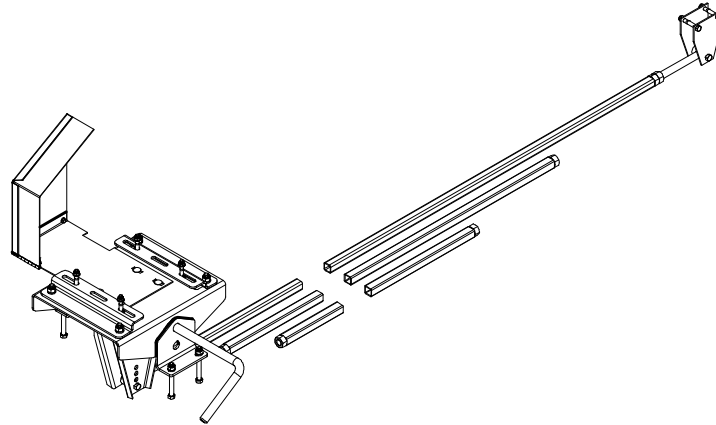
HD10			
REF #	PART #	QUANTITY	DESCRIPTION
1	-	1	E-Clip
2	13000003142-00	1	Shaft Brake Disc
3	13000001948-00	2	Friction Disc
4	13000001946-00	1	Ratchet Gear
5	13000001947-00	1	Pinion & Disc
6	-	2	Output Washer
7	13000002948-00	1	Input Shaft
8	-	1	Washer
9	-	1	Input Shaft Lock Nut
10	-	2	Frame Spacer (Not Available to Order)
11	-	1	Frame Spacer Bolt
13	13000001939-00	1	Bushing
14	13000001946-00	1	Ratchet Gear
15	13000001937-00	3	Bushing
16	13000001944-00	1	Output Shaft
17	13000001712-00	1	Pawl and Spring Kit
18	-	1	Drum Lock Nut
19	-	1	Drum Assembly C/W Spacer
20	-	1	Drum Bolt
21	-	1	Keeper (Not Available to Order)
22	-	1	Frame (Not Available to Order)
23	-	1	Handle Lock Nut
24	13000001711-00	1	Handle
25	13000001681-00	-	Complete Winch Assembly
26	13-0725-00004	1	Hex Nuts (Inch Series) Hex Nut

MOTOR MOUNT ASSEMBLY



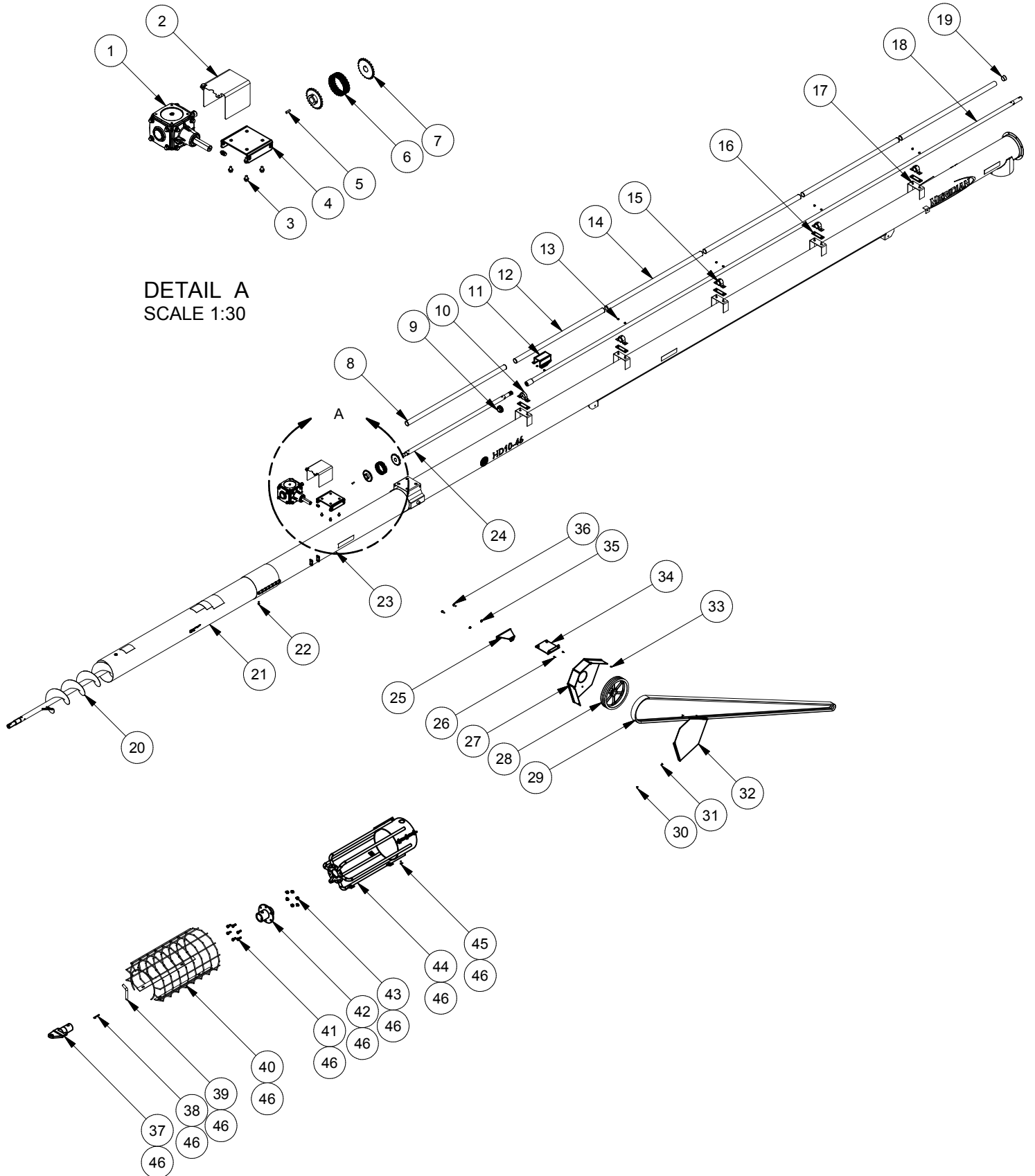
PARTS

MOTOR MOUNT ASSEMBLY



HD10			
REF #	PART #	QUANTITY	DESCRIPTION
1	13-0702-07064	4	Hex Cap Screw 7/16-14 UNC - 4
2	13000001588-00	2	Pivot Bracket
3	13000001107-00	1	Screw Leveling Bar Adjustable - LH
4	13000001590-00	2	Lower Leveling Bar Bracket
5	13-0725-00007	6	Hex Nut 7/16-14
6	13-0702-08020	4	Hex Cap Screw 1/2-13 UNC - 1.25
7	13-0702-04024	1	Hex Cap Screw 1/4-20 UNC - 1.5
8	13-0729-00004	1	Nylon Locknut 1/4-20
9	13-0731-00004	2	Flange Nut 1/4-20 UNC
10	13-0732-00004	1	Wing Nut 1/4-20
11	13-0712-04008	3	Flange Bolt 1/4-20 UNC x 0.5
12	13000002687-00	1	Guard Pulley
13	13-0725-00008	4	Hex Nut 1/2-13
14	13-0702-06032	4	Hex Cap Screw 3/8-16 UNC - 2
15	13-0736-00006	4	Washer 3/8
16	13000002686-00	1	Pully Guard Base
17	13000001587-00	1	Motor Mount
18	13-0734-00008	4	Spring Lock Washer 1/2
19	13-0731-00006	8	Flange Nut 3/8-16 UNC
20	13000002864-00	2	Motor Mount Bracket
21	13-0709-06016	4	Carriage Bolt 3/8-16 UNC - 1
22	13-0729-00006	2	Nylon Locknut 3/8-16
23	13-0734-00007	6	Spring Lock Washer 7/16
24	13000003106-00	2	Upper Leveling Bracket
25	13000001106-00	2	Leveling Bar Bushing
26	13-0702-06040	2	Hex Cap Screw 3/8-16 UNC - 2.5
27	13-0702-07048	2	Hex Cap Screw 7/16-14 UNC - 3
28	13000001114-00	1	Upper Leveling Bar
29	13-0725-00012	1	Hex Nut 3/4-10
30	13000001451-00	1	Leveling Bar - HD10-46
30	13000001452-00	1	Leveling Bar - HD10-53
30	13000001453-00	1	Leveling Bar - HD10-59
31	13140014000-00	1	Leveling Bar Assembly - HD10-46 (Items 3, 28, 29, 30)
31	13160016000-00	1	Leveling Bar Assembly - HD10-53 (Items 3, 28, 29, 30)
31	13180018000-00	1	Leveling Bar Assembly - HD10-59 (Items 3, 28, 29, 30)

TUBE ASSEMBLY - HD10-46



DETAIL A
SCALE 1:30

PARTS

TUBE ASSEMBLY - HD10-46

HD10-46			
REF #	PART #	QUANTITY	DESCRIPTION
1	13000001540-00	1	Gear Box
2	13000001555-00	1	Plate Guard Gear Box
3	13-0712-08012	7	Flange Bolt 1/2-13 UNC x 0.75
4	13000001541-00	1	Gear Box Bolt On Plate
5	13000003540-00	2	Keystock
6	13000001542-00	1	Coupler Chain
7	13000001545-00	2	Coupling Sprocket - 50B24 - 1-3/8"
8	13000001560-00	1	Drive Shaft Guard
9	13000001409-00	1	Bearing
10	13000001410-00	1	Split Bearing Housing
11	13000001704-00	1	Drive Shaft Bearing Guard
12	13000002353-00	1	Drive Shaft Guard
13	13-0731-00006	34	Flange Nut 3/8-16 UNC
14	13000001559-00	4	Drive Shaft Guard
15	13000001493-00	4	Split Pillow Block Bearing
16	13000003535-00	5	Shim
17	13-0709-06016	10	Carriage Bolt 3/8-16 UNC - 1
18	13000001546-00	1	Drive Shaft - Top
19	13000001564-00	12	Drive Shaft Guard - Nylon Bushing
20	13000003643-00	1	Flight
21	13000003642-00	1	Tube Bottom
22	13-0712-06016	20	Flange Bolt 3/8-16 UNC x 1
23	13000003641-00	1	Tube Top
24	13000001547-00	1	Drive Shaft - Bottom
25	13000001558-00	1	Lower Pulley Guard Bracket
26	13-0712-04010	3	Flange Bolt 1/4-20 UNC x 0.625
27	13000003340-00	1	Guard Pulley
28	13000003338-00	1	Triple Groove Sleeve
29	13000001133-03	1	Belt
30	13-0732-00004	1	Wing Nut 1/4-20
31	13-0709-04012	3	Carriage Bolt - 1/4-20 x 3/4
32	13000003341-00	1	Guard Cover Assembly
33	13-0731-00004	5	Flange Nut 1/4-20 UNC
34	13000001557-00	1	Upper Pulley G. BR.
35	13-0731-00007	4	Flange Nut 7/16-14 UNC
36	13-0712-07016	4	Flange Bolt 7/16-14 UNC x 1
37	13000001539-00	1	Hitch-Tube
38	13-0739-02040	1	1/8" x 2 1/2" Hair Pin
39	13000001646-00	1	Bent Pull Pin 5/8" x 3"
40	13000001538-00	1	Guard
41	13-0702-06016	6	Hex Cap Screw - 3/8" x 1" - 16
42	13000005028-00	1	Fork End
43	13-0730-00006	6	3/8-16 stover
44	13000005027-00	1	Fork Intake
45	13-0709-06012	4	Carriage Bolt - 3/8-16 UNC - 0.75
46	13000001534-00	1	Intake Complete

TUBE ASSEMBLY - HD10-53

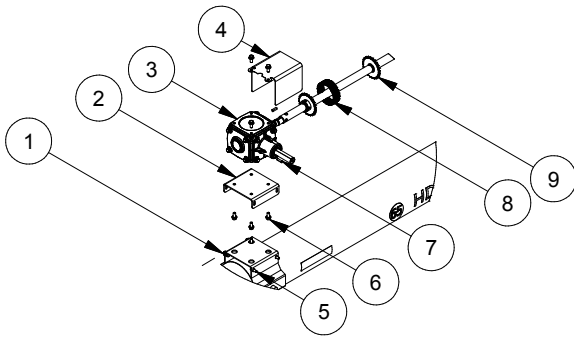


FIGURE A

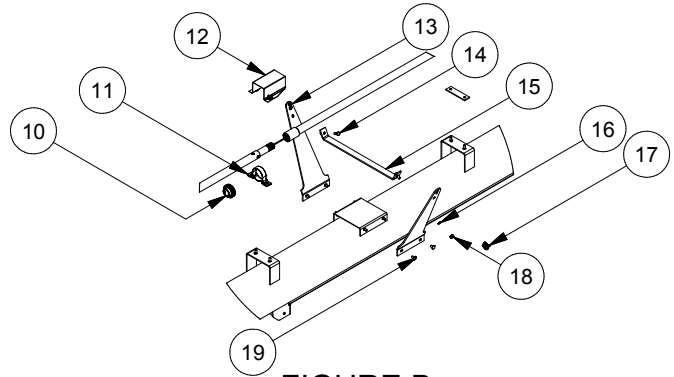
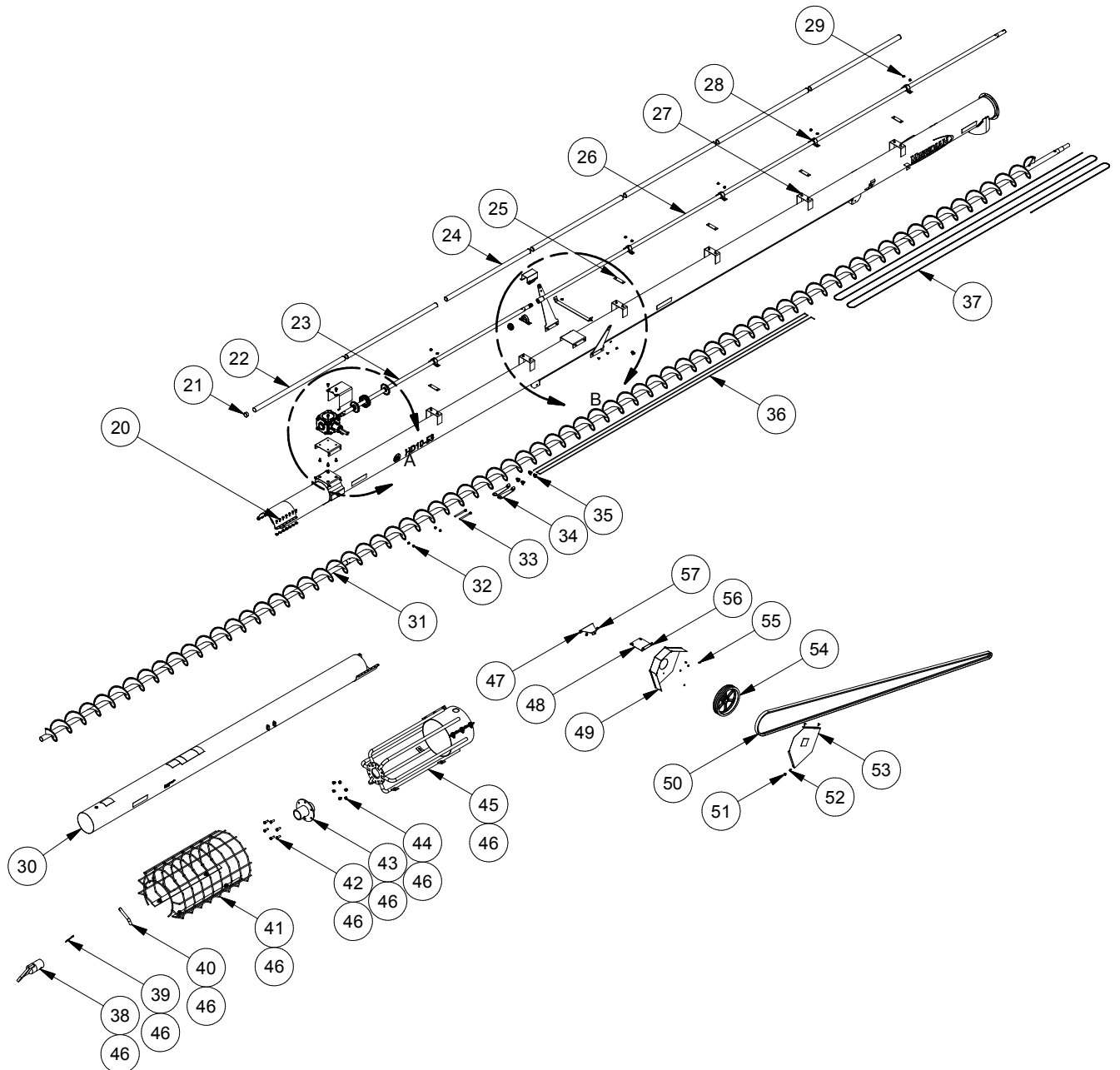


FIGURE B



PARTS

TUBE ASSEMBLY - HD10-53

HD10-53			
REF #	PART #	QUANTITY	DESCRIPTION
1	13000003648-00	1	Tube Top
2	13000001541-00	1	Gear Box Bolt on Plate
3	13000001540-00	1	Gear Box
4	13000001555-00	1	Plate Guard Gear Box
5	13-0712-07016	4	Flange Bolt 7/16-14 UNC x 1
6	13-0712-08016	7	Flange Bolt 1/2-13 UNC x 1
7	13000003540-00	2	Keystock 5/16 x 5/16 x 1 3/8
8	13000001542-00	1	Coupler Chain
9	13000001545-00	2	Coupling Sprocket - 50B24 - 1-3/8"
10	13000001409-00	1	Bearing 1 3/8
11	13000001410-00	1	Pillow Block Bearing Housing
12	13000001704-00	1	Drive Shaft Bearing Guard
13	13000001443-00	2	Raw - Truss Riser
14	13-0702-07016	2	Hex Cap Screw 7/16-14 UNC - 1
15	13000003102-00	1	Truss Brace
16	13-0734-00007	2	Spring Lock Washer
17	13000002433-00	2	Cable Clamp - 5/16"
18	13-0725-00007	2	Hex Nut 7/16-14
19	13-0709-06012	8	Carriage Bolt 3/8-16 x 0.75
20	13-0712-06016	20	Flange Bolt 3/8-16 UNC - 1
21	13000001564-00	14	Drive Shaft Guard - Nylon Bushing
22	13000001559-00	6	Drive Shaft Guard - Top Section
23	13000001548-00	1	Drive Shaft - Bottom
24	13000002353-00	1	Drive Shaft Guard - Middle Section
25	13000003535-00	5	Shim
26	13000001546-00	1	Drive Shaft - Top
27	13-0709-06016	12	Carriage Bolt 3/8-16 x 1
28	13000001493-00	5	Split Pillow Block Bearing
29	13-0731-00006	40	Flange Nut 3/8-16 UNC
30	13000003649-00	1	Tube Bottom
31	13000003650-00	1	Flight
32	13-0725-00008	4	Hex Nut 1/2-13
33	13000001447-00	2	Zinc Plated Eye Bolt
34	13000001435-00	2	Truss Cable Anchor
35	13000001060-00	4	Cable Clamp - 1/4
36	13000001425-00	1	Truss/Lift Cable
37	13000001445-00	1	Truss/Lift Cable
38	13000001539-00	1	Hitch-Tube
39	13-0739-02040	1	1/8" x 2 1/2" Hair Pin
40	13000001646-00	1	Bent Pull Pin 5/8" x 3"
41	13000001538-00	1	Guard
42	13-0702-06016	6	Hex Cap Screw - 3/8" x 1" - 16
43	13000005028-00	1	Fork End
44	13-0730-00006	6	3/8-16 stover
45	13000005027-00	1	Fork Intake
46	13000001534-00	1	Intake Complete
47	13000001558-00	1	Lower Puller Guard Bracket
48	13000001557-00	1	Upper Pulley Guard Bracket
49	13000003340-00	1	Guard Pulley
50	13000001432-3	1	Belt - B-310 Banded Triple
51	13-0732-00004	1	Wing Nut 1/4-20
52	13-0709-04012	3	Carriage Bolt 1/4-20 x 0.75
53	13000003341-00	1	Guard Cover Assembly
54	13000003338-00	1	Triple Groove Sleeve
55	13-0731-00004	5	Flange Nut 1/4-20 UNC
56	13-0712-04010	3	Flange Bolt 1/4-21 UNC - 0.625
57	13-0731-00007	4	Flange Nut 7/16-14 UNC

TUBE ASSEMBLY - HD10-59

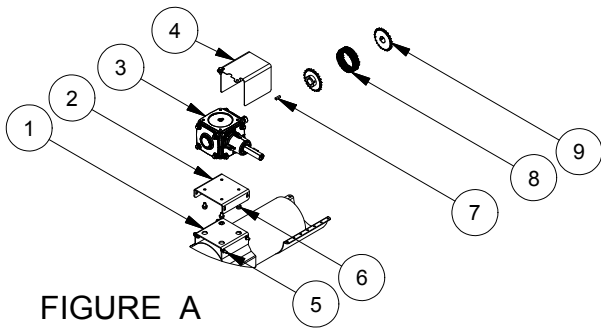


FIGURE A

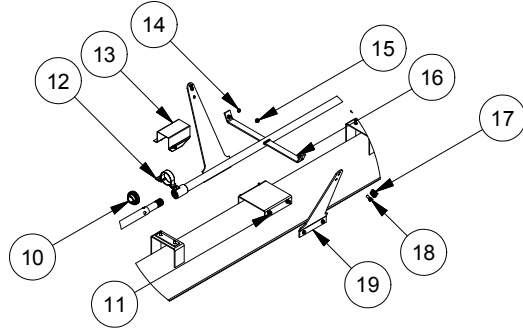
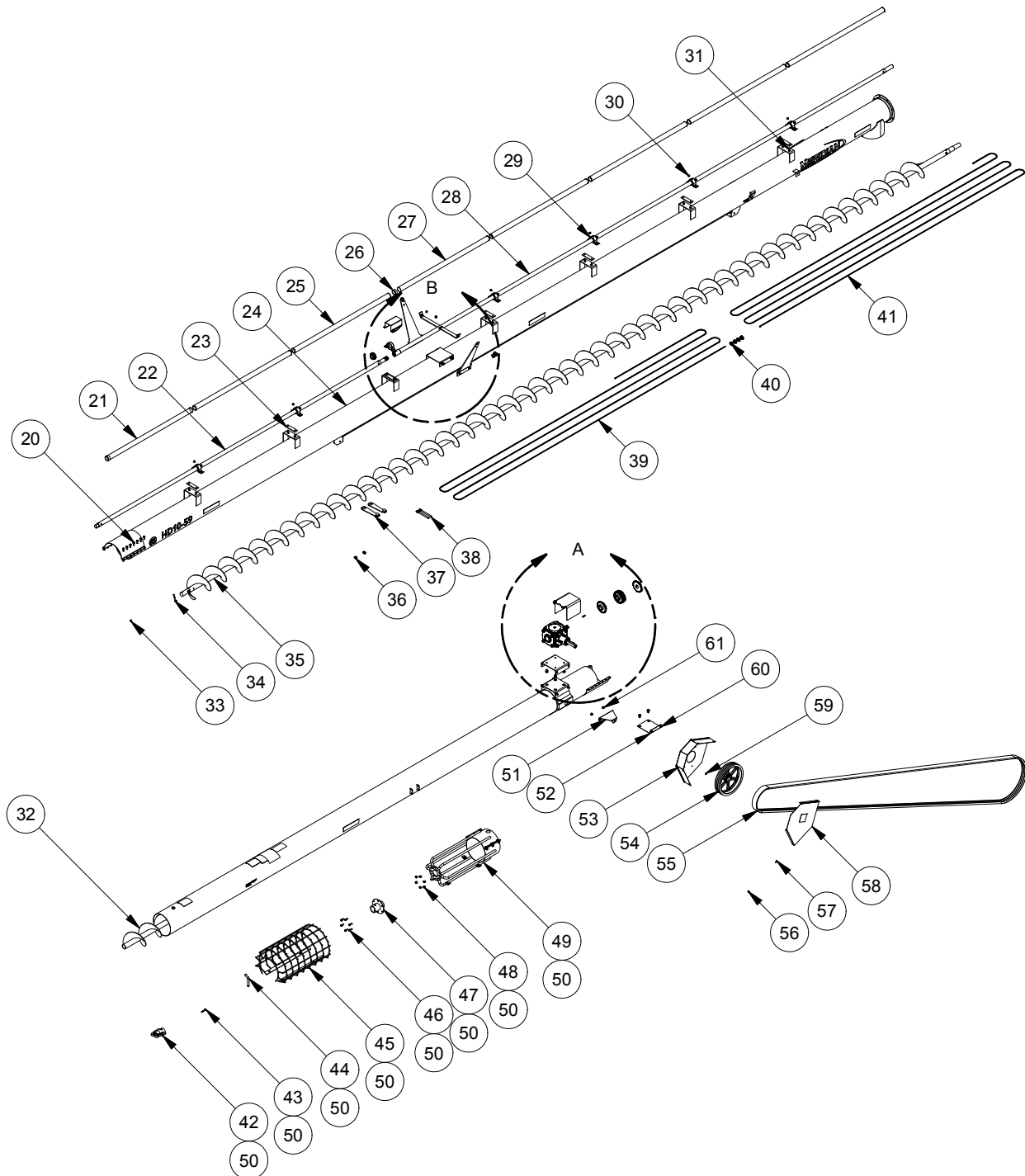


FIGURE B

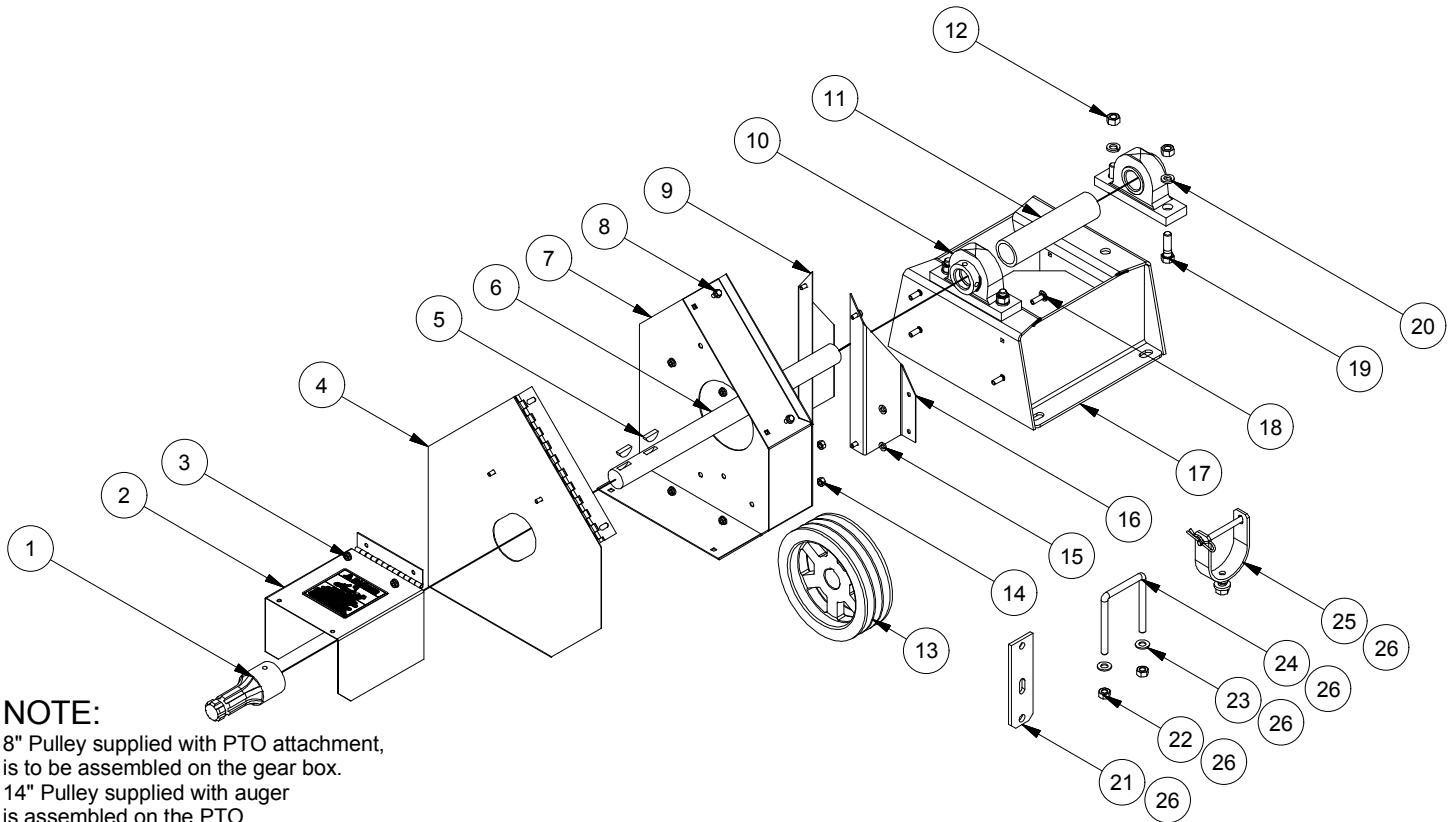


PARTS

TUBE ASSEMBLY - HD10-59

HD10-59			
REF #	PART #	QUANTITY	DESCRIPTION
1	13000003655-00	1	Tube Bottom
2	13000001541-00	1	Raw-Gear Box Bolt on Plate
3	13000001540-00	1	Gear Box
4	13000001555-00	1	Plate Guard Gear Box
5	13-0712-07016	4	Flange Bolt 7/16-14 UNC x 1
6	13-0712-08012	7	Flange Bolt 1/2-13 UNC x 0.75
7	13000003540-00	2	Keystock 5/16 x 5/16 x 1 3/8
8	13000001542-00	1	Coupler Chain
9	13000001545-00	2	Coupling Sprocket - 50B24 - 1-3/8"
10	13000001409-00	1	Bearing 1 3/8
11	13-0709-06012	8	Carriage Bolt - 3/8-16 x 0.75
12	13000001410-00	1	Pillow Block Bearing Housing
13	13000001704-00	1	Brake - Drive Shaft Bearing Guard
14	13-0734-00007	2	Spring Lock Washer - 7/16
15	13-0725-00007	2	Hex Nut - 7/16-14
16	13000003102-00	1	Truss Brace
17	13000002433-00	2	Cable Clamp - 5/16"
18	13-0702-07016	2	Hex Cap Screw 7/16-14 UNC - 1
19	13000001443-00	2	Raw - Truss Riser
20	13-0712-06016	20	Flange Bolt 3/8-16 UNC x 1
21	13000001562-00	1	Drive Shaft Guard Bottom
22	13000001549-00	1	Drive Shaft - Bottom
23	13000003535-00	7	Shim
24	13000003654-00	1	Tube Top
25	13000001559-00	6	Drive Shaft Guard - Top Section
26	13000001564-00	16	Drive Shaft Guard - Nylon Bushing
27	13000002353-00	1	Drive Shaft Guard - Middle Section
28	13000001546-00	1	Drive Shaft - Top
29	13000001493-00	6	Split Pillow Block Bearing
30	13-0731-00006	42	Flange Nut 3/8-16 UNC
31	13-0709-06016	14	Carriage Bolt - 3/8-16 x 1
32	13000003656-00	1	Flight Bottom
33	13-0729-00006	2	Nylon Locknut 3/8-16
34	13-0702-06044	2	Hex Cap Screw 3/8-16 UNC - 2.75
35	13000003645-00	1	Flight Top
36	13-0725-00008	4	Hex Nut - 1/2-13
37	13000001435-00	2	Truss Cable Anchor
38	13000001447-00	2	Zinc Plated Eye Bolt
39	13000001445-00	1	Truss/Lift Cable
40	13000001060-00	4	Cable Clamp - 1/4
41	13000001446-00	1	Truss/Lift Cable
42	13000001539-00	1	Hitch-Tube
43	13-0739-02040	1	1/8" x 2 1/2" Hair Pin
44	13000001646-00	1	Bent Pull Pin 5/8" x 3"
45	13000001538-00	1	Guard
46	13-0702-06016	6	Hex Cap Screw - 3/8" x 1" - 16
47	13000005028-00	1	Fork End
48	13-0730-00006	6	3/8-16 stover
49	13000005027-00	1	Fork Intake
50	13000001534-00	1	Intake Complete
51	13000001558-00	1	Raw-Lower Pulley Guard Bracket
52	13000001557-00	1	Raw-Upper Pulley Guard Bracket
53	13000003340-00	1	Weldment-Guard Pulley
54	13000003338-00	1	Triple Groove Sleeve
55	13000001433-3	1	Belt - B-355 Banded Triple
56	13-0732-00004	1	Wing Nut 1/4-20
57	13-0709-04012	3	Carriage Bolt - 1/4-20 x 0.75
58	13000003341-00	1	Guard Cover Assembly
59	13-0731-00004	5	Flange Nut 1/4-20 UNC
60	13-0712-04010	3	Flange Bolt 1/4-20 UNC x 0.625
61	13-0731-00007	4	Flange Nut 7/16-14 UNC

PTO ATTACHMENT

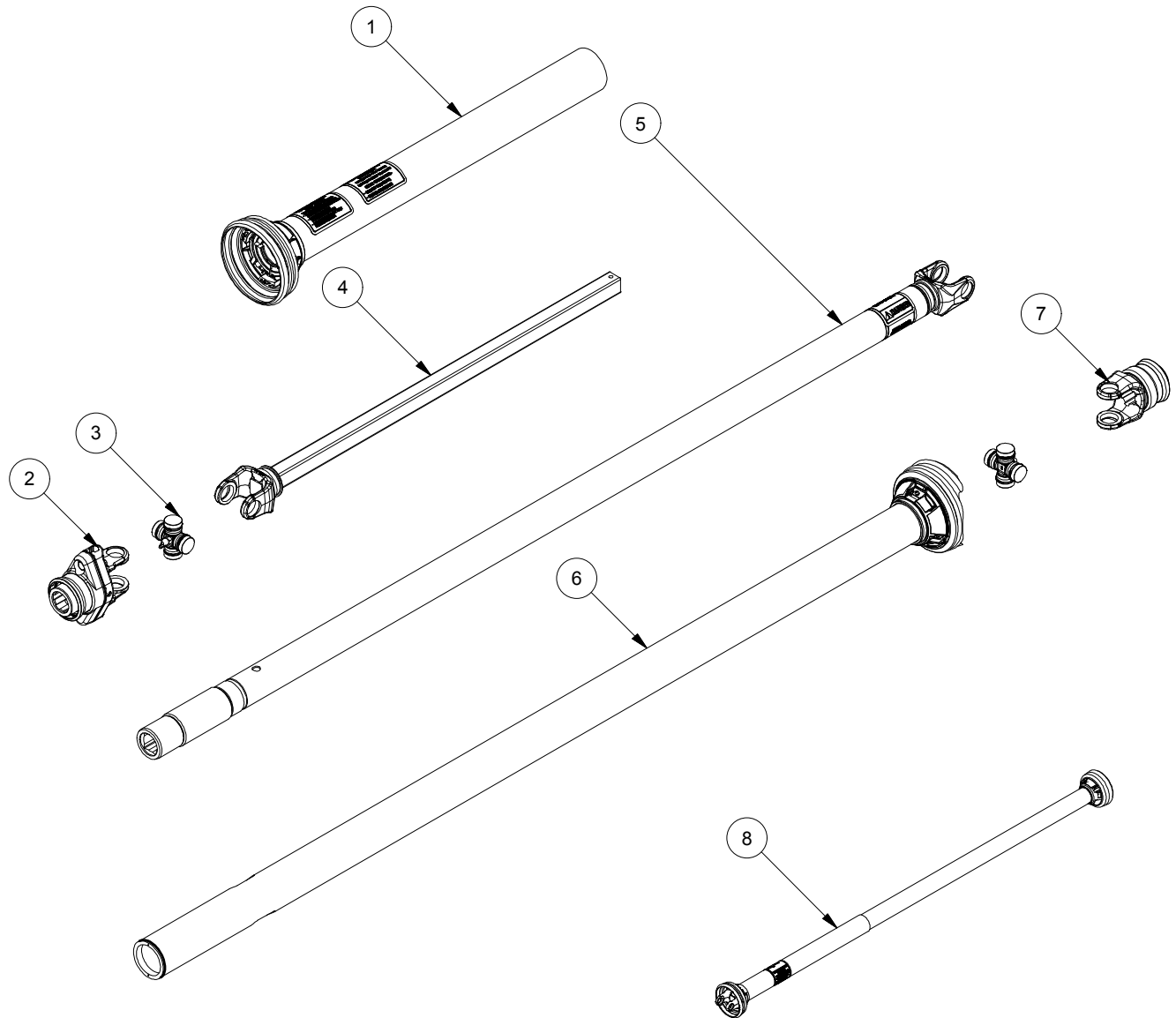
**NOTE:**

8" Pulley supplied with PTO attachment,
is to be assembled on the gear box.

14" Pulley supplied with auger
is assembled on the PTO.

HD10			
REF #	PART #	QUANTITY	DESCRIPTION
1	13000001581-00	1	PTO Splined Stub
2	13000001349-00	1	PTO Spline Guard
3	13-0731-00004	8	Flange Nut 1/4-20 UNC
4	13000003342-00	1	PTO Guard - Front
5	13-0740-1009	2	5/16" x 1 1/8" Woodruff Key
6	13000001579-00	1	PTO Shaft
7	13000003340-00	1	PTO Guard - Back
8	13-0712-04008	8	Flange Bolt 1/4-20 UNC x 0.5"
9	13000001582-00	1	Mounting Bracket - Pulley Guard - LH
10	13000001577-00	2	Bearing Pillow Block 1 3/8"
11	13000001580-00	1	Drive Shaft Guard
12	13-0725-00008	4	Hex Nut 1/2-13 UNC
13	13000001586-00	1	Triple Groove V-Pulley - 8"
14	13-0725-00005	4	Hex Nut 5/16-18 UNC
15	13-0734-00005	4	Spring Lock Washer 5/16"
16	13000001583-00	1	Mounting Bracket - Pulley Guard - RH
17	13000001576-00	1	PTO Box
18	13-0709-05016	4	Carriage Bolt 5/16-18 UNC - 1"
19	13-0702-08028	4	Hex Cap Screw 1/2-13 UNC - 1.75"
20	13-0734-00008	4	Spring Lock Washer 1/2"
21	13000002619-00	1	PTO Shaft Holder Base
22	13-0725-00007	2	Hex Nut 7/16 - 14
23	13-0734-00007	2	Spring Lock Washer 7/16"
24	13000003143-00	1	U-Bolt 7/16" x 2.5" ID x 4" Long
25	13000002618-00	1	PTO Bracket Holder
26	13000002344-00	1	PTO Bracket Kit

PTO SHAFT



HD10			
REF #	PART #	QUANTITY	DESCRIPTION
1	13000001999-00	1	Outer PTO Shield
2	13000001987-00	1	PTO Ball Shear Assembly
3	13000001274-00	2	Cross & Bearing Kit
4	13000001996-00	1	Yoke & Male Shaft
5	13000002003-00	1	Yoke & Female Tube
6	13000002001-00	1	Inner PTO Shield
7	13000002004-00	1	Quick Disconnect Yoke
8	13000002036-00	-	Complete PTO Shaft

GENERAL PARTS

PART NUMBER	DESCRIPTION
13000002949-00	Red Spray Paint
13000004846-00	Dark Grey Spray Paint
13000001920-00	10" Cupped Repair Flight w/ Shaft and Stub - 1 3/4"
13000001570-00	10" Cupped Flight / 2 Feet - 2" OD Shaft
13000001648-00	10" Flight Shaft Core / Foot - 2" OD
13000001530-02	10" Flight Shaft Stub - Joiner - 1 3/4" OD Shaft
13000001530-03	10" Flight Shaft Stub - 1 3/4" OD Shaft
13000003866-00	10" Helix - Cup / Foot
13000001546-02	Flight Shaft Stub - Head - 1 1/2" OD
13000001547-03	Short Stub - Drive - 1 3/8" OD
13000001546-03	10" Splined Coupling
13000001547-02	10" Splined Shaft
13000001647-00	Drive Shaft / Foot - 1 5/8" OD
13000001571-00	10" Tubing / Foot
13000001526-13	10" Angle Flange
13000003698-00	Decal - HD10-46
13000003699-00	Decal - HD10-53
13000003700-00	Decal - HD10-59
13000003685-00	Decal - Meridian
13000001653-00	Decal - Caution (Large)
13000001654-00	Decal - Warning
13000001655-00	Decal - Danger - Upending Hazard
13000001656-00	Decal - Danger - Electrocution Hazard
13000001657-00	Decal - Danger - Rotating Flighting
13000001658-00	Decal - Warning - Mover Part Hazard
13000001659-00	Decal - Caution (Small)
13000001660-00	Decal - Rotating Drive Line
13000002901-00	Reflector Yellow
13000002900-00	Reflector Red
13000004971-00	Kit - Bolt On Repair Band 10in

INDEX

Part #	Page	Ref #	Part #	Page	Ref #	Part #	Page	Ref #
11-0740-01009	C16	21	13000001223-00	C11	16	13000001534-00	C20	51
11-0740-01009	C18	30	13000001274-00	C22	3	13000001538-00	C16	41
11-0740-01009	C20	32	13000001349-00	C21	2	13000001538-00	C18	42
13000001004-00	C9	26	13000001366-00	C9	11	13000001538-00	C20	46
13000001004-00	C10	26	13000001366-00	C10	11	13000001539-00	C16	38
13000001004-00	C11	26	13000001366-00	C11	11	13000001539-00	C18	39
13000001005-00	C9	25	13000001367-00	C9	3	13000001539-00	C20	43
13000001005-00	C10	25	13000001367-00	C10	3	13000001540-00	C16	1
13000001005-00	C11	25	13000001367-00	C11	3	13000001540-00	C18	3
13000001006-00	C9	27	13000001381-00	C4	22	13000001540-00	C20	3
13000001006-00	C10	27	13000001381-00	C6	22	13000001541-00	C16	4
13000001006-00	C11	27	13000001381-00	C8	22	13000001541-00	C18	2
13000001007-00	C9	19	13000001387-00	C9	17	13000001541-00	C20	2
13000001007-00	C10	19	13000001387-00	C10	17	13000001542-00	C16	6
13000001007-00	C11	19	13000001387-00	C11	17	13000001542-00	C18	8
13000001008-00	C9	20	13000001409-00	C16	10	13000001542-00	C20	8
13000001008-00	C10	20	13000001409-00	C18	10	13000001545-00	C16	7
13000001008-00	C11	20	13000001409-00	C20	10	13000001545-00	C18	9
13000001009-00	C9	21	13000001410-00	C16	11	13000001545-00	C20	9
13000001009-00	C10	21	13000001410-00	C18	11	13000001546-00	C16	19
13000001009-00	C11	21	13000001410-00	C20	12	13000001546-00	C18	26
13000001010-00	C9	22	13000001425-00	C18	37	13000001546-00	C20	28
13000001010-00	C10	22	13000001432-3	C18	51	13000001547-00	C16	9
13000001010-00	C11	22	13000001433-3	C20	56	13000001548-00	C18	23
13000001011-00	C9	24	13000001435-00	C18	35	13000001549-00	C20	22
13000001011-00	C10	24	13000001435-00	C20	38	13000001551-00	C1	4
13000001011-00	C11	24	13000001443-00	C18	13	13000001555-00	C16	2
13000001012-00	C9	15	13000001443-00	C20	19	13000001555-00	C18	4
13000001012-00	C10	15	13000001445-00	C18	38	13000001555-00	C20	4
13000001012-00	C11	15	13000001445-00	C20	40	13000001557-00	C16	35
13000001016-00	C9	8	13000001446-00	C20	42	13000001557-00	C18	49
13000001016-00	C10	8	13000001447-00	C18	34	13000001557-00	C20	53
13000001016-00	C11	8	13000001447-00	C20	39	13000001558-00	C16	26
13000001017-00	C4	3	13000001451-00	C14	30	13000001558-00	C18	48
13000001017-00	C6	3	13000001452-00	C14	30	13000001558-00	C20	52
13000001017-00	C8	3	13000001453-00	C14	30	13000001559-00	C16	15
13000001017-00	C9	10	13000001493-00	C16	16	13000001559-00	C18	22
13000001017-00	C10	10	13000001493-00	C18	28	13000001559-00	C20	25
13000001017-00	C11	10	13000001493-00	C20	29	13000001560-00	C16	8
13000001060-00	C18	36	13000001523-00	C4	25	13000001562-00	C20	21
13000001060-00	C20	41	13000001523-00	C6	26	13000001564-00	C16	20
13000001106-00	C14	25	13000001523-00	C8	26	13000001564-00	C18	21
13000001107-00	C14	3	13000001524-01	C4	20	13000001564-00	C20	26
13000001114-00	C14	28	13000001524-01	C6	20	13000001576-00	C21	17
13000001133-03	C16	30	13000001524-01	C8	20	13000001577-00	C21	10
13000001223-00	C9	16	13000001534-00	C16	47	13000001579-00	C21	6
13000001223-00	C10	16	13000001534-00	C18	47	13000001580-00	C21	11

INDEX

Part #	Page	Ref #	Part #	Page	Ref #	Part #	Page	Ref #
13000001581-00	C21	1	13000001743-00	C1	11	13000002553-00	C11	29
13000001582-00	C21	9	13000001747-00	C1	2	13000002579-00	C4	14
13000001583-00	C21	16	13000001923-00	C4	27	13000002580-00	C4	1
13000001586-00	C21	13	13000001923-00	C6	27	13000002581-00	C6	1
13000001587-00	C14	17	13000001923-00	C8	27	13000002582-00	C8	1
13000001588-00	C14	2	13000001924-00	C4	12	13000002618-00	C21	25
13000001590-00	C14	4	13000001924-00	C6	12	13000002619-00	C21	21
13000001614-00	C9	7	13000001924-00	C8	12	13000002686-00	C14	16
13000001614-00	C10	7	13000001926-00	C4	8	13000002687-00	C14	12
13000001614-00	C11	7	13000001926-00	C6	8	13000002864-00	C14	20
13000001615-00	C9	9	13000001926-00	C8	8	13000002948-00	C12	7
13000001615-00	C10	9	13000001937-00	C12	15	13000003102-00	C18	15
13000001615-00	C11	9	13000001939-00	C12	13	13000003102-00	C20	16
13000001619-00	C1	7	13000001944-00	C12	16	13000003106-00	C14	24
13000001626-00	C2	6	13000001946-00	C12	4	13000003121-00	C4	18
13000001627-00	C2	15	13000001947-00	C12	5	13000003121-00	C6	18
13000001628-00	C2	4	13000001948-00	C12	3	13000003121-00	C8	18
13000001629-00	C2	17	13000001987-00	C22	2	13000003142-00	C12	2
13000001630-00	C2	18	13000001996-00	C22	4	13000003143-00	C21	24
13000001632-00	C2	12	13000001999-00	C22	1	13000003231-00	C2	23
13000001633-00	C2	9	13000002001-00	C22	6	13000003336-00	C1	6
13000001634-00	C2	16	13000002003-00	C22	5	13000003338-00	C16	29
13000001635-00	C2	11	13000002004-00	C22	7	13000003338-00	C18	55
13000001636-00	C2	20	13000002020-00	C6	14	13000003338-00	C20	55
13000001637-00	C2	13	13000002021-00	C8	14	13000003339-00	C1	9
13000001638-00	C2	14	13000002036-00	C22	8	13000003340-00	C16	28
13000001639-00	C2	22	13000002329-00	C4	26	13000003340-00	C18	50
13000001640-00	C2	5	13000002329-00	C6	23	13000003340-00	C20	54
13000001641-00	C2	7	13000002329-00	C8	23	13000003340-00	C21	7
13000001642-00	C2	8	13000002341-00	C1	3	13000003341-00	C16	33
13000001643-00	C2	10	13000002344-00	C21	26	13000003341-00	C18	54
13000001646-00	C16	40	13000002353-00	C16	13	13000003341-00	C20	59
13000001646-00	C18	41	13000002353-00	C18	24	13000003342-00	C21	4
13000001646-00	C20	45	13000002353-00	C20	27	13000003359-00	C4	35
13000001670-00	C9	28	13000002403-00	C4	28	13000003359-00	C6	35
13000001670-00	C10	28	13000002404-00	C6	28	13000003359-00	C8	35
13000001670-00	C11	28	13000002405-00	C8	28	13000003360-00	C4	36
13000001672-00	C12	21	13000002407-00	C4	31	13000003360-00	C6	36
13000001681-00	C4	6	13000002407-00	C6	31	13000003360-00	C8	36
13000001681-00	C6	6	13000002407-00	C8	31	13000003535-00	C16	17
13000001681-00	C8	6	13000002408-00	C4	32	13000003535-00	C18	25
13000001681-00	C12	26	13000002408-00	C6	32	13000003535-00	C20	23
13000001704-00	C16	12	13000002408-00	C8	32	13000003540-00	C2	21
13000001704-00	C18	12	13000002433-00	C18	17	13000003540-00	C16	5
13000001704-00	C20	13	13000002433-00	C20	17	13000003540-00	C18	7
13000001711-00	C12	25	13000002553-00	C9	29	13000003540-00	C20	7
13000001712-00	C12	17	13000002553-00	C10	29	13000003641-00	C16	25

INDEX

Part #	Page	Ref #	Part #	Page	Ref #	Part #	Page	Ref #
13000003642-00	C16	23	13-0702-07064	C14	1	13-0712-07016	C18	5
13000003643-00	C16	22	13-0702-08016	C4	19	13-0712-07016	C20	5
13000003645-00	C20	36	13-0702-08016	C6	19	13-0712-08012	C16	3
13000003648-00	C18	1	13-0702-08016	C8	19	13-0712-08012	C20	6
13000003649-00	C18	31	13-0702-08020	C2	1	13-0712-08016	C18	6
13000003650-00	C18	32	13-0702-08020	C14	6	13-0725-00004	C12	12
13000003654-00	C20	24	13-0702-08028	C21	19	13-0725-00005	C21	14
13000003655-00	C20	1	13-0702-08056	C4	30	13-0725-00006	C4	17
13000003656-00	C20	33	13-0702-08056	C6	30	13-0725-00006	C6	17
13000003673-00	C4	38	13-0702-08056	C8	30	13-0725-00006	C8	17
13000003673-00	C6	38	13-0702-08072	C4	29	13-0725-00006	C9	2
13000003673-00	C8	38	13-0702-08072	C6	29	13-0725-00006	C10	2
13000004913-00	C2	3	13-0702-08072	C8	29	13-0725-00006	C11	2
13000005027-00	C16	45	13-0702-10024	C1	1	13-0725-00007	C4	23
13000005027-00	C18	46	13-0702-10040	C4	21	13-0725-00007	C6	24
13000005027-00	C20	50	13-0702-10040	C6	21	13-0725-00007	C8	24
13000005028-00	C16	43	13-0702-10040	C8	21	13-0725-00007	C14	5
13000005028-00	C18	44	13-0702-10080	C9	12	13-0725-00007	C18	18
13000005028-00	C20	48	13-0702-10080	C10	12	13-0725-00007	C20	15
13000005326-00	C9	1	13-0702-10080	C11	12	13-0725-00007	C21	22
13000005327-00	C10	1	13-0706-04008	C1	10	13-0725-00008	C4	13
13000005328-00	C11	1	13-0709-04012	C16	32	13-0725-00008	C6	13
13000005329-00	C9	5	13-0709-04012	C18	53	13-0725-00008	C8	13
13000005329-00	C10	5	13-0709-04012	C20	58	13-0725-00008	C14	13
13000005329-00	C11	5	13-0709-05016	C21	18	13-0725-00008	C18	33
13-0702-04024	C14	7	13-0709-06012	C16	46	13-0725-00008	C20	37
13-0702-06016	C16	42	13-0709-06012	C18	19	13-0725-00008	C21	12
13-0702-06016	C18	43	13-0709-06012	C20	11	13-0725-00010	C9	6
13-0702-06016	C20	47	13-0709-06016	C4	34	13-0725-00010	C10	6
13-0702-06032	C14	14	13-0709-06016	C6	34	13-0725-00010	C11	6
13-0702-06040	C4	15	13-0709-06016	C8	34	13-0725-00012	C14	29
13-0702-06040	C6	15	13-0709-06016	C14	21	13-0729-00004	C14	8
13-0702-06040	C8	15	13-0709-06016	C16	18	13-0729-00006	C14	22
13-0702-06040	C14	26	13-0709-06016	C18	27	13-0729-00006	C20	34
13-0702-06044	C20	35	13-0709-06016	C20	31	13-0729-00010	C4	2
13-0702-06064	C9	13	13-0712-04008	C14	11	13-0729-00010	C6	2
13-0702-06064	C10	13	13-0712-04008	C21	8	13-0729-00010	C8	2
13-0702-06064	C11	13	13-0712-04010	C16	27	13-0730-00006	C16	44
13-0702-06144	C4	7	13-0712-04010	C18	57	13-0730-00006	C18	45
13-0702-06144	C6	7	13-0712-04010	C20	61	13-0730-00006	C20	49
13-0702-06144	C8	7	13-0712-06016	C4	5	13-0731-00004	C14	9
13-0702-07016	C18	14	13-0712-06016	C6	5	13-0731-00004	C16	34
13-0702-07016	C20	18	13-0712-06016	C8	5	13-0731-00004	C18	56
13-0702-07048	C14	27	13-0712-06016	C16	24	13-0731-00004	C20	60
13-0702-07064	C4	4	13-0712-06016	C18	20	13-0731-00004	C21	3
13-0702-07064	C6	4	13-0712-06016	C20	20	13-0731-00006	C4	37
13-0702-07064	C8	4	13-0712-07016	C16	37	13-0731-00006	C6	37

INDEX

Part #	Page	Ref #	Part #	Page	Ref #	Part #	Page	Ref #
13-0731-00006	C6	37	13-0737-05040	C11	23			
13-0731-00006	C8	37	13-0737-05040	C9	23			
13-0731-00007	C16	35	13-0739-02040	C16	38			
13-0731-00007	C18	57	13-0739-02040	C18	39			
13-0731-00007	C20	61	13-0739-02040	C20	43			
13-0731-00008	C4	33	13-0740-01009	C21	5			
13-0731-00008	C6	33	13-0740-01210	C1	8			
13-0731-00008	C8	33	13-0740-01210	C2	19			
13-0731-00010	C1	5	13140014000-00	C14	31			
13-0732-00004	C14	10	13160016000-00	C14	31			
13-0732-00004	C16	30	13180018000-00	C14	31			
13-0732-00004	C18	51						
13-0732-00004	C20	56						
13-0734-00005	C21	15						
13-0734-00006	C10	14						
13-0734-00006	C11	14						
13-0734-00006	C4	16						
13-0734-00006	C6	16						
13-0734-00006	C8	16						
13-0734-00006	C9	14						
13-0734-00007	C14	23						
13-0734-00007	C18	16						
13-0734-00007	C20	14						
13-0734-00007	C21	23						
13-0734-00007	C4	24						
13-0734-00007	C6	25						
13-0734-00007	C8	25						
13-0734-00008	C14	18						
13-0734-00008	C2	2						
13-0734-00008	C21	20						
13-0734-00008	C4	11						
13-0734-00008	C6	11						
13-0734-00008	C8	11						
13-0734-00010	C10	4						
13-0734-00010	C11	4						
13-0734-00010	C9	4						
13-0734-00012	C4	9						
13-0734-00012	C6	9						
13-0734-00012	C8	9						
13-0735-00012	C4	10						
13-0735-00012	C6	10						
13-0735-00012	C8	10						
13-0736-00006	C14	15						
13-0737-04032	C10	18						
13-0737-04032	C11	18						
13-0737-04032	C9	18						
13-0737-05040	C10	23						

Limited Warranty Statement

1. Meridian Manufacturing Inc warrants each new Meridian Manufacturing Inc product (the "Goods") to be free from defects in material and workmanship under normal use and service for a period of two (2) years or ninety (90) days in the case of commercial use, from the shipment date from the Meridian dealer (FCA).
2. Meridian warrants replacement parts and components either manufactured or sold by, will be free from defects in materials or workmanship under normal use and service for thirty (30) days from the shipment date from the Meridian dealer (FCA), or the remainder of the original warranty period on the Goods, whichever is longer.
3. This warranty does not apply to:
 - a) to any merchandise or components thereof, which in the sole and unfettered opinion of Meridian, have been subject to misuse, unauthorized modifications, alteration, accident, negligence, product abuse or lack of required maintenance.
 - b) if repairs have been made with parts or by persons other than those parts or persons approved by Meridian.
 - c) to parts and accessories not manufactured by Meridian including, but not limited to, engines, batteries, tires, belts, PTO shafts or other trade accessories. Such parts shall be covered by the warranty given by the actual manufacturer, if any.
 - d) to failure of parts; or failure of parts to perform due to wear under normal or excessive service conditions; or to failure due to use by the Purchaser for purposes other than originally intended at time of manufacture, including without limitation using the Goods for mixing fertilizer, etc.; or used in excess of the built specifications.
 - e) to Goods used in areas exposed to corrosive or aggressive conditions including, but not limited to, salt water from either inside or outside the Goods.
 - f) to failures or defects arising out of damage during shipment or during storage.
 - g) to materials replaced or repaired under this warranty, except to the extent of the remainder of the applicable warranty.
4. The obligation of Meridian under this warranty shall not arise unless Meridian is notified and this warranty is presented together with a written statement specifying the claim or defect within thirty (30) days after the failure is first detected or made known to the Purchaser and within: (i) two (2) years, or ninety (90) days in the case of commercial use; or (ii) thirty (30) days in the case of replacement parts and components manufactured by Meridian; from the shipment date from the Meridian dealer (FCA). Meridian in its sole and unfettered discretion shall determine if the claim is valid and whether correction of the defect or failure shall be made by repair or replacement of the materials.
5. Title to any replaced materials Meridian wishes to have pass to it, shall pass to Meridian.
6. The obligation of Meridian hereunder extends only to the original Purchaser or Buyer to whom the Goods were initially sold. This warranty shall not be subject to any assignment or transfer without the written consent of Meridian.
7. The purchaser acknowledges that it has made its own independent decision to approve the use of the Goods and also the specific fabrication and construction procedures utilized to complete the Goods, and has satisfied itself as to the suitability of these products for its use.

8. This warranty is subject to the following limitations, provisions and conditions:
- a) Meridian shall have no liability hereunder for any claims, including field re-work.
 - b) Meridian shall not be liable for any incidental loss or damage, however caused, including, without limitation, normal wear and tear.
 - c) Meridian makes no express or implied warranties of any nature whatsoever except for such express warranties as set out herein. The warranty provided herein is in lieu of and excludes all other warranties, guarantees or conditions pertaining to the Goods, written or oral, statutory, express or implied, (except the warranty as to title) including any warranty as to the merchantability or fitness for any particular purpose. Meridian expressly disclaims all other representations, conditions or warranties, expressed or implied, statutory or otherwise and any representations, warranties or conditions that may arise from a course of dealing or usage of trade. The warranty provided herein shall constitute Meridian's sole obligation and liability and the Purchaser's sole remedy for breach of warranty. No other warranty has been made by any employee, agent, or representative of Meridian and any statements contained in any other printed material of Meridian is expressly excluded herefrom. Meridian shall not be responsible for any warranty offered by the Purchaser to its customers with respect to the Goods and the Purchaser shall indemnify Meridian with respect to same if any of those customers makes a claim against Meridian relating to any such warranty.
 - d) Subject to Meridian's obligations contained in paragraphs 1 and 2 herein, none of Meridian, its officers, directors, servants or agents shall be liable, or responsible for any loss or damage (including strict liability and liability for loss or damage due to items which the manufacturing processes are designed to identify) whether such loss or damage is caused by negligence in any manner whatsoever (including gross negligence, error, misrepresentation, misstatement, imprudence, lack of skill or lack of judgement).
9. The sole financial obligation of Meridian under this warranty shall be limited to the repair or replacement of the Goods as originally supplied and in no event shall they exceed the original cost of the Goods supplied.
10. Meridian shall not have any obligation under any warranty herein until all accounts have been paid in full by the Purchaser.
11. The construction and interpretation of this Warranty shall be governed by the laws of the Province of Saskatchewan.

Warranty Claim Procedure

- 1. Purchaser must register the Goods with Meridian.
- 2. Purchaser must contact the dealer where the unit was purchased from upon discovery of any defects.
- 3. A completed warranty claim form must be submitted by the dealer to Meridian's warranty representative for review and any subsequent course of action.
- 4. Warranty repair work will only be performed by Meridian or an approved representative of Meridian. No warranty work completed prior to approval by Meridian will be honored. Failure to follow procedure may affect any or all of this warranty.
- 5. Claims will be adjudicated at the sole discretion of Meridian and in accordance with the terms and conditions of the limited warranty.

MERIDIAN MANUFACTURING INC.

With over 65 years of experience,
Meridian is your storage and handling expert.



www.meridianmfg.com

Cambridge Office

605 Sheldon Dr.
Cambridge, On. N1T 2K1
PH: 519.620.6004
TF: 855.346.3712
FX: 519.620.6041

Camrose Office

4232 - 38 St.
Camrose, AB T4V 4B2
PH: 780.672.4516
TF: 800.830.2467
FX: 780.672.4759

Lethbridge Office

3125 - 24 Ave. N.
Lethbridge, AB T1H 5G2
PH: 403.320.7070
TF: 800.661.1436
FX: 403.320.7579

Regina Office

PO Box 1996
Regina, SK S4P 3E1
PH: 306.545.4044
TF: 800.667.5904
FX: 306.545.4216

Storm Lake Office

2902 Expansion Blvd.
Storm Lake, IA 50588
PH: 712.732.1780
TF: 800.437.2334
FX: 712.732.1028

Winkler Office

Box 760, 275 Hespler Ave.
Winkler, MB R6W 4A8
PH: 204.325.7883
TF: 800.665.7259
FX: 204.325.5556