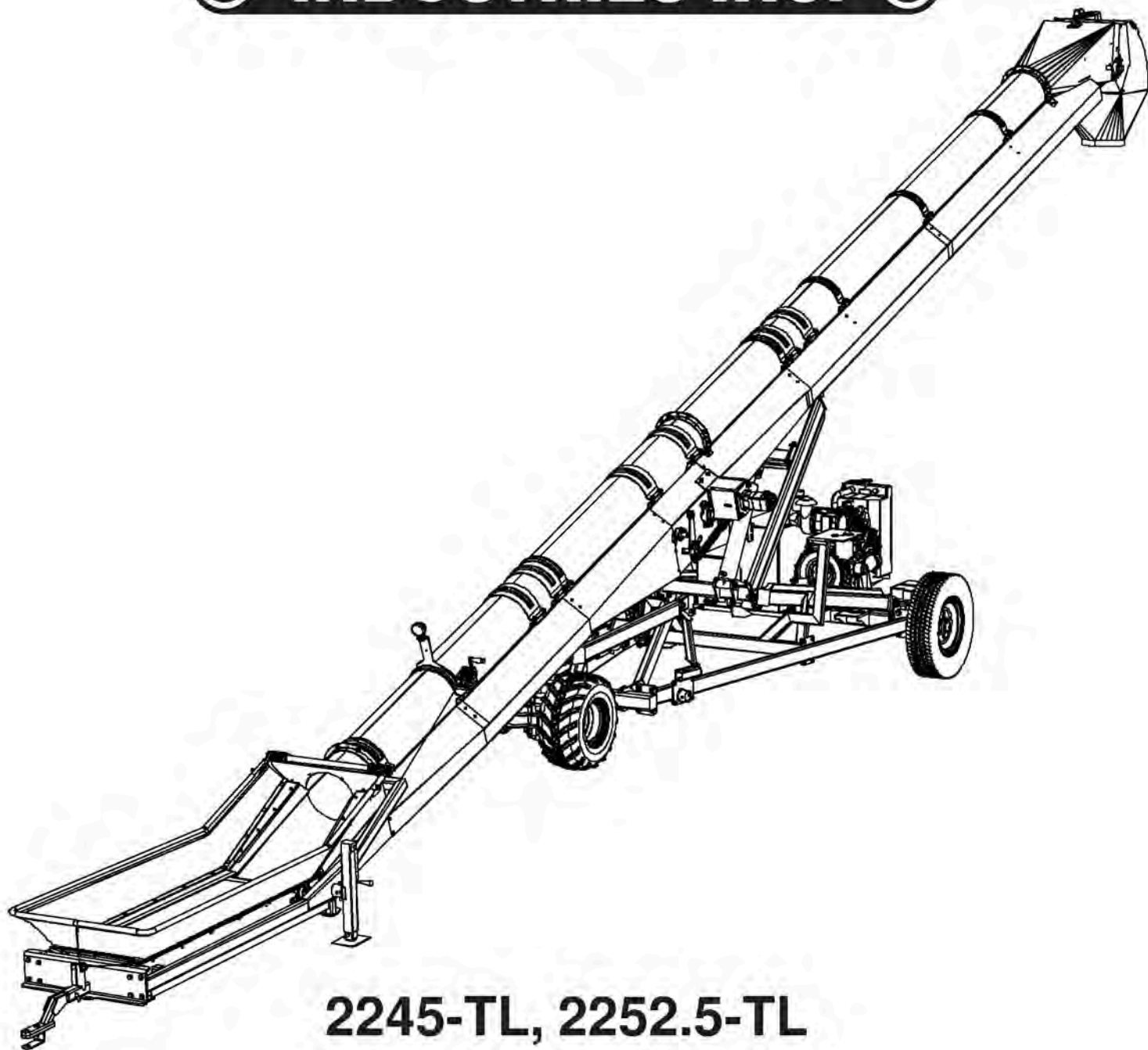


CONVEY-ALL

INDUSTRIES INC.



2245-TL, 2252.5-TL

PARTS CATALOG

TABLE OF CONTENTS

PART NO	TITLE	PAGE
Section 1: 2200-TL SERIES CONVEYOR.		
501293	Draw Bar	1
504254	Hopper Frame Hitch - Open Transition	2
2245-TL	22" Belt Conveyor 45' Truck Loader, Cable Guide	3
504221	Open Transition Hopper	4
504221	Open Transition Hopper, Flashing	5
504221	Open Transition Hopper, Rollers	6
2245-TL	22" Belt Conveyor 45' Truck, Tube Components.	7
2252.5-TL	Tube Components	8
2245-TL	22" Belt Conveyor 45' Truck Loader, Tube	9-10
503023	PTO Positive Drive Box with Fixed Drive Roller.	11
503023	PTO Positive Drive Box, Rollers.	12
503731	Hydraulic Drive - 4000 Series	13
Section 2: UNDERCARRIAGE		
503641	2245-TL Undercarriage, Front Frame Assembly	15
503641	2245-TL Undercarriage, Arm Brace Assembly	16
503641	2245-TL Undercarriage, Front Frame Assembly	17
503641	2245-TL Undercarriage, Rear Frame Assembly	18-19
503641	2245-TL Undercarriage, Cylinders.	20
504132	Standard Axle Assembly	21
503642	Rear Main Axle	22
503661, 503662	Hydraulic Tank, Fuel Tank	23
504132	Standard Axle Assembly	24
504133	Torsion Axle Assembly	25
504133	Torsion Axle, Fender Assembly	26

continued on next page

TABLE OF CONTENTS cont'd

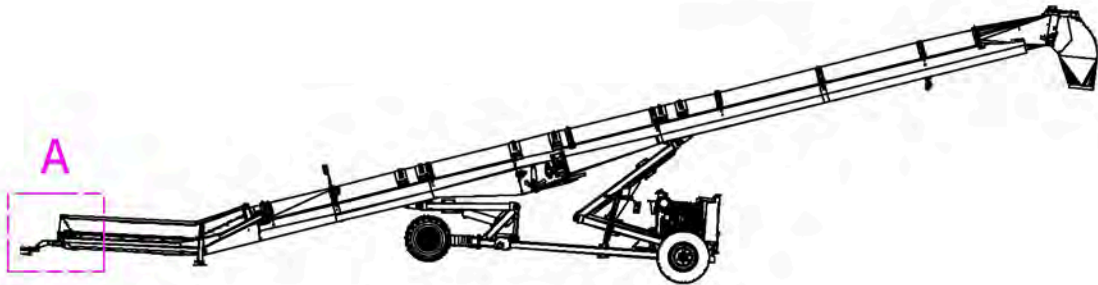
PART NO	TITLE	PAGE
Section 3: HYDRAULICS.		27
504220	Hydraulics, Drive Box Hydraulic Motor	27
504220	Hydraulics, Mover Kit	28
504220	Hydraulics, Hoses	29
504220	Hydraulics, Cylinders	30
504220	Hydraulics, Ball Valve and Manifold	31
504220	Hydraulics, Filter	32
504220	Hydraulics, Hoses	33
2245-TL	22" Belt Conveyor, Suction Line Support	34
504220	Hydraulics, Pump	35
504220	Hydraulics, Valves	36
503641	Undercarriage, Junction Box	37
2245-TL	22" Belt Conveyor, Undercarriage to Tube	38
Section 4: DISCHARGE		39
503804	Discharge Housing	39
503805	Swivel Discharge Hood & Spout	40
503281	Swivel Hood Discharge Body with Roller	41
Section 5: Reference Parts Lists		43-56

Note:

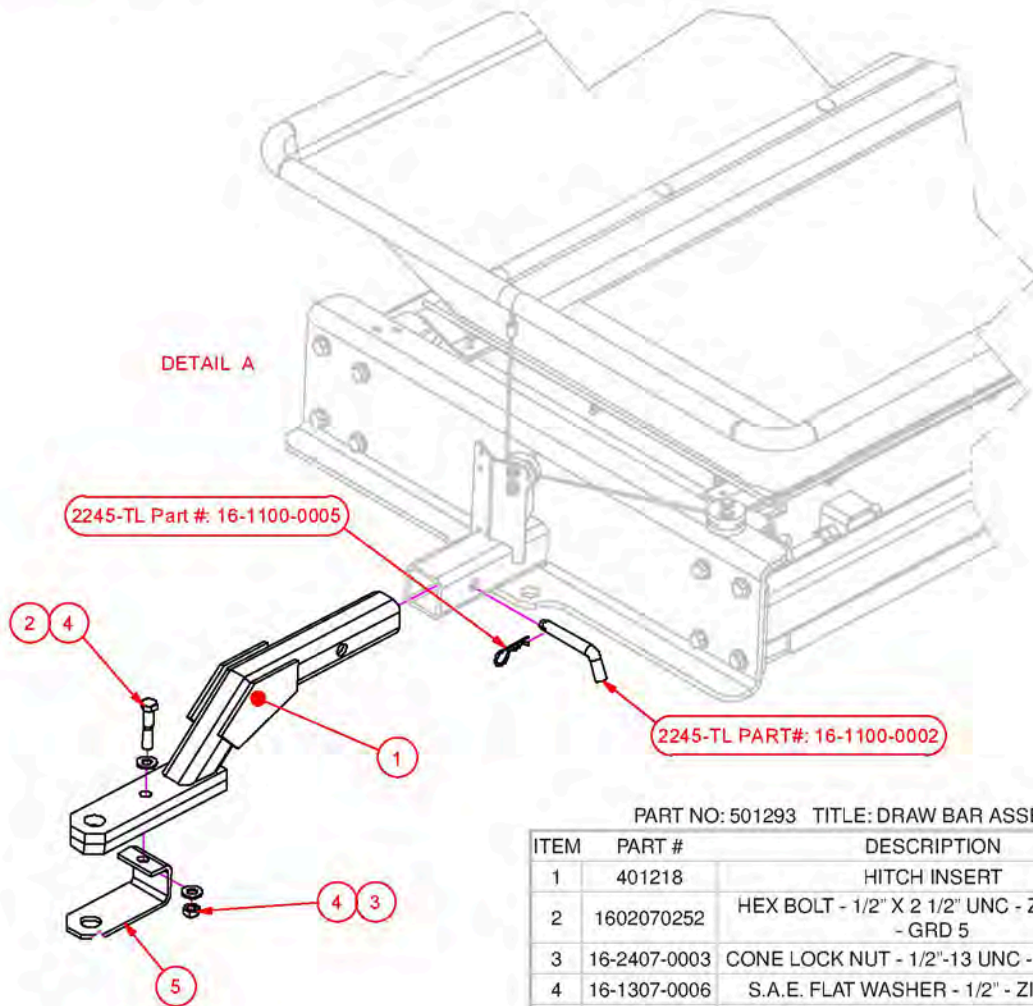
Each page contains a parts list for the items identified on that page.
For complete parts lists, go to the Reference Section at the end of this document.

Section 1: 2200-TL SERIES CONVEYOR

This section contains the drawings and parts lists for the conveyor tube and it's components.

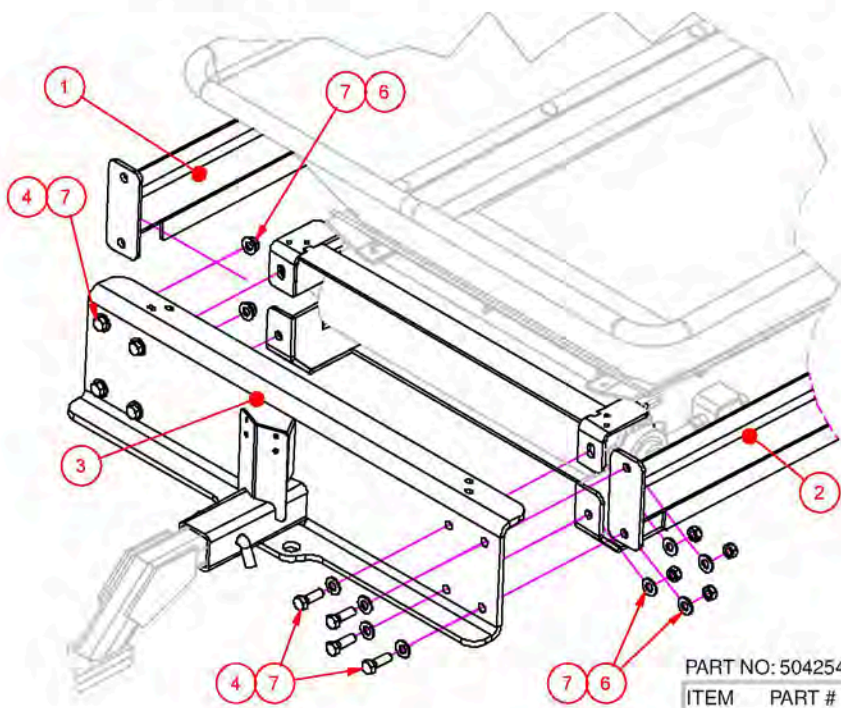
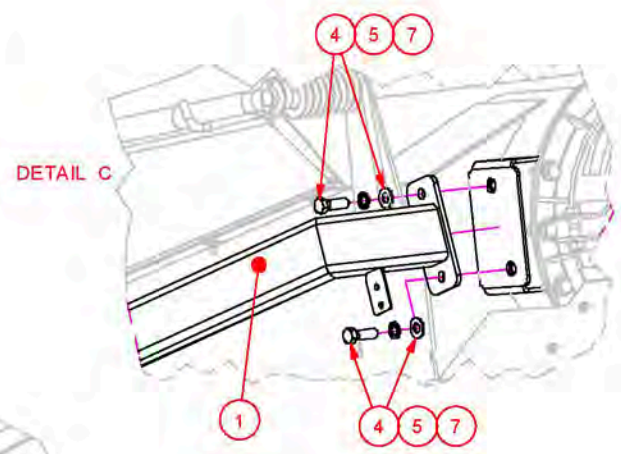
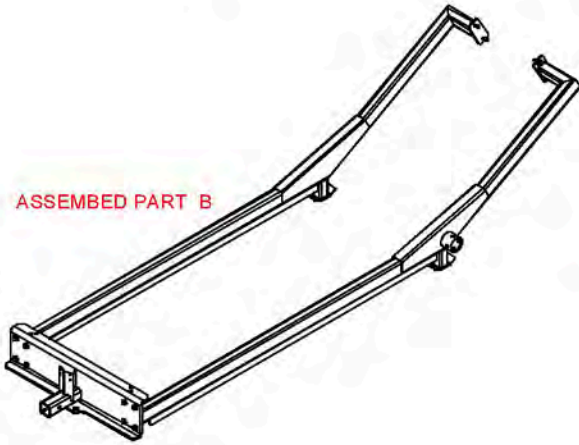
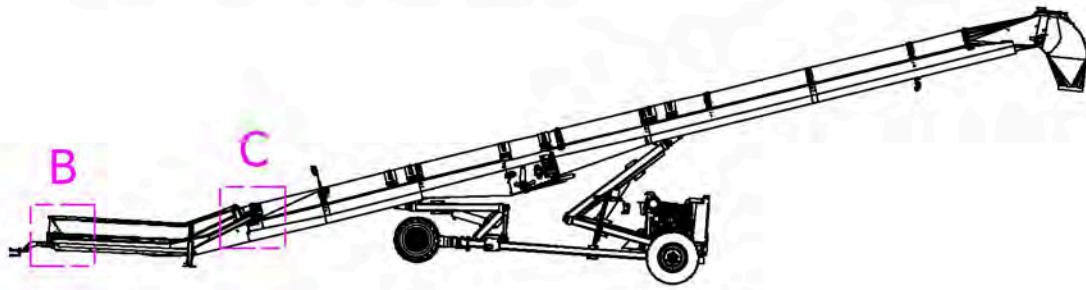


DETAIL A



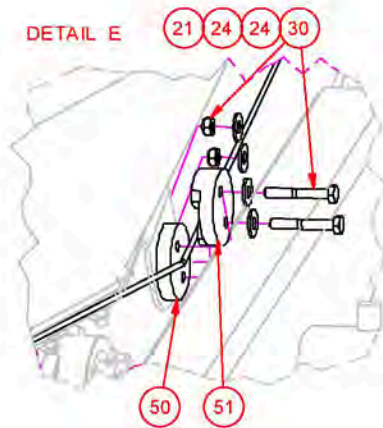
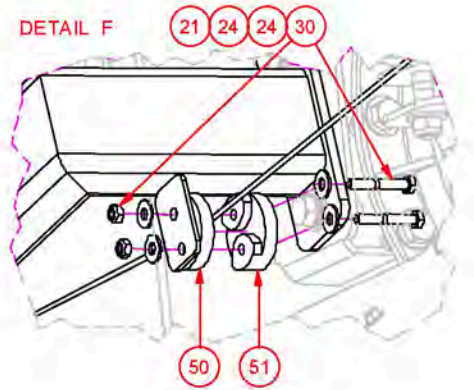
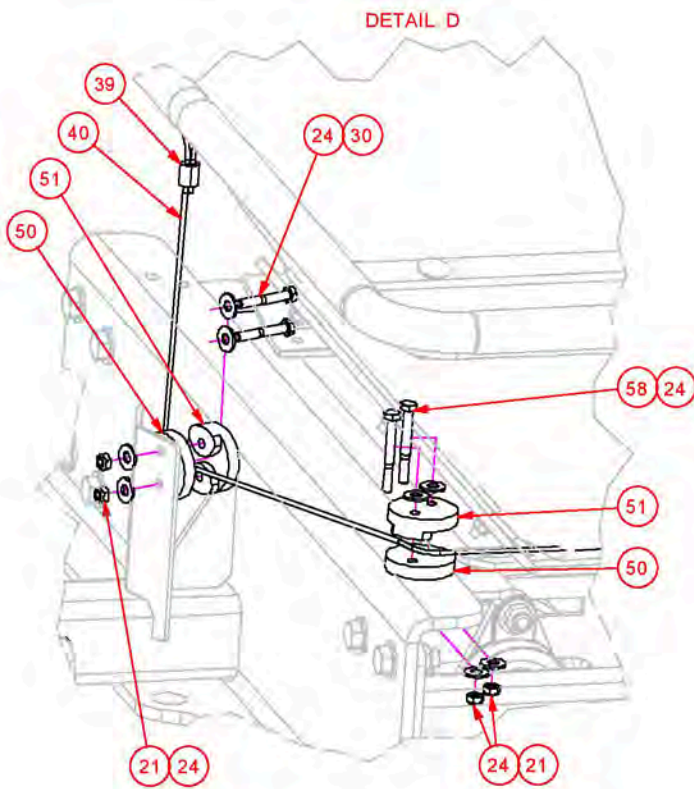
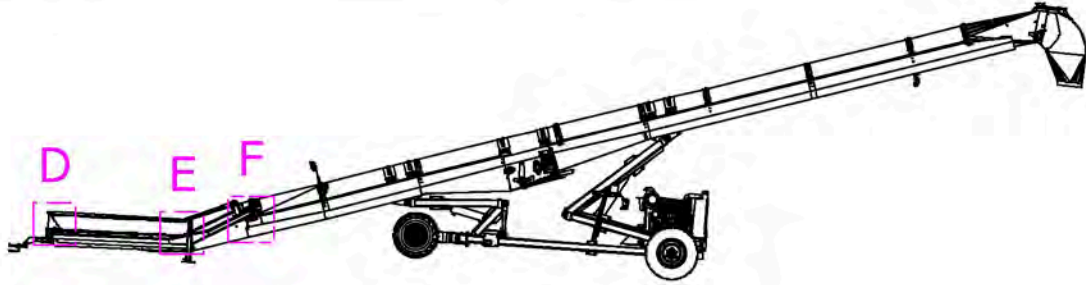
PART NO: 501293 TITLE: DRAW BAR ASSEMBLY

ITEM	PART #	DESCRIPTION	QTY
1	401218	HITCH INSERT	1
2	1602070252	HEX BOLT - 1/2" X 2 1/2" UNC - ZINC PLTD - GRD 5	1
3	16-2407-0003	CONE LOCK NUT - 1/2"-13 UNC - ZINC PLTD	1
4	16-1307-0006	S.A.E. FLAT WASHER - 1/2" - ZINC PLTD	2
5	104278	HITCH TONGUE J-BAR	1



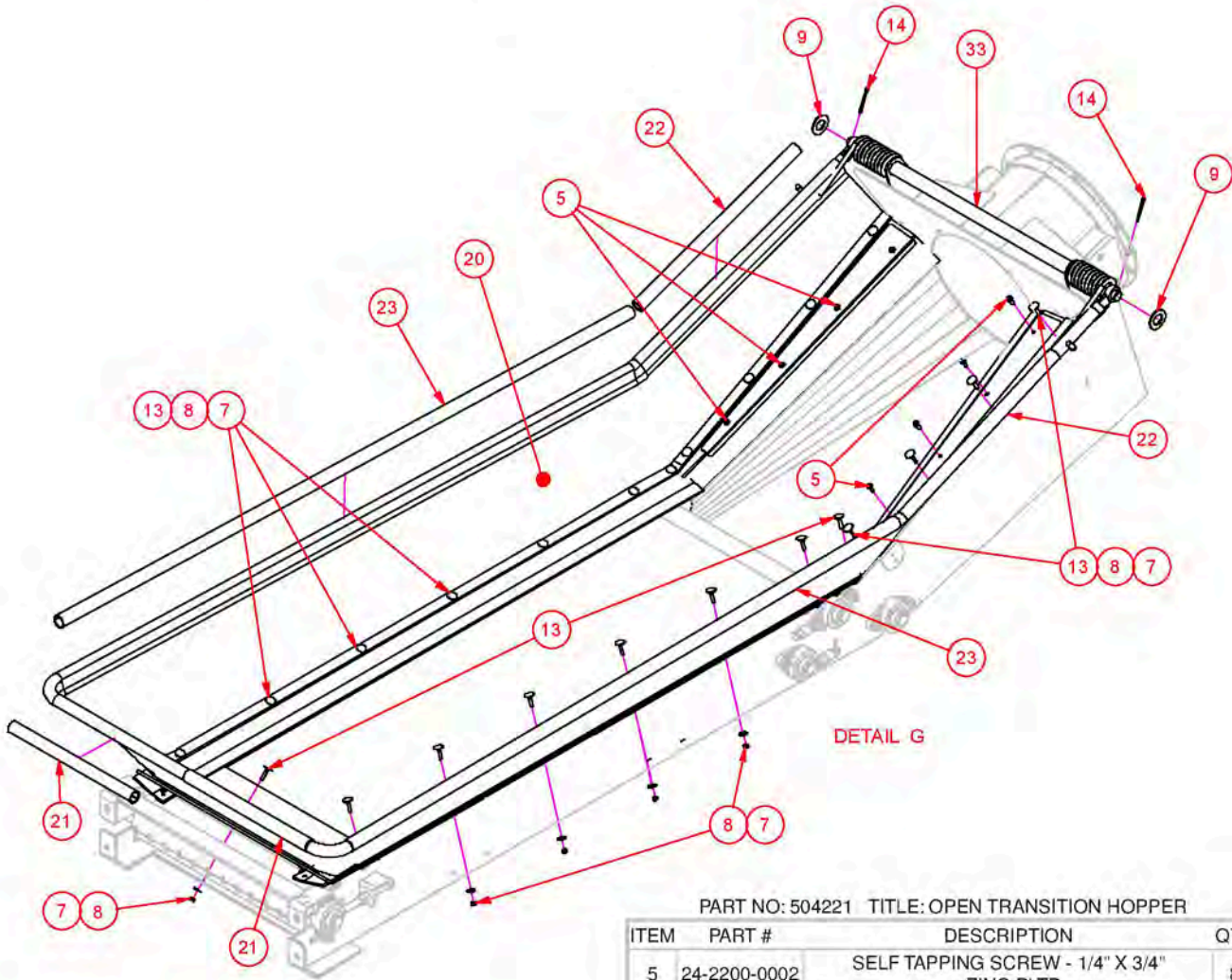
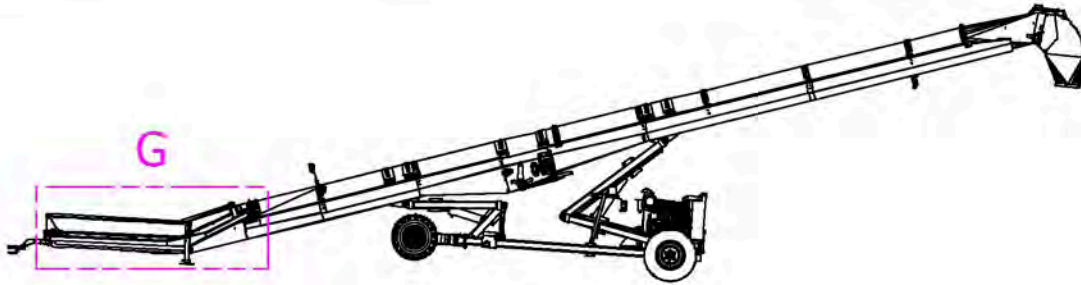
PART NO: 504254 TITLE: HOPPER FRAME HITCH - OPEN TRANSITION

ITEM	PART #	DESCRIPTION	QTY
1	405599	HOPPER HITCH FRAME - RIGHT	1
2	405598	HOPPER HITCH FRAME - LEFT	1
3	405597	FL HOPPER HITCH	1
4	1602070248	HEX BOLT - 1/2" X 1 1/2" UNC - ZINC PLTD - GRD 5	12
5	16-2408-0008	SPRING LOCK WASHER - 1/2" - ZINC PLTD	4
6	16-2407-0003	CONE LOCK NUT - 1/2"-13 UNC - ZINC PLTD	8
7	16-1307-0006	S.A.E. FLAT WASHER - 1/2" - ZINC PLTD	20



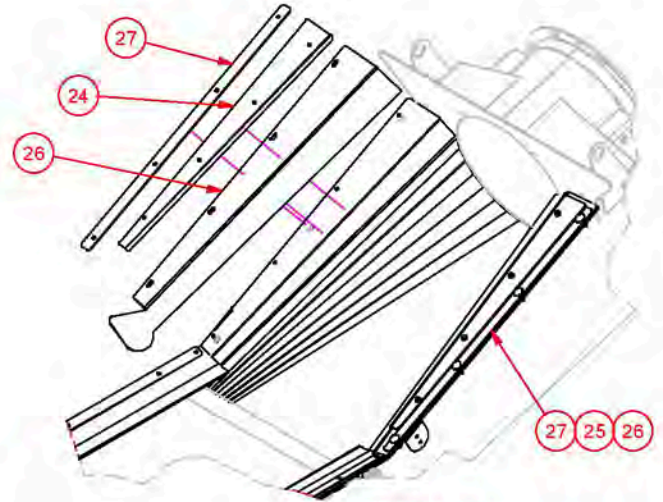
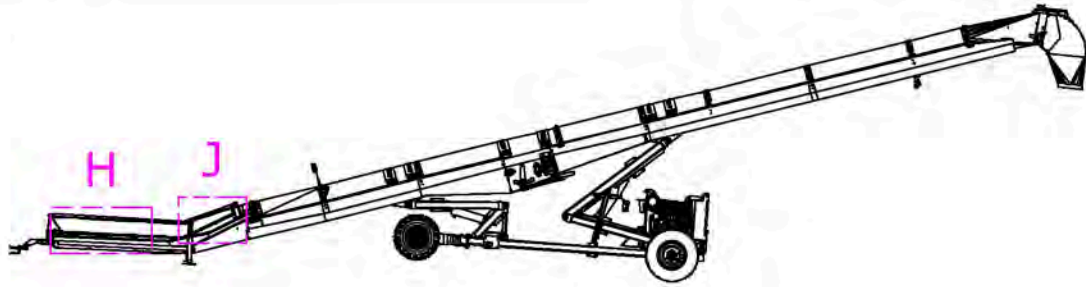
PART NO: 2245-TL TITLE: 22" BELT CONVEYOR 45' TRUCK LOADER

ITEM	PART #	DESCRIPTION	QTY
21	1624070001	CONE LOCK NUT - 1/4"-20 UNC - ZINC PLTD	9
24	1617070002	U.S.S. FLAT WASHER - 1/4" - ZINC PLTD	18
30	1602070011	HEX BOLT - 1/4"-20 X 1 3/4" UNC - ZINC PLTD - GRADE 5	6
39	12-1100-0020	CABLE SLEEVE - SWAGED - 1/8"	1
40	12-1100-0014	CABLE GALVANIZED 1/8" X 15'	1
50	116291	CABLE GUIDE BACK PLATE	4
51	116211	CABLE GUIDE	4
58	-	HEX BOLT - 1/4"-20 X 2 1/4" UNC - ZINC PLTD - GRADE 5	2

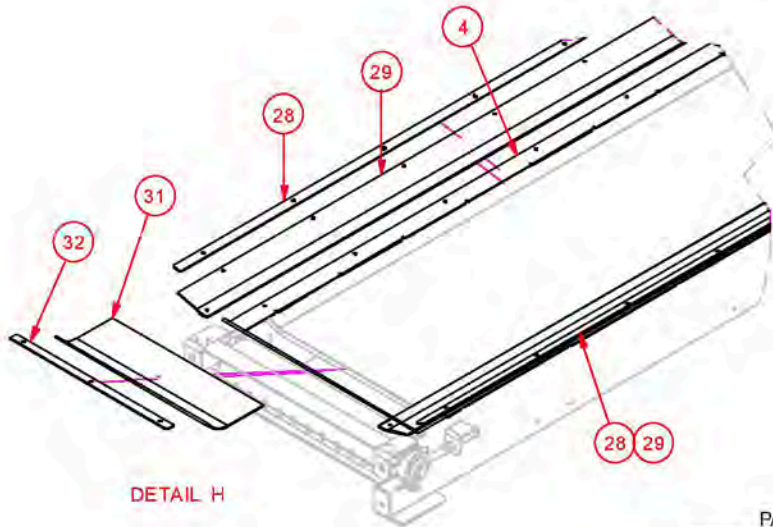


PART NO: 504221 TITLE: OPEN TRANSITION HOPPER

ITEM	PART #	DESCRIPTION	QTY
5	24-2200-0002	SELF TAPPING SCREW - 1/4" X 3/4" - ZINC PLTD	8
7	1624070001	CONE LOCK NUT - 1/4"-20 UNC - ZINC PLTD	25
8	1617070002	U.S.S. FLAT WASHER - 1/4" - ZINC PLTD	25
9	1613070011	S.A.E. FLAT WASHER - 1" - ZINC PLTD	2
13	16-3310-0002	ELEVATOR BOLT - 1/4-20 UNC - 1 1/4" - ZINC PLTD	25
14	16-1100-0003	COTTER PIN - 3/16" X 2"	2
20	12-2400-0019	OPEN TRANSITION HOPPER CANVAS	1
21	118831	HOPPER CANVAS PROTECTOR - 16-1/8"	2
22	118733	HOPPER CANVAS PROTECTOR - 22-1/8"	2
23	118732	HOPPER CANVAS PROTECTOR - 74"	2
33	118699	HOPPER HOOP MOUNT BAR	1



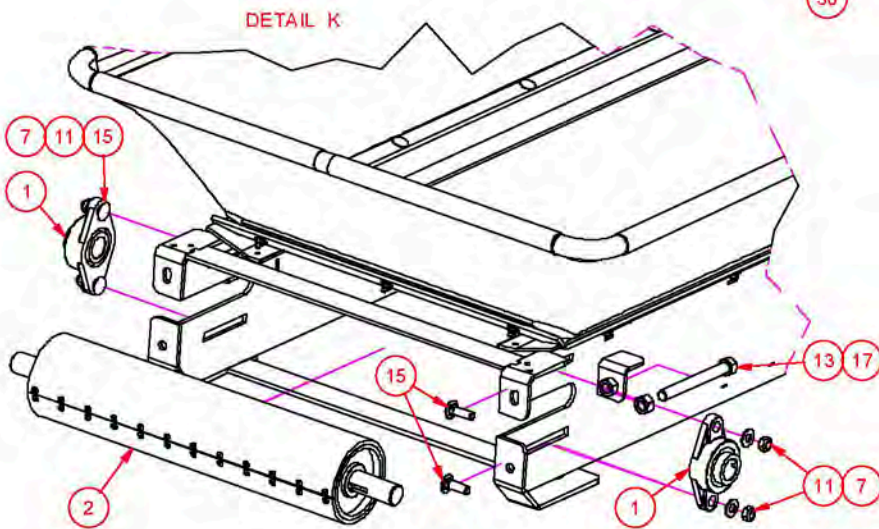
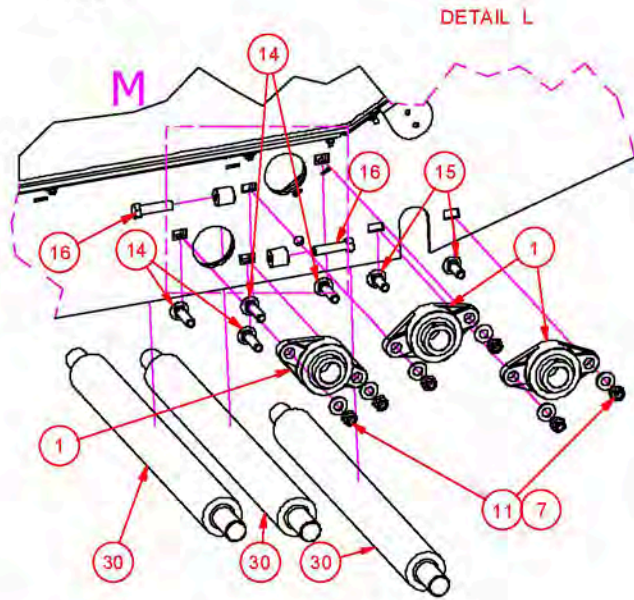
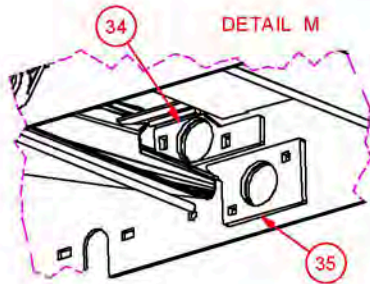
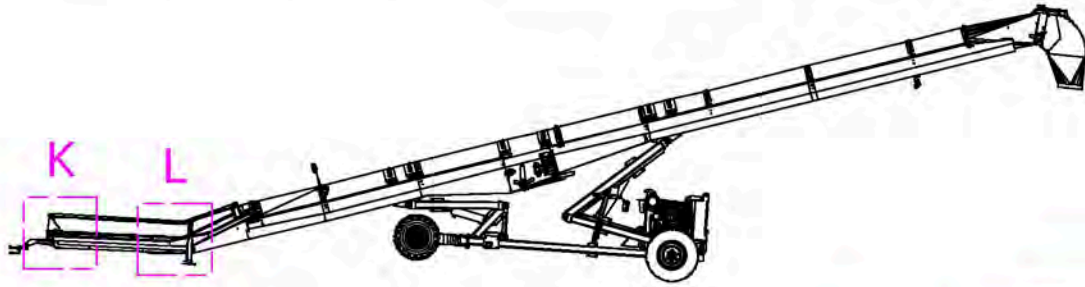
DETAIL J



DETAIL H

PART NO: 504221 TITLE: OPEN TRANSITION HOPPER

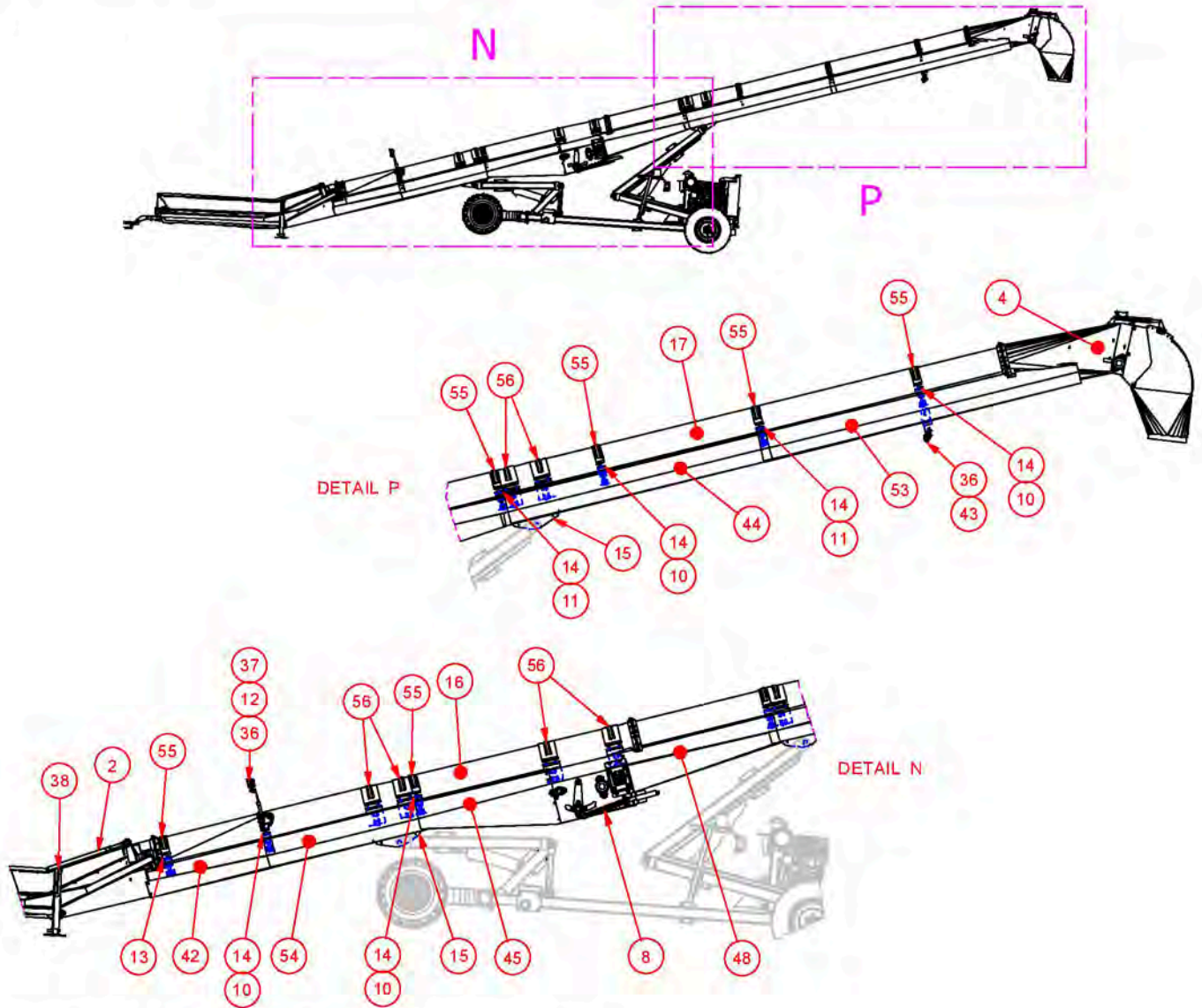
ITEM	PART #	DESCRIPTION	QTY
4	405576	OPEN TRANSITION HOPPER	1
24	118711	FLASHING HOLD DOWN - RIGHT	1
25	118710	FLASHING HOLD DOWN - LEFT	1
26	118709	HOPPER TRANSITION FLASHING	2
27	118708	CANVAS INSERT - TRANSITION	2
28	118707	CANVAS INSERT - SIDE	2
29	118706	HOPPER SIDE FLASHING	2
31	118704	HOPPER TAIL FLASHING	1
32	118703	CANVAS INSERT - TAIL	1



PART NO: 504221 TITLE: OPEN TRANSITION HOPPER

ITEM	PART #	DESCRIPTION	QTY
1	B-0000-0010	STANDARD BEARING - FL206 - 1 1/4" SHAFT - COMPLETE	8
2	504222	ROLLER - TYPE 4 1/2 X 22 - 1 1/4 X 27 1/2	1
7	1624070001	CONE LOCK NUT - 1/4"-20 UNC - ZINC PLTD	25
11	1602070251	HEX BOLT - 1/2"-13 X 2" UNC - ZINC PLTD - GRADE 5 - FULL THREAD	4
13	16-3310-0002	ELEVATOR BOLT - 1/4-20 UNC - 1 1/4" - ZINC PLTD	25
14	16-1100-0003	COTTER PIN - 3/16" X 2"	2

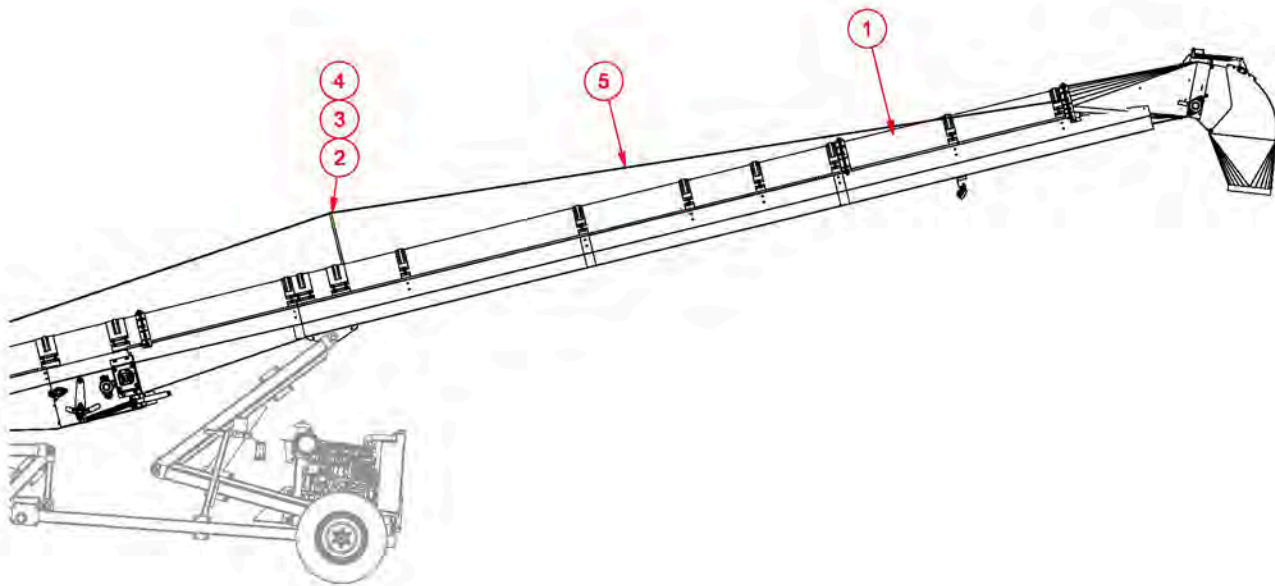
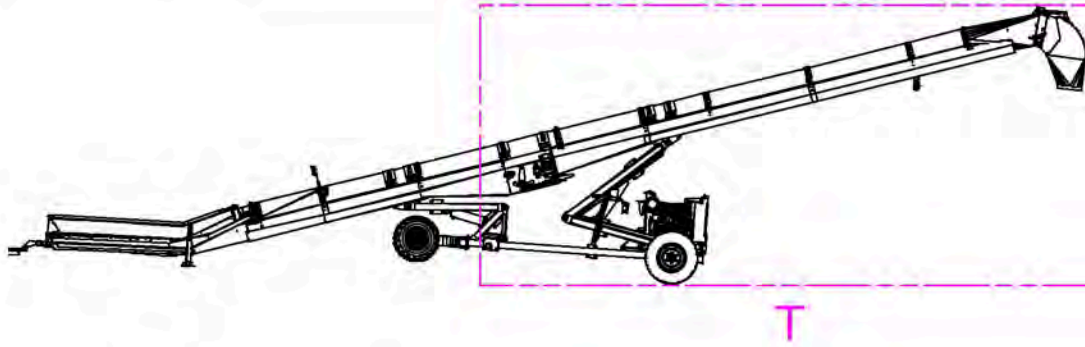
ITEM	PART #	DESCRIPTION	QTY
15	16-0907-0007	HEX NUT - 5/8"-11 UNC - ZINC PLTD - GRADE 5	2
16	16-0307-0375	CARRIAGE BOLT - 1/2" X 2" UNC - PLTD - GRD 5	8
17	16-0307-0248	CARRIAGE BOLT - 1/2" X 1 1/2" UNC - PLTD - GRD 5	8
30	118705	ROLLER - TYPE 2 3/8 X 22 3/4 - 1 1/4 X 27 1/2	3
34	118389	TOP TRANSITION ROLLER GUIDE PLATE	2
35	118385	BOTTOM TRANSITION ROLLER GUIDE PLATE	2



PART NO: 2245-TL TITLE: 22" BELT CONVEYOR 45' TRUCK LOADER

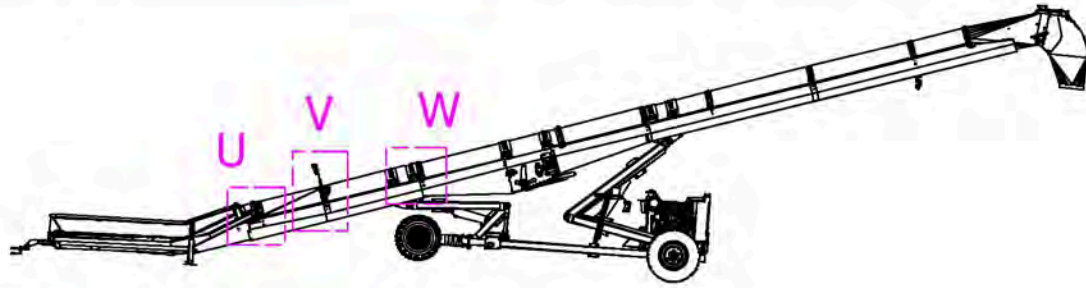
ITEM	PART #	DESCRIPTION	QTY
2	504221	OPEN TRANSITION HOPPER	1
4	503804	DISCHARGE	1
8	503023	PTO - POSITIVE DRIVE BOX W/FIXED DRIVE ROLLER	1
10	501113	RETURN ROLLER FL - 1-7/8 X 23-11/16 X 7/16	2
11	500021	RETURN ROLLER - 7/16 X 23-11/16 X 25-3/8	4
12	405749	LIGHT/WINCH MOUNT BRACKET	1
14	405126	RETURN ROLLER BRACKET	6
15	405123	UNDERCARRIAGE MOUNT	2
16	400035	TUBE - 12GA X 14D X 180L	1
17	400034	TUBE - 12GA X 14D X 240L	1
36	14-1900-0072	UTILITY WORK LIGHT - ROUND 4" - LED - 9-36VDC	2
37	12-1900-0004	LIGHT DUTY WINCH	1
41	119268	OPEN TRANSITION HOPPER WIND GUARD - RIGHT	1
42	119266	OPEN TRANSITION HOPPER WIND GUARD - LEFT	1

ITEM	PART #	DESCRIPTION	QTY
43	117472	LIGHT MOUNT	1
44	117113	WINDGUARD - TYPE 101 1/4	2
45	116564	HOPPER TO DRIVE BOX WINDGUARD - LEFT	1
46	116563	HOPPER TO DRIVE BOX WINDGUARD - RIGHT	1
47	116556	DRIVE BOX TO DISCHARGE WINDGUARD - RIGHT	1
48	116554	DRIVE BOX TO DISCHARGE WINDGUARD - LEFT	1
52	112302	DISCHARGE WINDGUARD - TYPE 120 - RIGHT	1
53	112298	DISCHARGE WINDGUARD - TYPE 120 - LEFT	1
54	111252	WINDGUARD - TYPE 60	2
55	101081	TUBE CLAMP - TYPE 3	6
56	101080	TUBE CLAMP - TYPE 6	6

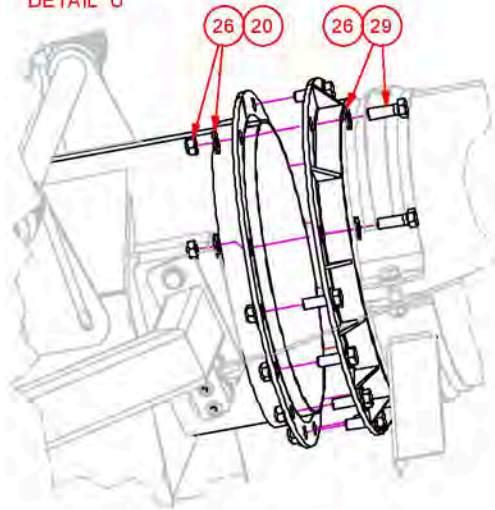


2252.5-TL TUBE COMPONENTS

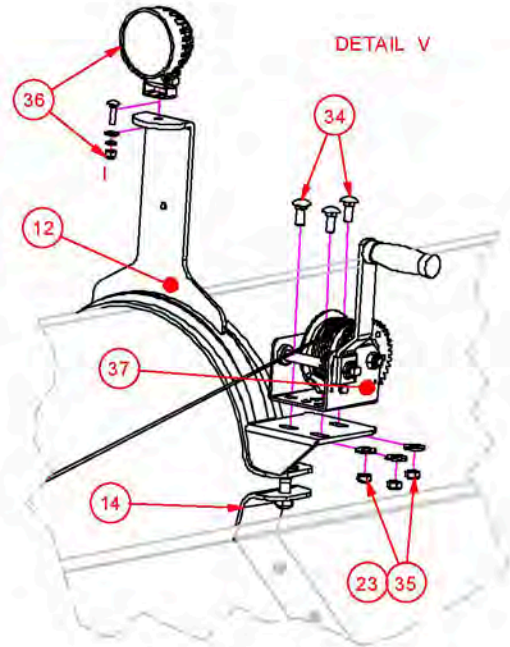
ITEM	PART #	DESCRIPTION	QTY
1	400037	TUBE - 12GA X 14D X 90L	1
2	405550	14" TUBE CLAMP W/BRIDGING TAB - 6' WIDE	1
3	117693	BRIDGING - SHORT ANGLE BRACE	1
4	100934	BRIDGING - SHORT CROSS BRACE	1
5	12-1100-0001	CABLE - GALVINIZED - 3/8" DIA. 44.5'L	1



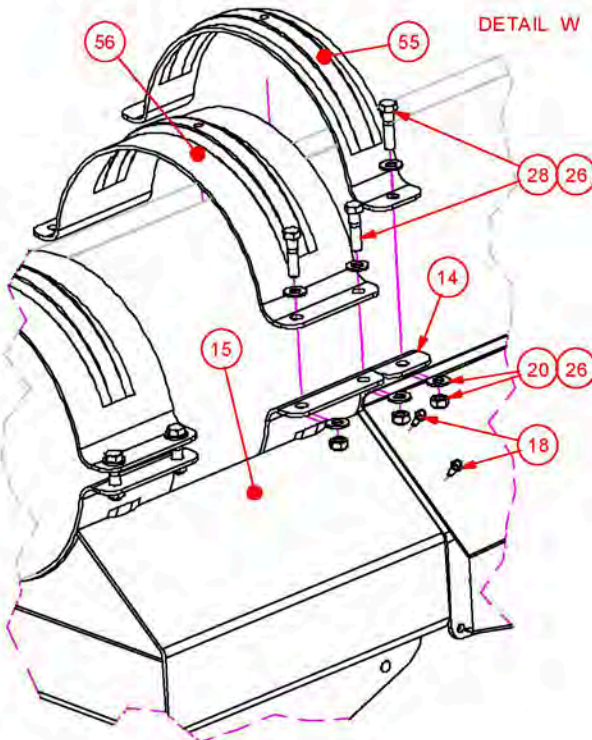
DETAIL U



DETAIL V

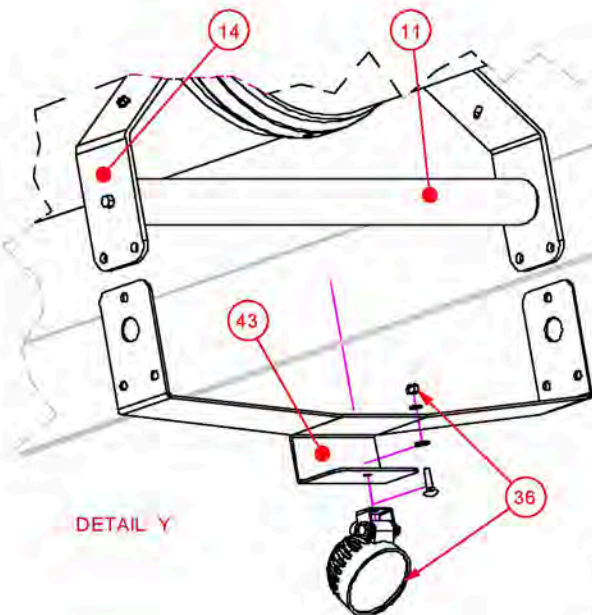
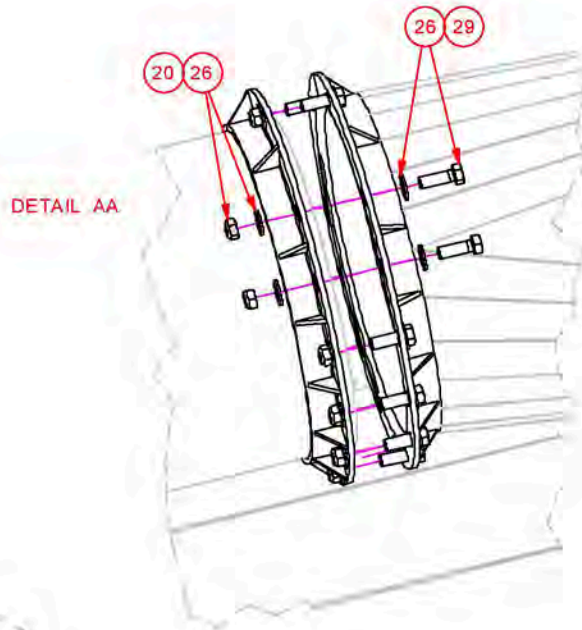
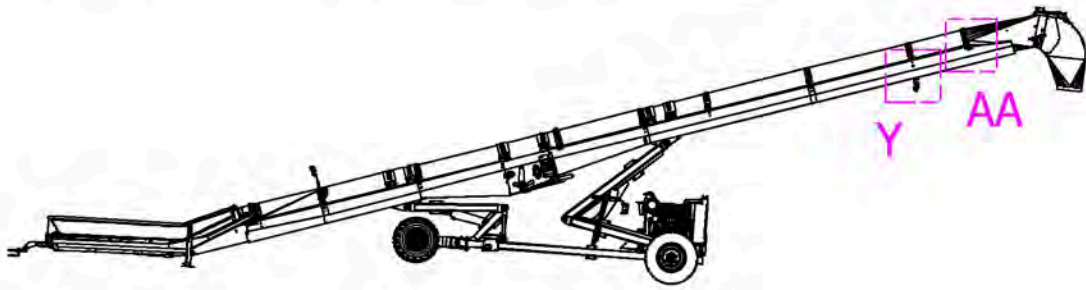


DETAIL W



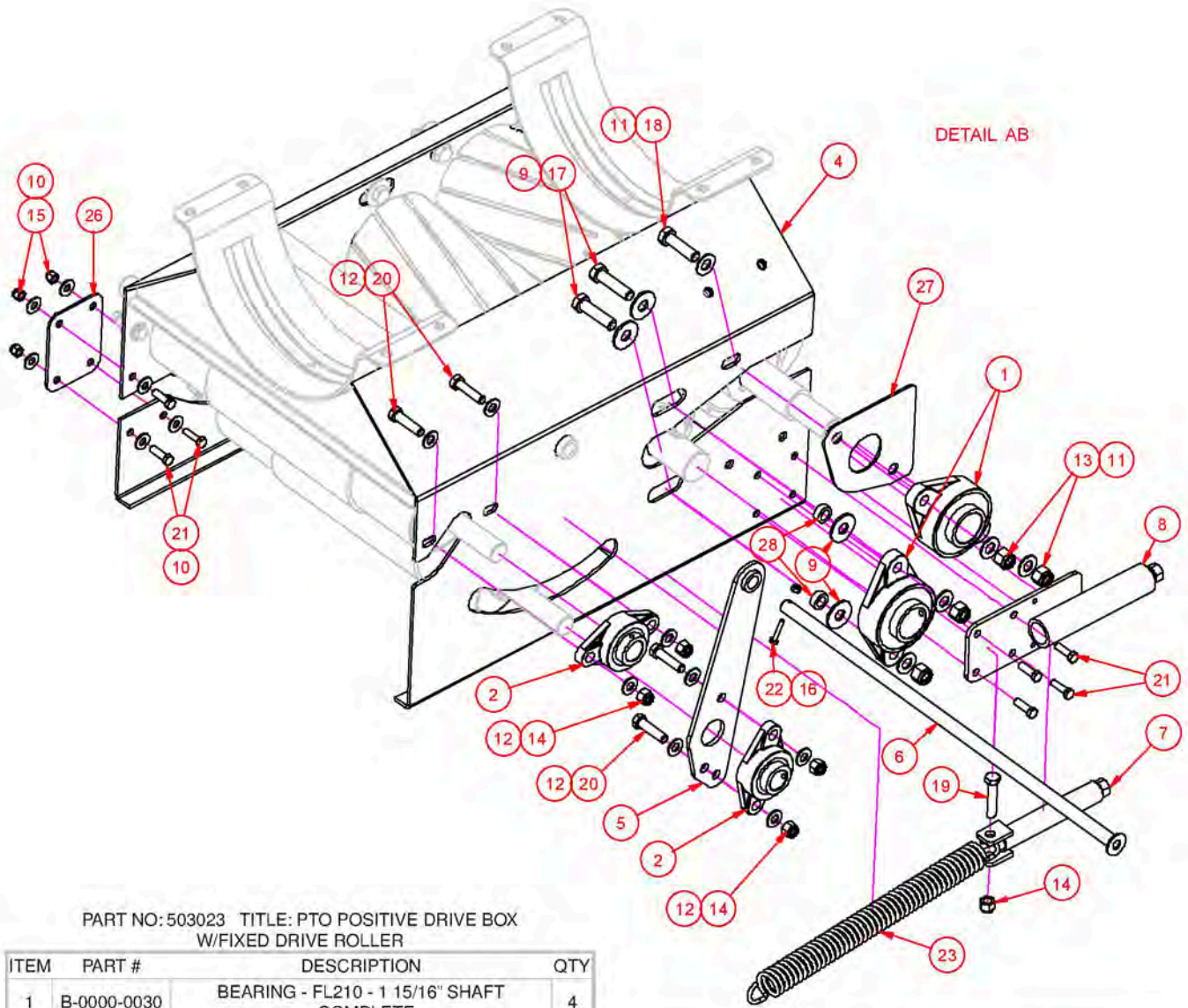
PART NO: 2245-TL TITLE: 22" BELT CONVEYOR 45' TRUCK LOADER

ITEM	PART #	DESCRIPTION	QTY
12	405749	LIGHT/WINCH MOUNT BRACKET	1
14	405126	RETURN ROLLER BRACKET	6
15	405123	UNDERCARRIAGE MOUNT	2
18	24-2200-0002	SELF TAPPING SCREW - 1/4" X 3/4" - ZINC PLTD	44
20	1624070003	CONE LOCK NUT - 1/2"-13 UNC - ZINC PLTD	77
23	1617070004	U.S.S. FLAT WASHER - 3/8" - ZINC PLTD	3
26	1613070006	S.A.E. FLAT WASHER - 1/2" - ZINC PLTD	154
28	1602070250	HEX BOLT - 1/2"-13 X 2" UNC - ZINC PLTD - GRADE 5	38
29	1602070248	HEX BOLT - 1/2"-13 X 1 1/2" UNC - ZINC PLTD - GRADE 5	39
34	16-0307-0124	CARRIAGE BOLT - 3/8" X 1" UNC - PLTD - GRD 5	3
35	1518000004	CONE LOCK NUT - 3/8"-16 UNC - ZINC PLTD	3
36	14-1900-0072	UTILITY WORK LIGHT - ROUND 4" - LED - 9-36VDC	2
37	12-1900-0004	LIGHT DUTY WINCH	1
55	101081	TUBE CLAMP - TYPE 3	6
56	101080	TUBE CLAMP - TYPE 6	6



PART NO: 2245-TL TITLE: 22" BELT CONVEYOR 45' TRUCK LOADER

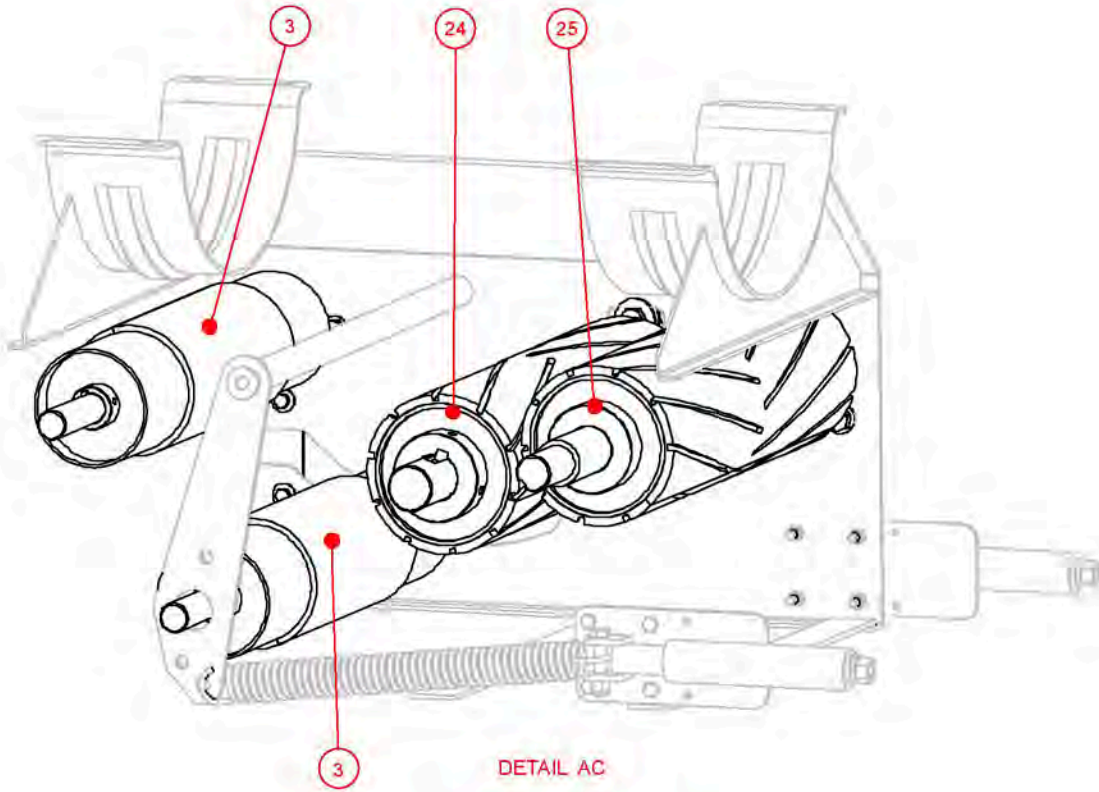
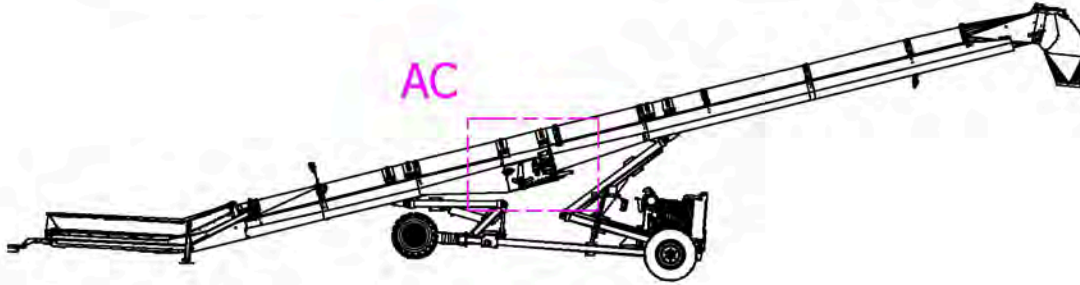
ITEM	PART #	DESCRIPTION	QTY
11	500021	RETURN ROLLER - 7/16 X 23-11/16 X 25-3/8	4
14	405126	RETURN ROLLER BRACKET	6
20	1602070250	HEX BOLT - 1/2" X 2" UNC - ZINC PLTD - GRD 5	38
26	16-2407-0001	CONE LOCK NUT - 1/4"-20 UNC - ZINC PLTD	9
29	16-1707-0002	U.S.S. FLAT WASHER - 1/4" - ZINC PLTD	18
36	14-1900-0072	UTILITY WORK LIGHT - ROUND 4" - LED - 9-36VDC	2
43	117472	LIGHT MOUNT	1



PART NO: 503023 TITLE: PTO POSITIVE DRIVE BOX W/FIXED DRIVE ROLLER

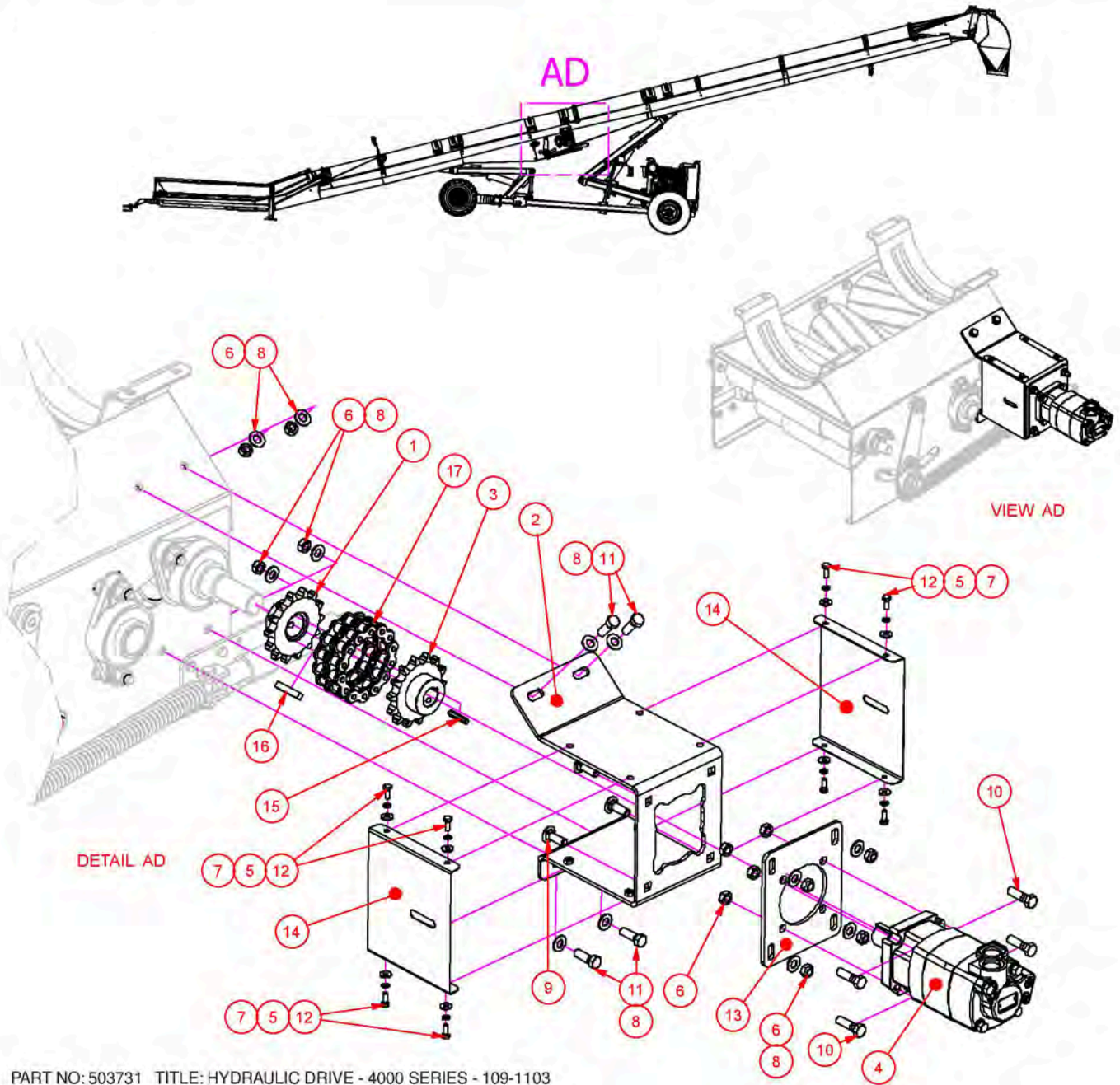
ITEM	PART #	DESCRIPTION	QTY
1	B-0000-0030	BEARING - FL210 - 1 15/16" SHAFT - COMPLETE	4
2	B-0000-0010	BEARING - FL206 - 1 1/4" SHAFT - COMPLETE	4
4	403080	POSITIVE DRIVE BOX W/FIXED DRIVE ROLLER	1
5	402351	TAKE UP ROLLER ARM	2
6	401348	DRIVE ROLLER RETAINER PIN	1
7	400215	TENSIONER INSERT TUBE	2
8	400214	TENSIONER BODY	2
9	16-1707-0008	USS FLAT WASHER - 5/8" PLTD	8
10	16-1707-0004	USS FLAT WASHER - 3/8" PLTD	8
11	16-1307-0008	SAE FLAT WASHER - 5/8" PLTD	12
12	16-1307-0006	SAE FLAT WASHER - 1/2" PLTD	16
13	16-0707-0007	NYLON INSERT LOCK NUT - 5/8" UNC - PLTD - GRD 5	8
14	16-0707-0005	NYLON INSERT LOCK NUT - 1/2" UNC - PLTD - GRD 5	10

ITEM	PART #	DESCRIPTION	QTY
15	16-0707-0003	NYLON INSERT LOCK NUT - 3/8" UNC - PLTD - GRD 5	12
16	16-0707-0001	NYLON INSERT LOCK NUT - 1/4" UNC - PLTD - GRD 5	1
17	16-0207-0370	HEX BOLT - 5/8" X 2 1/2" UNC - PLTD - GRD 5	4
18	16-0207-0369	HEX BOLT - 5/8" X 2 1/4" UNC - PLTD - GRD 5	4
19	16-0207-0252	HEX BOLT - 1/2" X 2 1/2" UNC - PLTD - GRD 5	2
20	16-0207-0250	HEX BOLT - 1/2" X 2" UNC - PLTD - GRD 5	8
21	16-0207-0126	HEX BOLT - 3/8" X 1 1/4" UNC - PLTD - GRD 5	12
22	16-0207-0008	HEX BOLT - 1/4" X 1 1/4" UNC - PLTD - GRD 5	1
23	12-2800-0015	TENSION SPRING	2
26	106308	DRIVE BOX SLOT COVER PLATE	1
27	101857	DRIVE ROLLER STIFFENER	1
28	101856	PINCH ROLLER BUSHING	4



PART NO: 503023 TITLE: PTO POSITIVE DRIVE BOX
W/FIXED DRIVE ROLLER

ITEM	PART #	DESCRIPTION	QTY
3	501146	ROLLER - TYPE 5 X 22 X 1 1/4	2
24	12-2100-0018	ROLLER - TYPE 6 X 22 X 1.938	1
25	12-2100-0008	PTO DRIVE ROLLER - TYPE 6 X 22 X 1 15/16	1



PART NO: 503731 TITLE: HYDRAULIC DRIVE - 4000 SERIES - 109-1103

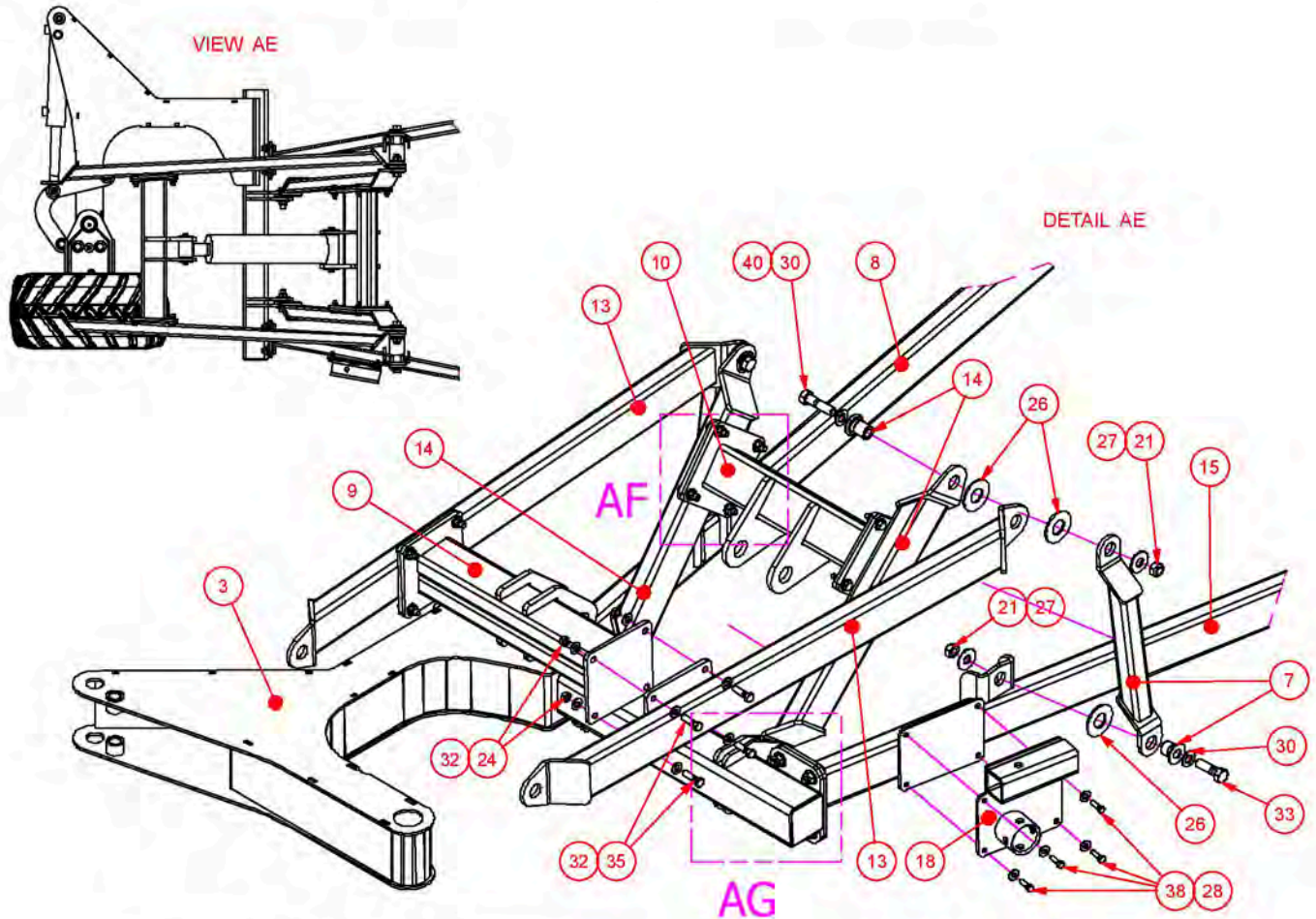
ITEM	PART #	DESCRIPTION	QTY
1	405194	#80 SPROCKET - 14 TOOTH - 1 1/2 BORE X HUB	1
2	405193	4000 SERIES HYDRAULIC MOTOR MOUNT BRACKET	1
3	402227	#80 SPROCKET - 14 TOOTH - 1 1/4 BORE X HUB	1
4	19-3000-0028	HYDRAULIC MOTOR - 4000 SERIES - 109-1103	1
5	16-2408-0009	SPRING LOCK WASHER - 1/4" - ZINC PLTD	8
6	16-2407-0003	CONE LOCK NUT - 1/2"-13 UNC - ZINC PLTD	12
7	16-1707-0002	U.S.S. FLAT WASHER - 1/4" - ZINC PLTD	8
8	16-1307-0006	S.A.E. FLAT WASHER - 1/2" - ZINC PLTD	12
9	16-0307-0248	CARRIAGE BOLT - 1/2" X 1 1/2" UNC - PLTD - GRD 5	4

ITEM	PART #	DESCRIPTION	QTY
10	16-0207-0249	HEX BOLT - 1/2" X 1 3/4" UNC - ZINC PLTD - GRD 5	4
11	16-0207-0248	HEX BOLT - 1/2" X 1 1/2" UNC - ZINC PLTD - GRD 5	4
12	16-0207-0004	HEX BOLT - 1/4" X 3/4" UNC - ZINC PLTD - GRD 5	8
13	117111	4000 SERIES HYDRAULIC MOTOR PLATE	1
14	116909	HYD. MOTOR COUPLER GUARD - POS. DRIVE	2
15	116907	STEP KEY STOCK - 5/16" X 1/4" X 2"	1
16	11-2300-0035	SQ KEY STOCK - 3/8" X 3/8" X 2"	1
17	11-1100-0012	ROLLER CHAIN DOUBLE - #80-2	1

This page intentionally left blank

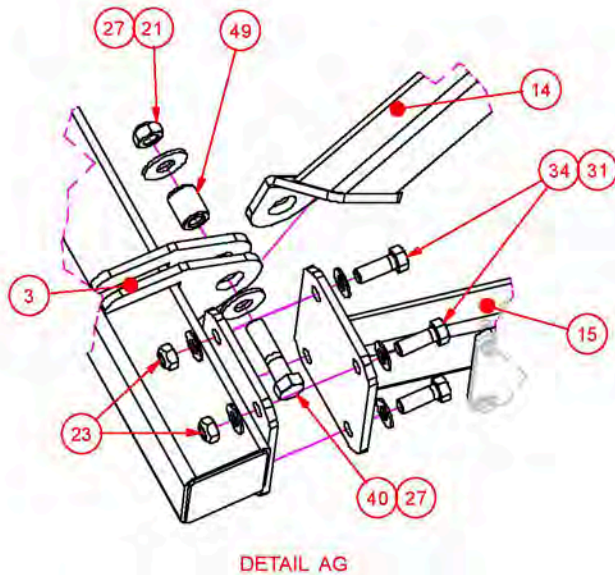
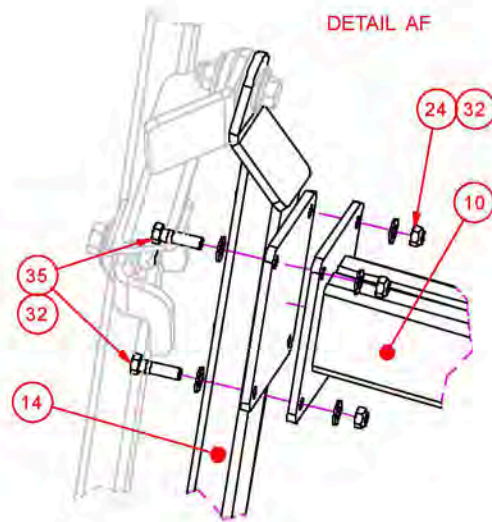
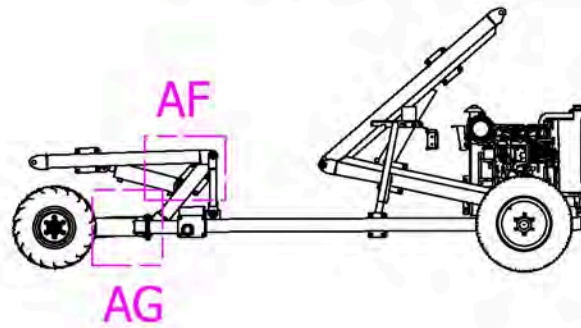
Section 2: UNDERCARRIAGE

This section contains the drawings and parts lists for the 2200-TL Series undercarriage.

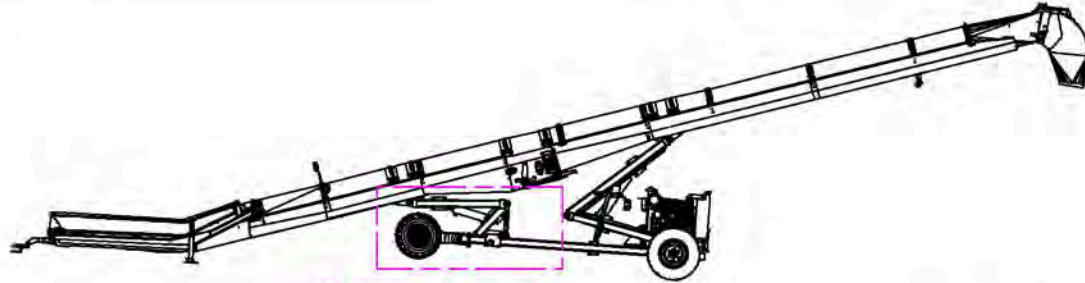


PART NO: 503641 TITLE: 2245-TL UNDERCARRIAGE

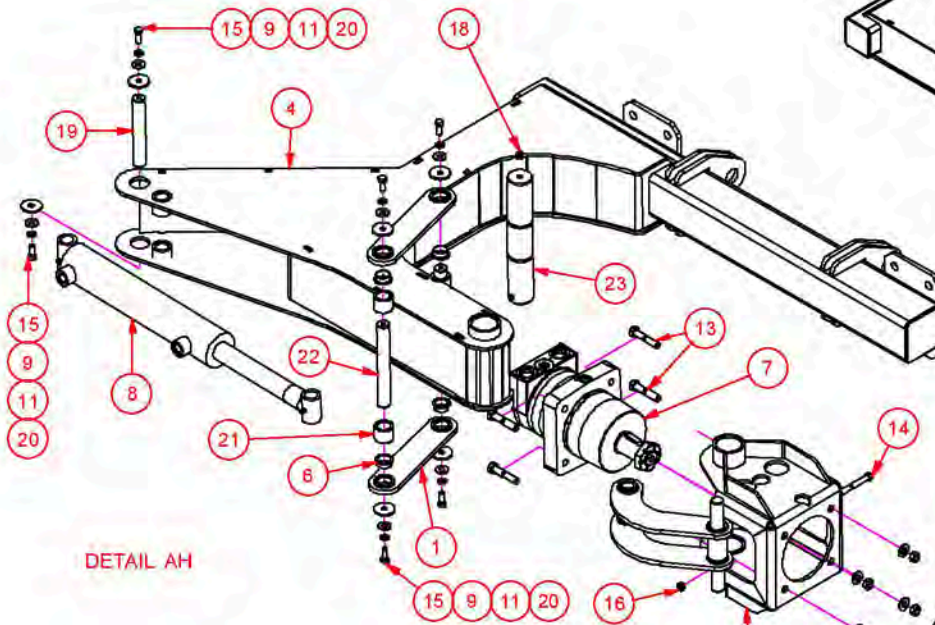
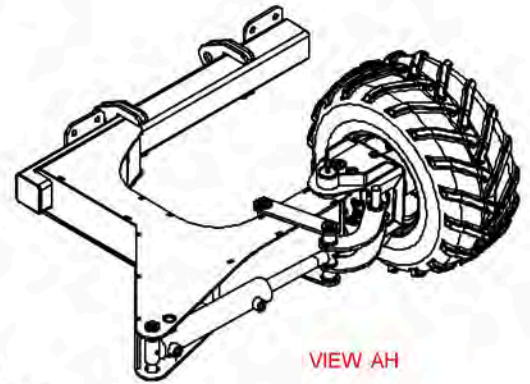
ITEM	PART #	DESCRIPTION	QTY	ITEM	PART #	DESCRIPTION	QTY
3	503769	MOVER KIT STEERING FRAME ASSEMBLY	1	26	16-1707-0018	U.S.S. FLAT WASHER - 1 1/4" - ZINC PLTD	10
7	405122	FRONT SCISSOR ARM STOP	2	27	16-1707-0009	U.S.S. FLAT WASHER - 3/4" - ZINC PLTD	14
8	405121	PASSENGER SIDE STABALIZER ARM	1	28	16-1707-0004	U.S.S. FLAT WASHER - 3/8" - ZINC PLTD	16
9	405120	FRONT UPPER SCISSOR ARM BRACE	1	30	16-1307-0009	S.A.E. FLAT WASHER - 3/4" - ZINC PLTD	6
10	405119	FRONT LOWER SCISSOR ARM BRACE	1	32	16-1307-0006	S.A.E. FLAT WASHER - 1/2" - ZINC PLTD	84
13	405097	FRONT UPPER SCISSOR ARM	2	33	16-0207-0430	HEX BOLT - 3/4" X 2 1/2" UNC - ZINC PLTD - GRD 5	4
14	405096	FRONT LOWER SCISSOR ARM	2	35	16-0207-0249	HEX BOLT - 1/2" X 1 3/4" UNC - ZINC PLTD - GRD 5	32
15	405080	DRIVER SIDE STABALIZER ARM	1	38	16-0207-0126	HEX BOLT - 3/8" X 1 1/4" UNC - ZINC PLTD - GRD 5	4
18	401561	JACK STORAGE BRACKET	1	40	16-0207-0021	HEX BOLT - 3/4" X 3" UNC - ZINC PLTD - GRD 5	6
21	16-2412-0002	CONE LOCK NUT - 3/4"-10 UNC - ZINC PLTD	10				
24	16-2407-0003	CONE LOCK NUT - 1/2"-13 UNC - ZINC PLTD	42				



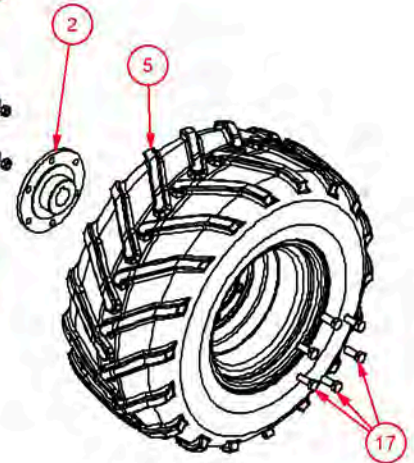
PART NO: 503641 TITLE: 2245-TL UNDERCARRIAGE			
ITEM	PART #	DESCRIPTION	QTY
3	503769	MOVER KIT STEERING FRAME ASSEMBLY	1
10	405119	FRONT LOWER SCISSOR ARM BRACE	1
14	405096	FRONT LOWER SCISSOR ARM	2
15	405080	DRIVER SIDE STABILIZER ARM	1
21	16-2412-0002	CONE LOCK NUT - 3/4"-10 UNC - ZINC PLTD	10
23	16-2407-0006	CONE LOCK NUT - 5/8"-11 UNC - ZINC PLTD	16
24	16-2407-0003	CONE LOCK NUT - 1/2"-13 UNC - ZINC PLTD	42
27	16-1707-0009	U.S.S. FLAT WASHER - 3/4" - ZINC PLTD	14
31	16-1307-0008	S.A.E. FLAT WASHER - 5/8" - ZINC PLTD	32
32	16-1307-0006	S.A.E. FLAT WASHER - 1/2" - ZINC PLTD	84
34	16-0207-0367	HEX BOLT - 5/8" X 1 3/4" UNC - ZINC PLTD - GRD 5	16
35	16-0207-0249	HEX BOLT - 1/2" X 1 3/4" UNC - ZINC PLTD - GRD 5	32
40	16-0207-0021	HEX BOLT - 3/4" X 3" UNC - ZINC PLTD - GRD 5	6
49	116516	SCISSOR BUSHING	4



AH



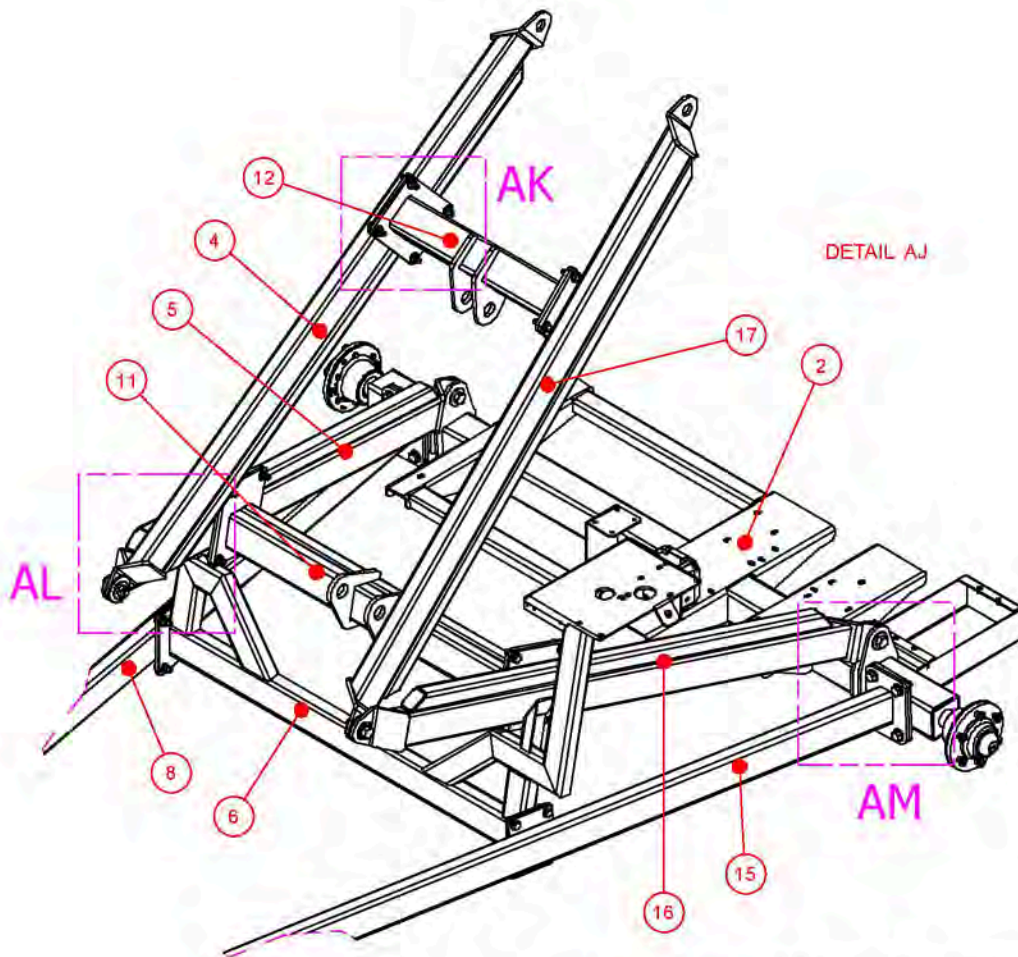
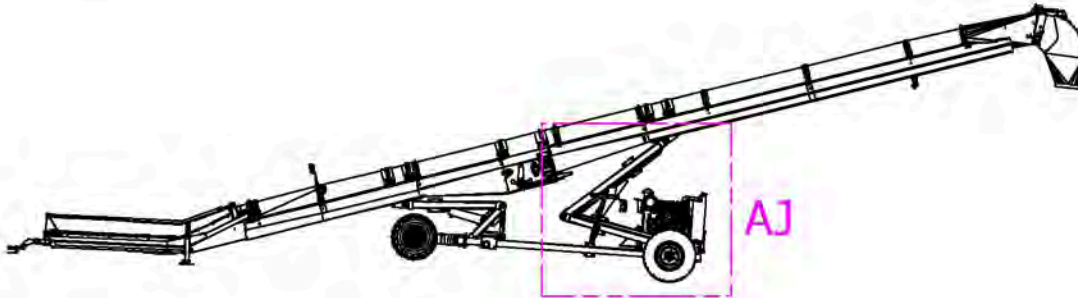
DETAIL AH



PART NO: 503769 TITLE: MOVER KIT STEERING FRAME ASSEMBLY

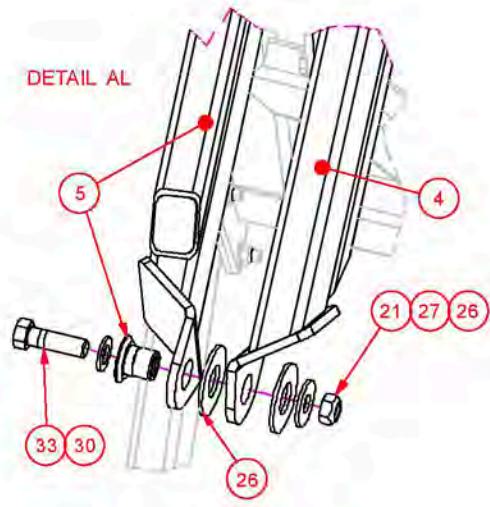
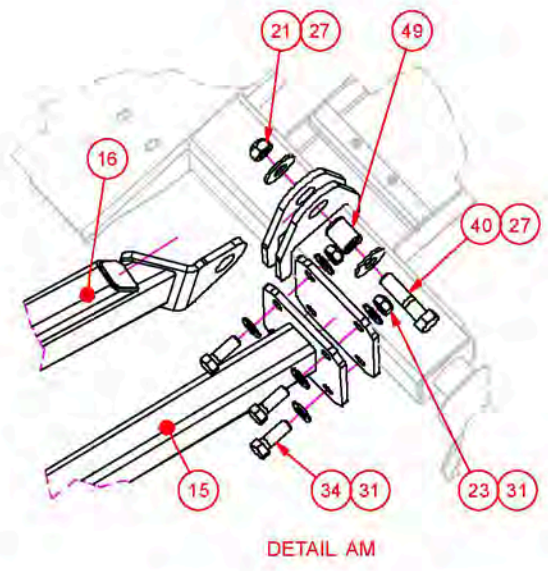
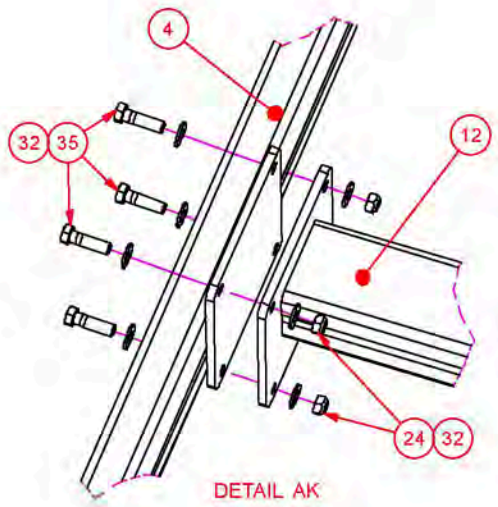
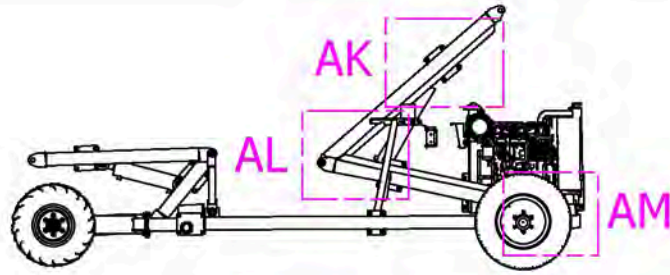
ITEM	PART #	DESCRIPTION	QTY
1	405233	FRAME TO CYLINDER PIVOT BRACKET	2
2	405232	MOVER WHEEL MOUNT HUB	1
3	405227	WHEEL/MOTOR MOUNT BRACKET	1
4	405207	MOVER KIT FRAME SUB ASSEMBLY	1
5	30-1500-0004	TIRE - COMPLETE - 26 X 12.00 X 12 NHS - 6 BOLT	1
6	21-1700-0001	IGLIDE PLAIN BEARING FLANGE - 1 X 1/2	4
7	19-3000-0052	HYD. WHEEL MOTOR - VIS 40 SERIES 30.7 CU. IN. - 180-0055	1
8	18-2500-0103	CYLINDER - HYDRAULIC - 2 1/2" BORE X 12" STROKE	1
9	16-2408-0007	SPRING LOCK WASHER - 3/8" - ZINC PLTD	6
10	16-2407-0003	CONE LOCK NUT - 1/2"-13 UNC - ZINC PLTD	4
11	16-1707-0004	U.S.S. FLAT WASHER - 3/8" - ZINC PLTD	6
12	16-1307-0006	S.A.E. FLAT WASHER - 1/2" - ZINC PLTD	4
13	16-0207-0252	HEX BOLT - 1/2" X 2 1/2" UNC - ZINC PLTD - GRD 5	4
14	16-0207-0134	HEX BOLT - 3/8" X 3" UNC - ZINC PLTD - GRD 5	1

ITEM	PART #	DESCRIPTION	QTY
15	16-0207-0124	HEX BOLT - 3/8" X 1" UNC - ZINC PLTD - GRD 5	6
16	15-1800-0004	CONE LOCK NUT - 3/8"-16 UNC - ZINC PLTD	1
17	12-2301-0003	WHEEL BOLT 9/16"-18 UNF X 1 1/2"	6
18	12-1001-0009	GREASE ZERK - 1/8" NPT SAE - STRAIGHT	1
19	117115	CYLINDER BASE PIVOT PIN	1
20	117103	PIN RETAINING PLATE	6
21	117102	FRAME TO CYLINDER PIVOT SPACER BUSHING	2
22	117101	FRAME TO CYLINDER PIVOT PIN	1
23	117085	WHEEL/MOTOR MOUNT PIVOT PIN	1



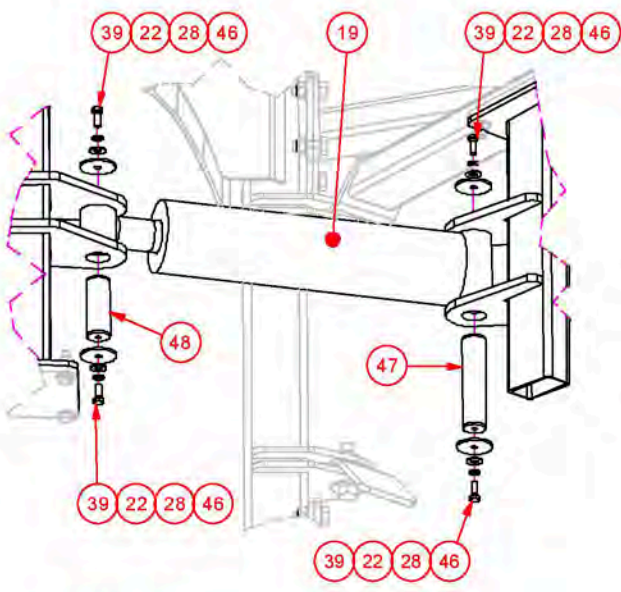
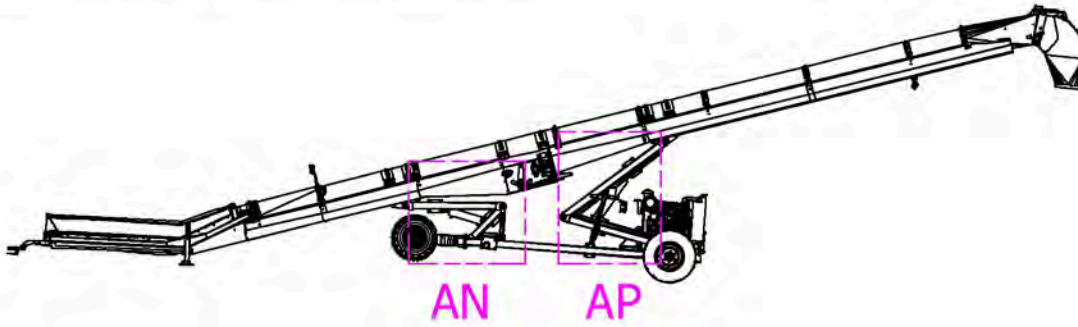
PART NO: 503641 TITLE: 2245-TL UNDERCARRIAGE

ITEM	PART #	DESCRIPTION	QTY
2	504132	STANDARD AXLE ASSEMBLY	1
4	405488	REAR UPPER SCISSOR ARM - RIGHT	1
5	405487	REAR LOWER SCISSOR ARM - RIGHT	1
6	405127	STABALIZER ARM BRACE	1
8	405121	PASSENGER SIDE STABALIZER ARM	1
11	405118	REAR BOTTOM SCISSOR ARM BRACE	1
12	405117	REAR UPPER SCISSOR ARM BRACE	1
15	405080	DRIVER SIDE STABALIZER ARM	1
16	405078	REAR LOWER SCISSOR ARM - LEFT	1
17	405056	REAR UPPER SCISSOR ARM - LEFT	1

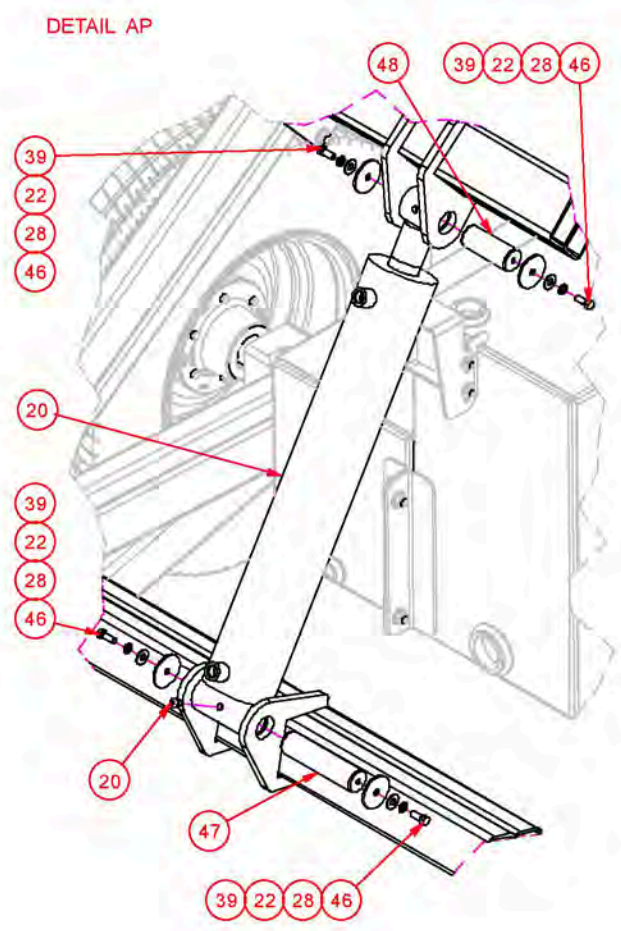


PART NO: 503641 TITLE: 2245-TL UNDERCARRIAGE

ITEM	PART #	DESCRIPTION	QTY
4	405488	REAR UPPER SCISSOR ARM - RIGHT	1
5	405487	REAR LOWER SCISSOR ARM - RIGHT	1
12	405117	REAR UPPER SCISSOR ARM BRACE	1
15	405080	DRIVER SIDE STABALIZER ARM	1
16	405078	REAR LOWER SCISSOR ARM - LEFT	1
21	16-2412-0002	CONE LOCK NUT - 3/4"-10 UNC - ZINC PLTD	10
23	16-2407-0006	CONE LOCK NUT - 5/8"-11 UNC - ZINC PLTD	16
24	16-2407-0003	CONE LOCK NUT - 1/2"-13 UNC - ZINC PLTD	42
26	16-1707-0018	U.S.S. FLAT WASHER - 1 1/4" - ZINC PLTD	10
27	16-1707-0009	U.S.S. FLAT WASHER - 3/4" - ZINC PLTD	14
30	16-1307-0009	S.A.E. FLAT WASHER - 3/4" - ZINC PLTD	6
31	16-1307-0008	S.A.E. FLAT WASHER - 5/8" - ZINC PLTD	32
32	16-1307-0006	S.A.E. FLAT WASHER - 1/2" - ZINC PLTD	84
33	16-0207-0430	HEX BOLT - 3/4" X 2 1/2" UNC - ZINC PLTD - GRD 5	4
34	16-0207-0367	HEX BOLT - 5/8" X 1 3/4" UNC - ZINC PLTD - GRD 5	16
35	16-0207-0249	HEX BOLT - 1/2" X 1 3/4" UNC - ZINC PLTD - GRD 5	32
40	16-0207-0021	HEX BOLT - 3/4" X 3" UNC - ZINC PLTD - GRD 5	6
49	116516	SCISSOR BUSHING	4

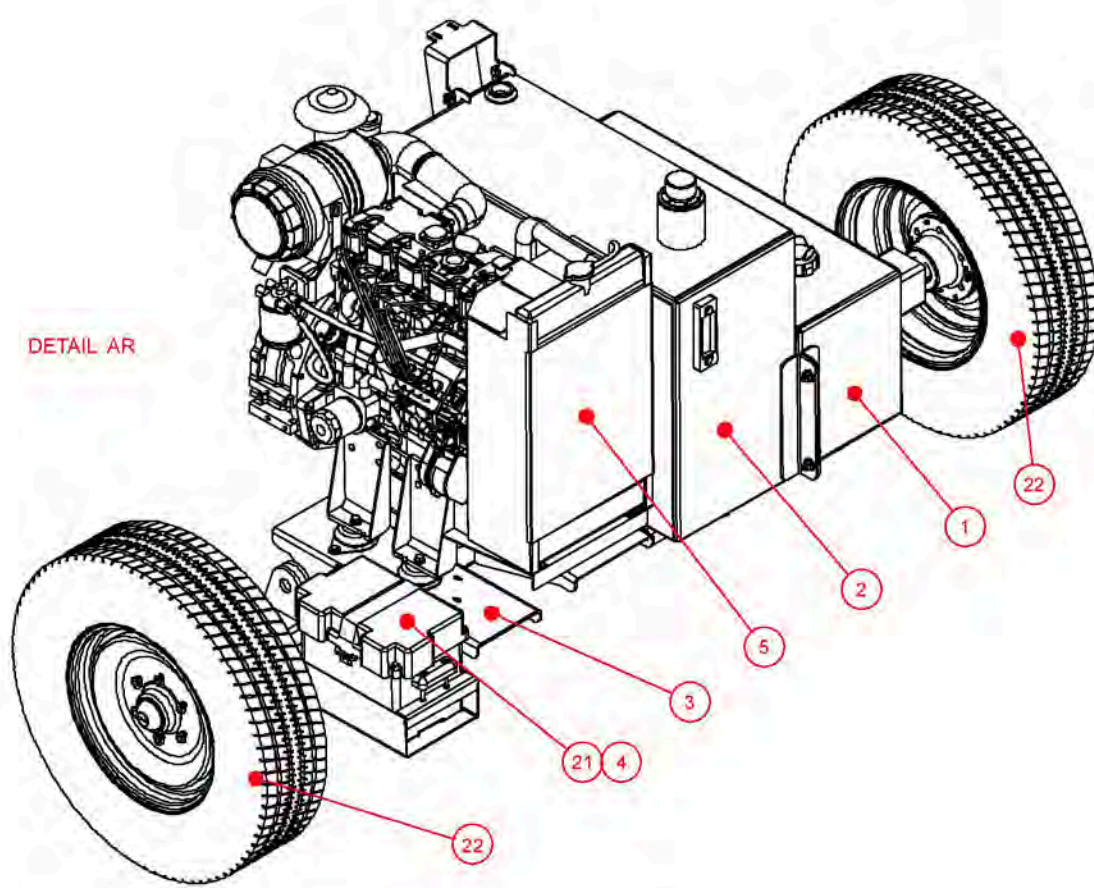
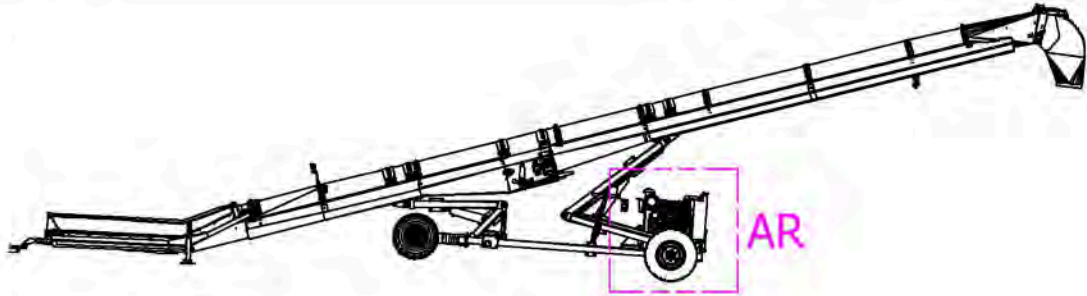


DETAIL AN



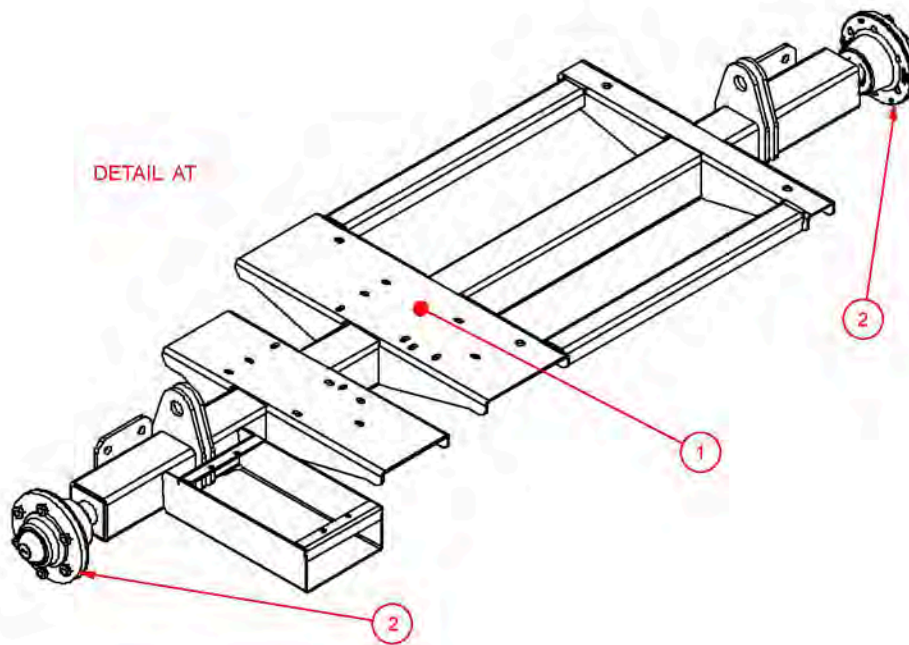
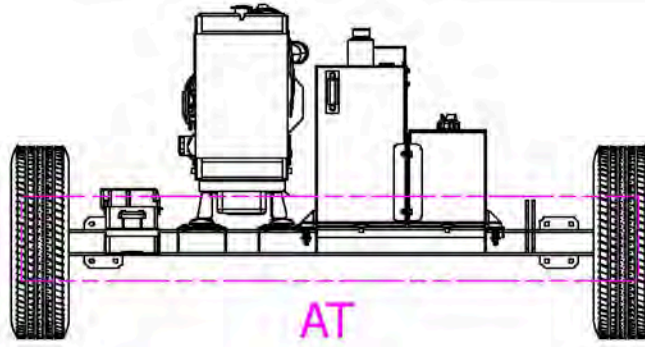
PART NO: 503641 TITLE: 2245-TL UNDERCARRIAGE

ITEM	PART #	DESCRIPTION	QTY
19	18-2500-0104	CYLINDER - HYDRAULIC - 4" BORE X 14" STROKE	1
20	18-2500-0051	CYLINDER - HYDRAULIC - 4" BORE X 24" STROKE	1
22	16-2408-0007	SPRING LOCK WASHER - 3/8" - ZINC PLTD	8
28	16-1707-0004	U.S.S. FLAT WASHER - 3/8" - ZINC PLTD	16
39	16-0207-0124	HEX BOLT - 3/8" X 1" UNC - ZINC PLTD - GRD 5	8
46	117108	PIN RETAINING PLATE	8
47	117107	CYLINDER MOUNT BASE PIN - 1 1/2" X 6 1/8"	2
48	116523	PIN - 1 1/2 X 3 7/8	2



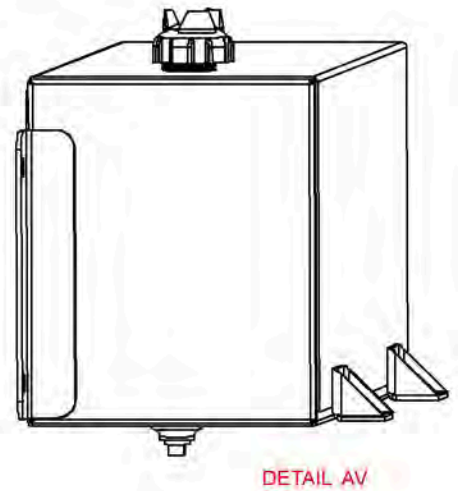
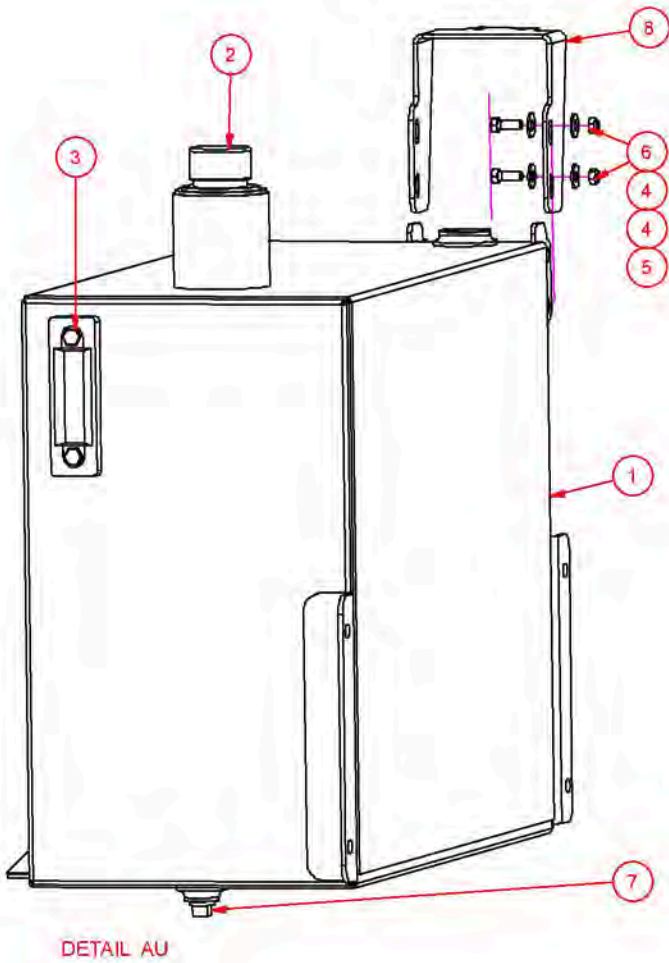
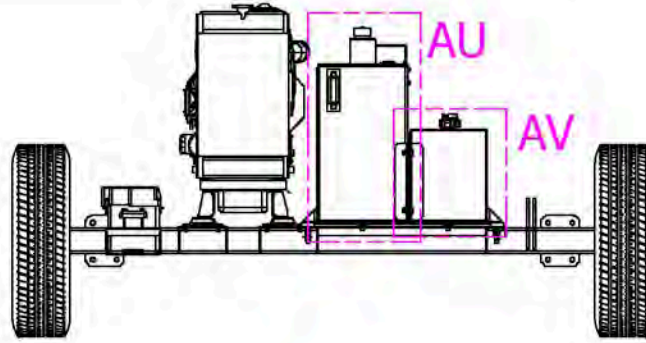
PART NO: 504132 TITLE: STANDARD AXLE ASSEMBLY

ITEM	PART #	DESCRIPTION	QTY
1	503662	FUEL TANK - 25 GALLON	1
2	503661	HYDRAULIC TANK	1
3	503642	REAR MAIN AXLE	1
4	33-0000-0010	BATTERY - DEEP CYCLE 500CCA EPB 24DCM	1
5	19-5000-0120	DIESEL ENGINE - 50 HP - CAT	1
21	14-1100-0031	PLASTIC BATTERY BOX - SMALL	1
22	12-1801-0062	WHEEL - ST235/85R16 LRE - C/W 6 BOLT RIM AG	2



PART NO: 503642 TITLE: REAR MAIN AXLE

ITEM	PART #	DESCRIPTION	QTY
1	405079	REAR AXLE	1
2	12-2300-0005	DEXTER 6 BOLT AG WHEEL HUB - H614	2

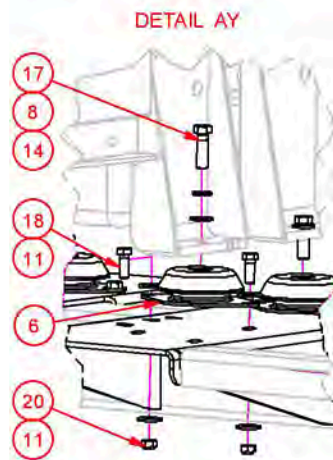
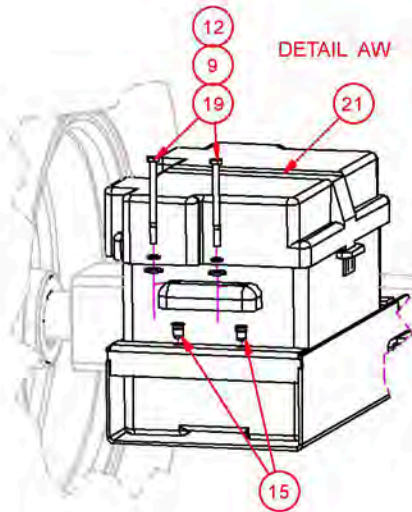
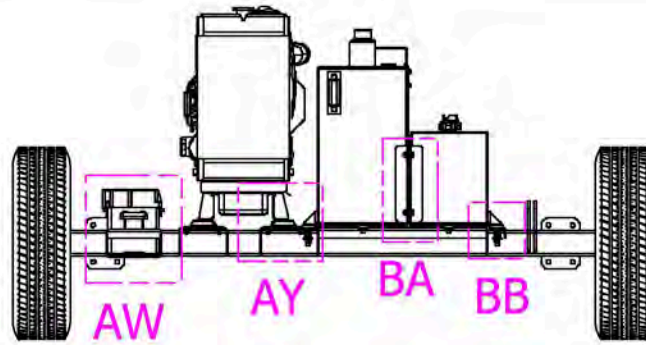


PART NO: 503661 TITLE: HYDRAULIC TANK

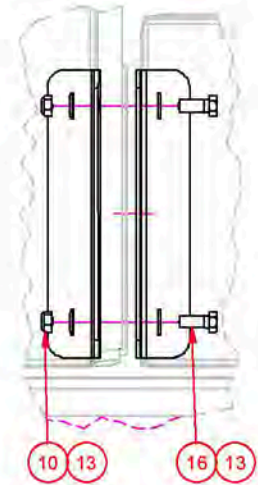
ITEM	PART #	DESCRIPTION	QTY
1	405128	HYD TANK 50 GALLON	1
2	18-7500-0033	FILLER BREATHER ASSY	1
3	18-3000-0026	HYD - RESERVOIR - OIL LEVEL GAUGE	1
4	16-1707-0004	U.S.S. FLAT WASHER - 3/8" - ZINC PLTD	8
5	16-0207-0124	HEX BOLT - 3/8" X 1" UNC - ZINC PLTD - GRD 5	4
6	15-1800-0004	CONE LOCK NUT - 3/8"-16 UNC - ZINC PLTD	4
7	15-1600-0002	PLUG - SQUARE HEAD - 3/4 - BLACK	1
8	117444	OIL FILTER MOUNT BRACKET	1

PART NO: 503662 TITLE: FUEL TANK

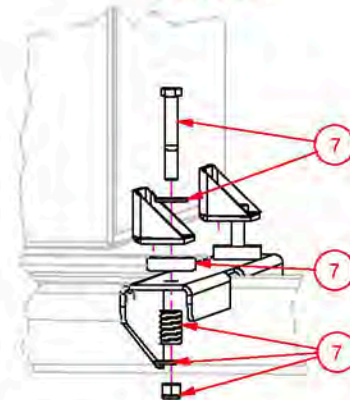
ITEM	PART #	DESCRIPTION	QTY
1	405130	FUEL TANK 25 GALLON	1
2	19-9000-0003	FUEL CAP	1
3	15-1600-0002	PLUG - SQUARE HEAD - 3/4 - BLACK	1



DETAIL BA

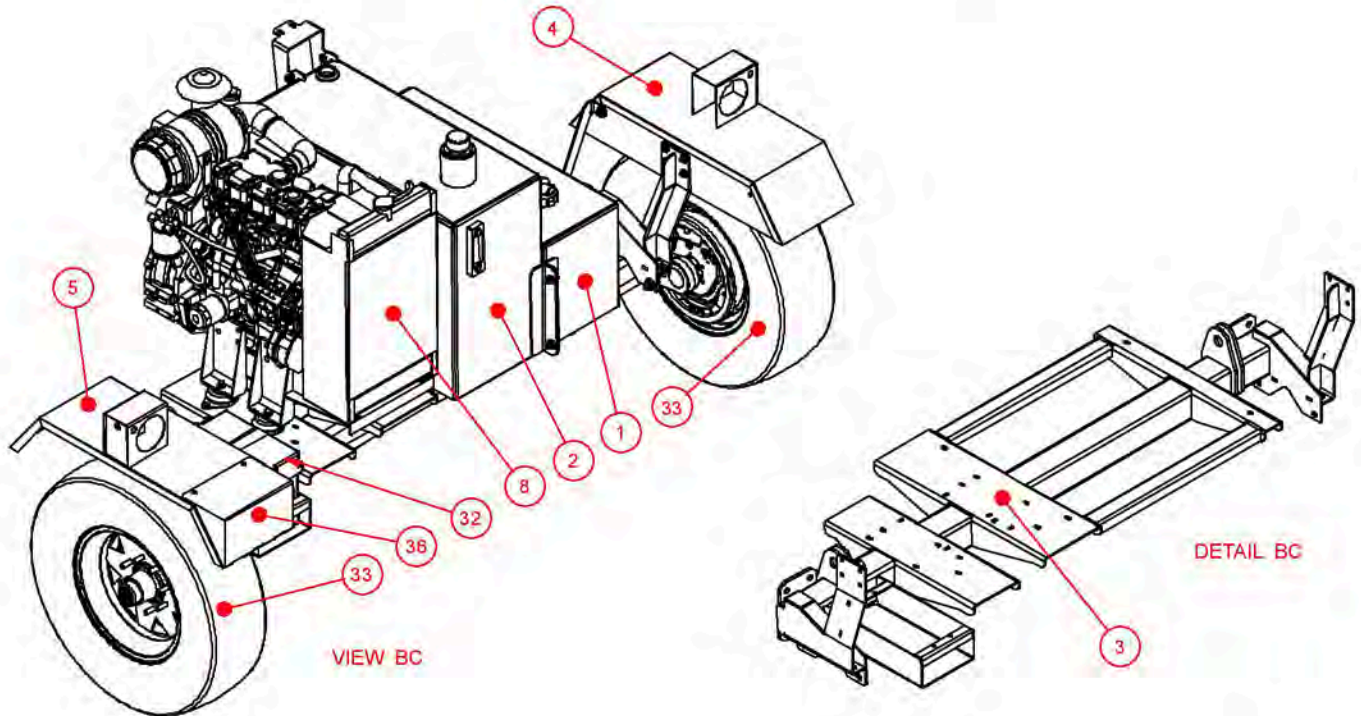
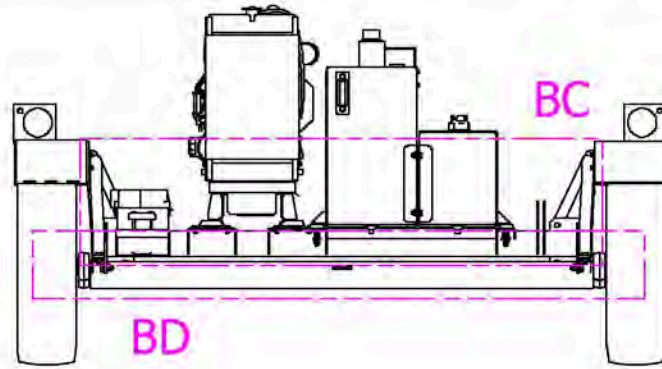


DETAIL BB



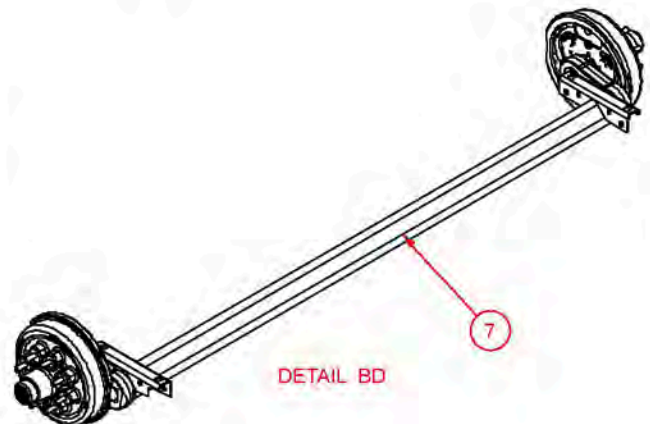
PART NO: 504132 TITLE: STANDARD AXLE ASSEMBLY

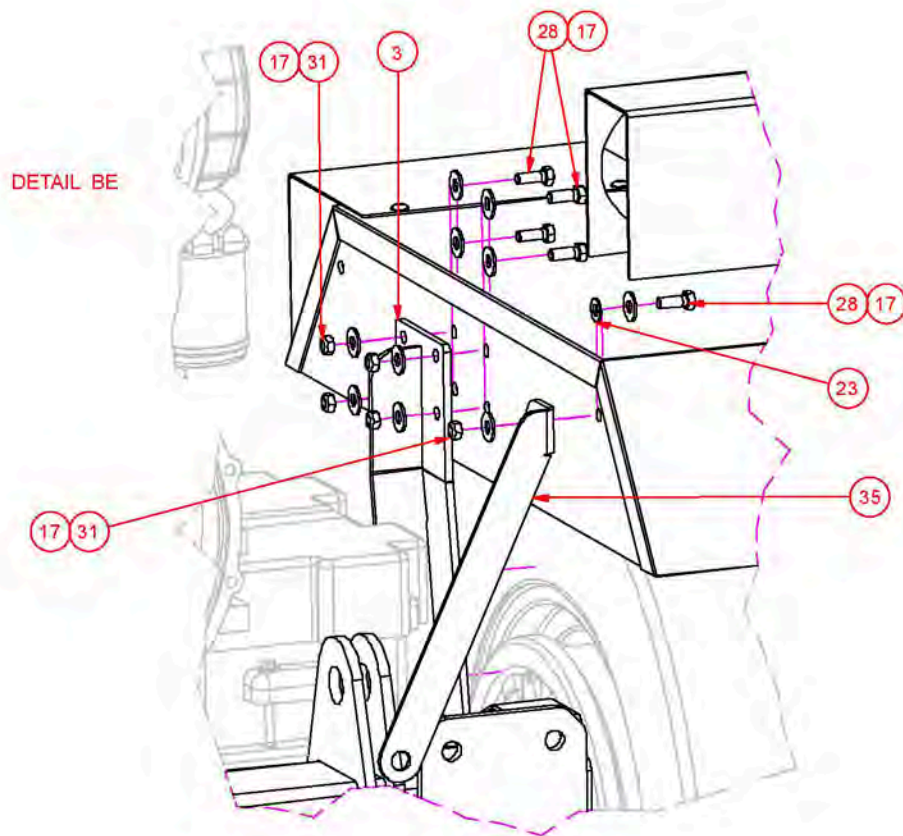
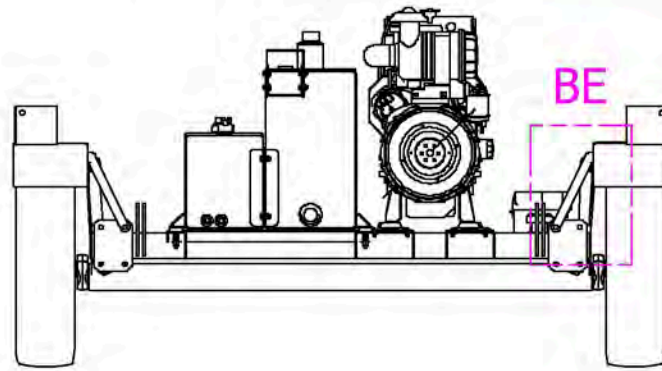
ITEM	PART #	DESCRIPTION	QTY
6	19-5000-0080	DIESEL ENGINE - MOTOR MOUNT - 83-130HP	4
7	18-9001-0003	HYD. TANK MOUNTING KIT - UR50MK	4
8	16-2408-0010	SPRING LOCK WASHER - 7/16" - ZINC PLTD	4
9	16-2408-0009	SPRING LOCK WASHER - 1/4" - ZINC PLTD	4
10	16-2407-0003	CONE LOCK NUT - 1/2"-13 UNC - ZINC PLTD	4
11	16-1707-0004	U.S.S. FLAT WASHER - 3/8" - ZINC PLTD	16
12	16-1707-0002	U.S.S. FLAT WASHER - 1/4" - ZINC PLTD	4
13	16-1307-0006	S.A.E. FLAT WASHER - 1/2" - ZINC PLTD	8
14	16-1307-0005	S.A.E. FLAT WASHER - 7/16" - ZINC PLTD	4
15	16-1200-0020	BLIND RIVET NUT - 1/4-20 UNC X 0.027 - 0.165 - STEEL	4
17	16-0207-0191	HEX BOLT - 7/16" X 1 1/2" UNC - ZINC PLTD - GRD 5	4
18	16-0207-0124	HEX BOLT - 3/8" X 1" UNC - ZINC PLTD - GRD 5	8
19	16-0207-0018	HEX BOLT - 1/4" X 3 1/2" UNC - ZINC PLTD - GRD 5	4
20	15-1800-0004	CONE LOCK NUT - 3/8"-16 UNC - ZINC PLTD	8
21	14-1100-0031	PLASTIC BATTERY BOX - SMALL	1



PART NO: 504133 TITLE: TORSION AXLE ASSEMBLY

ITEM	PART #	DESCRIPTION	QTY
1	503662	FUEL TANK - 25 GALLON	1
2	503661	HYDRAULIC TANK	1
3	405485	REAR AXLE	1
4	402029R	STEEL FENDER - RIGHT	1
5	402029L	STEEL FENDER - LEFT	1
7	30-2000-0003	8 BOLT AXLE - 7000 LBS	1
8	19-5000-0120	DIESEL ENGINE - 50 HP - CAT	1
32	14-1100-0031	PLASTIC BATTERY BOX - SMALL	1
33	12-1801-0036	R16	2
34	118222	FENDER BRACE FLAT BAR - RIGHT	1
35	118221	FENDER BRACE FLAT BAR - LEFT	1
36	108302	LICENCE PLATE HOLDER	1



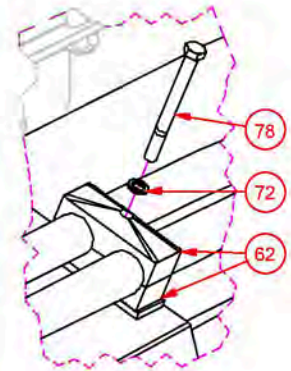
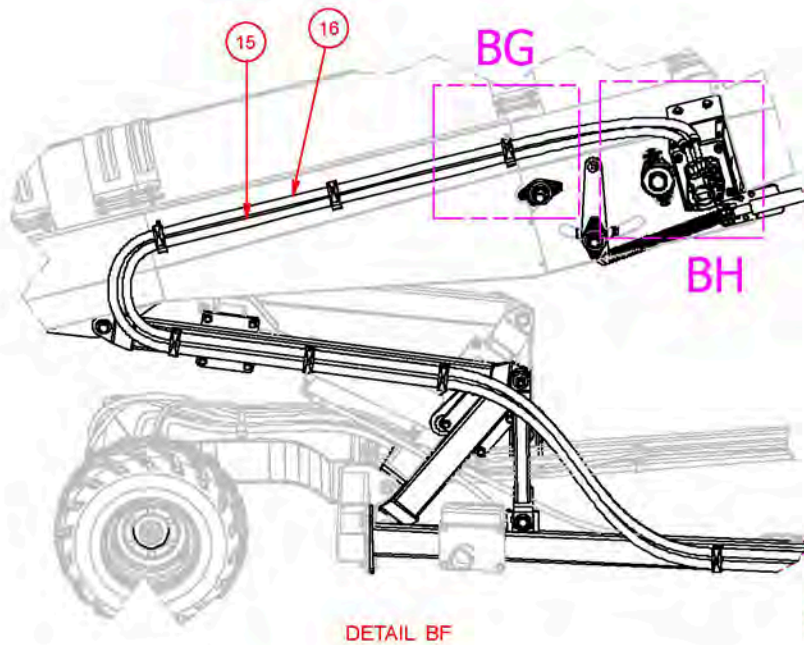
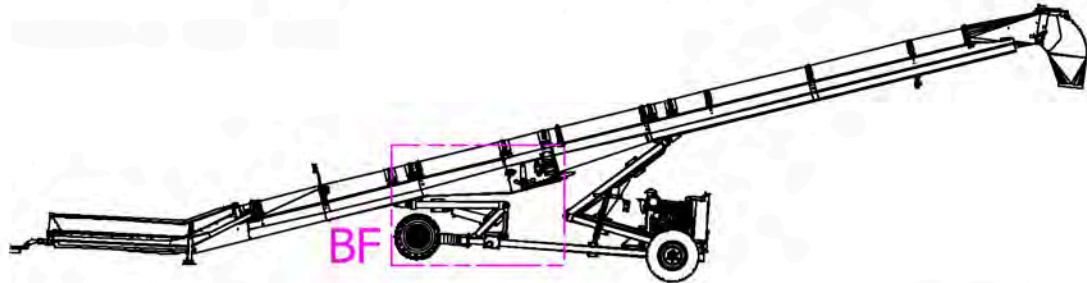


PART NO: 504133 TITLE: TORSION AXLE ASSEMBLY

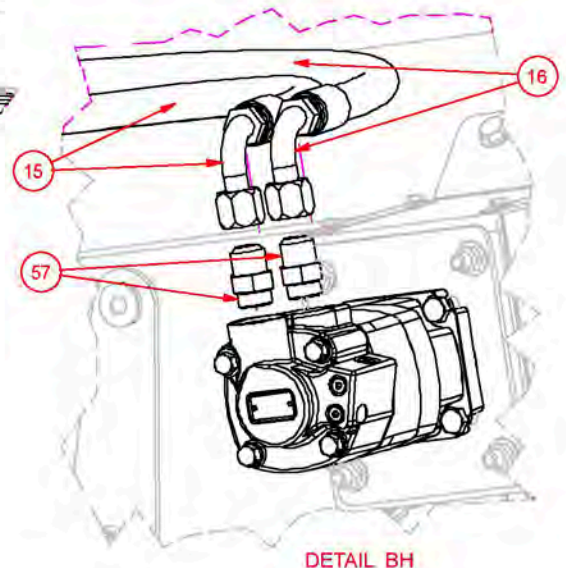
ITEM	PART #	DESCRIPTION	QTY
3	405485	REAR AXLE	1
4	402029R	STEEL FENDER - RIGHT	1
5	402029L	STEEL FENDER - LEFT	1
17	16-1707-0004	U.S.S. FLAT WASHER - 3/8" - ZINC PLTD	36
23	16-1307-0004	S.A.E. FLAT WASHER - 3/8" - ZINC PLTD	2
28	16-0207-0124	HEX BOLT - 3/8" X 1" UNC - ZINC PLTD - GRD 5	18
31	15-1800-0004	CONE LOCK NUT - 3/8"-16 UNC - ZINC PLTD	18
34	118222	FENDER BRACE FLAT BAR - RIGHT	1
35	118221	FENDER BRACE FLAT BAR - LEFT	1

Section 3: HYDRAULICS

This section contains the drawings and parts lists for the hydraulics on the 2200-TL Series.



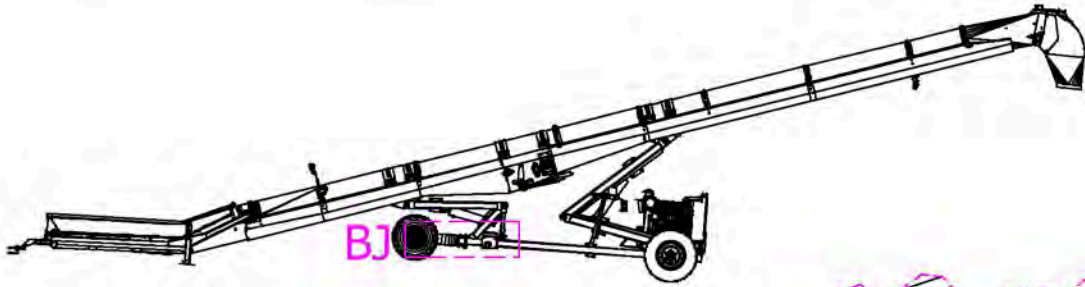
DETAIL BG



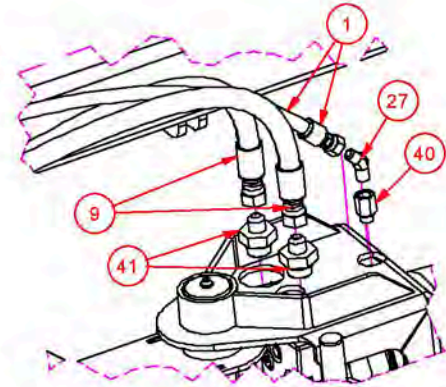
DETAIL BH

PART NO: 504220 TITLE: HYDRAULICS

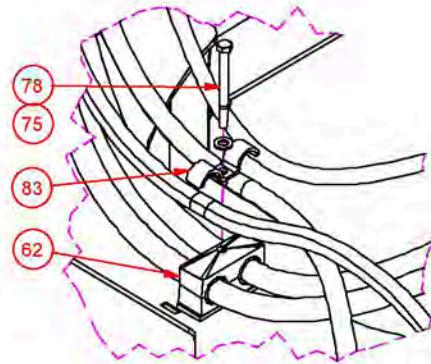
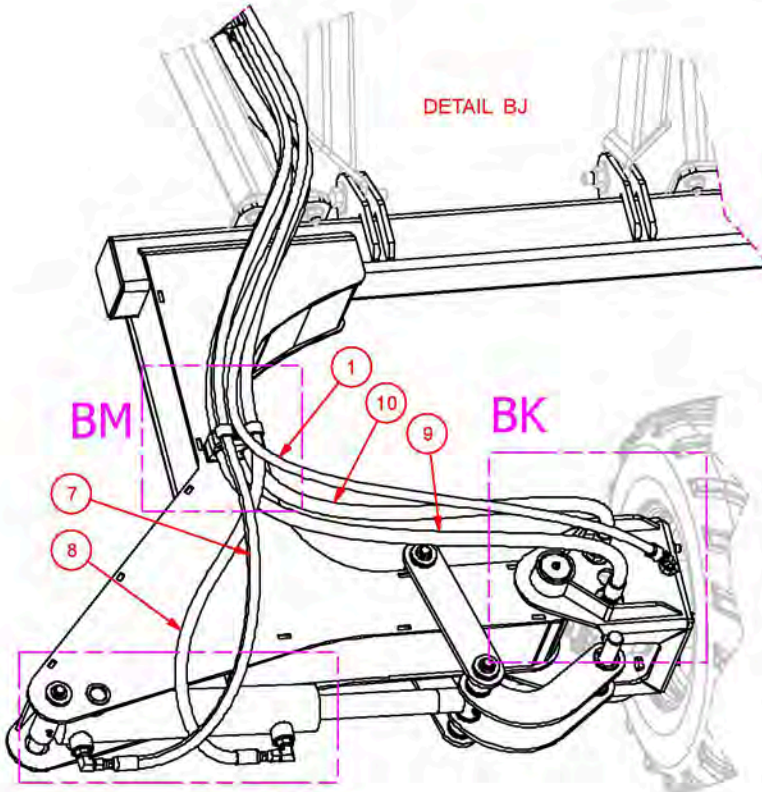
ITEM	PART #	DESCRIPTION	QTY
15	504229	12WC-12FJX 90° TO HYD. HOSE 3/4" - 257" TO 12WC-12FJX	1
16	504228	12WC-12FJX 90° TO HYD. HOSE 3/4" - 264" TO 12WC-12FJX	1
57	18-3500-0045	12MB-12MJ	2
62	18-3000-0085	TSCP075-TWIN-PIPE-CLAMP-3/4" I.D.	15
72	16-2408-0006	SPRING LOCK WASHER - 5/16" - ZINC PLTD	10
78	16-0207-0077	HEX BOLT - 5/16" X 3 1/2" UNC - ZINC PLTD - GRD 5	15



DETAIL BJ

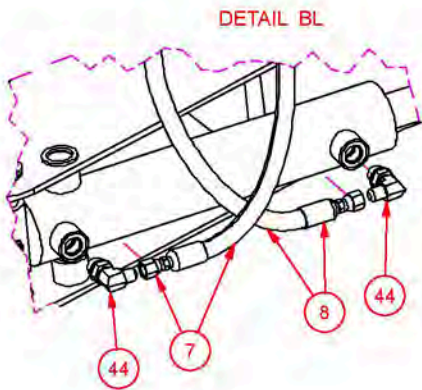


DETAIL BK



DETAIL BM

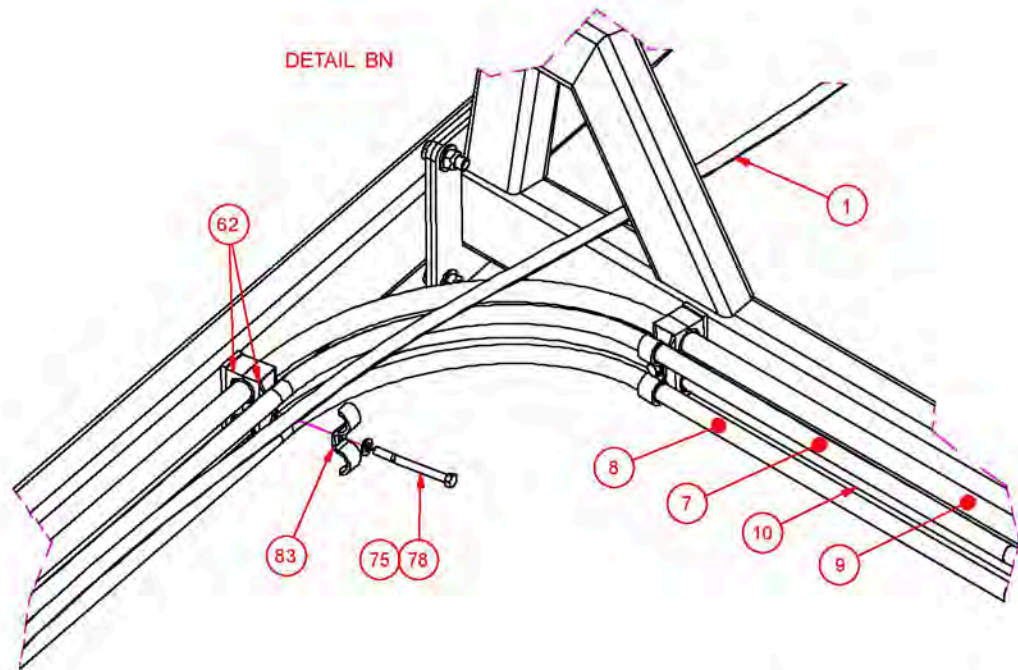
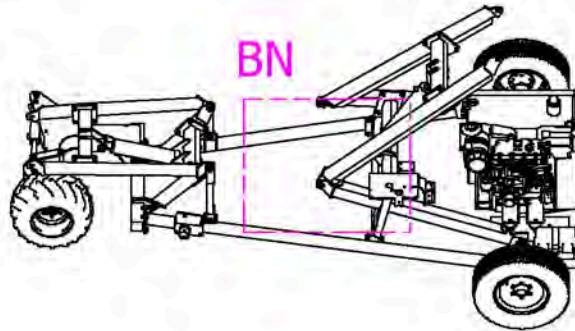
BL



DETAIL BL

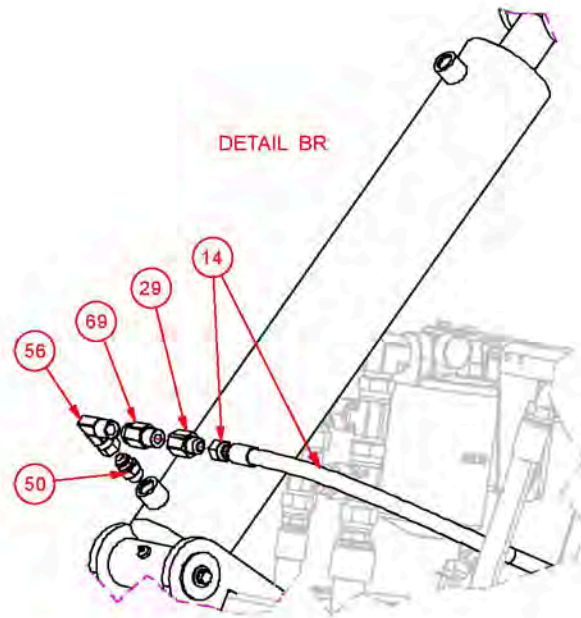
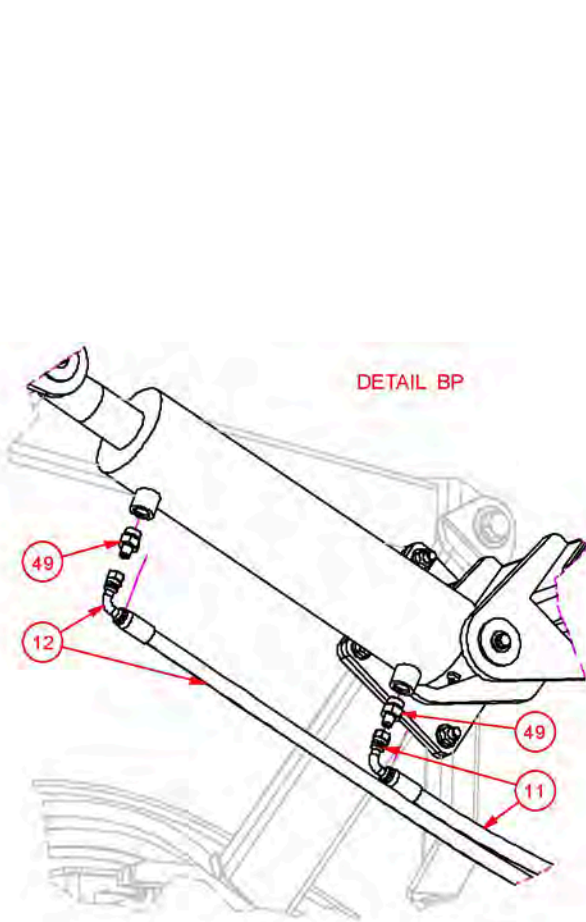
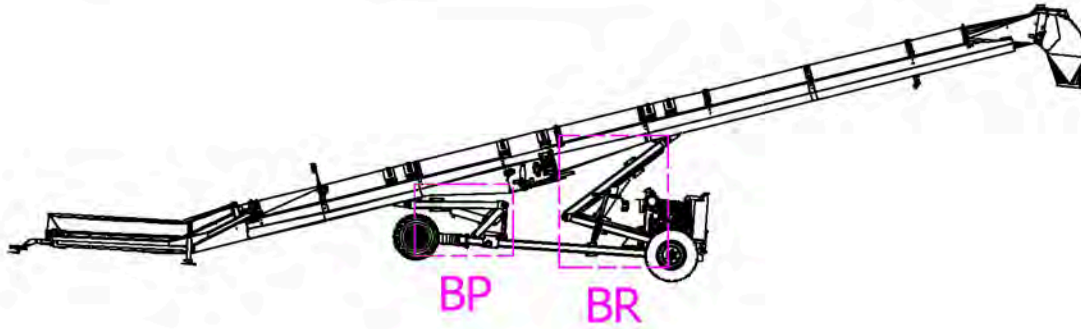
PART NO: 504220 TITLE: HYDRAULICS

ITEM	PART #	DESCRIPTION	QTY
1	504249	4WC-6FJX TO HYD. HOSE 1/4" - 165" TO 4WC-6FJX	1
7	504241	6WC-6FJX TO HYD. HOSE 3/8" - 186" TO 6WC-6FJX	1
8	504240	6WC-6FJX TO HYD. HOSE 3/8" - 186" TO 6WC-6FJX	1
9	504235	8WC-8FJX TO HYD. HOSE 1/2" - 196.5" TO 8WC-8FJX	1
10	504234	8WC-8FJX TO HYD. HOSE 1/2" - 196.5" TO 8WC-8FJX	1
27	18-3500-0447	6MJ-4MP 45°	1
40	18-3500-0305	6MB-4FP	1
41	18-3500-0304	12MB-8MJ	3
44	18-3500-0284	8MB - 6MJ 90	2
62	18-3000-0085	TSCP075-TWIN-PIPE-CLAMP-3/4" I.D.	15
75	16-1307-0003	S.A.E. FLAT WASHER - 5/16" - ZINC PLTD	14
78	16-0207-0077	HEX BOLT - 5/16" X 3 1/2" UNC - ZINC PLTD - GRD 5	15
83	113188	DUAL HOSE CLAMP	10



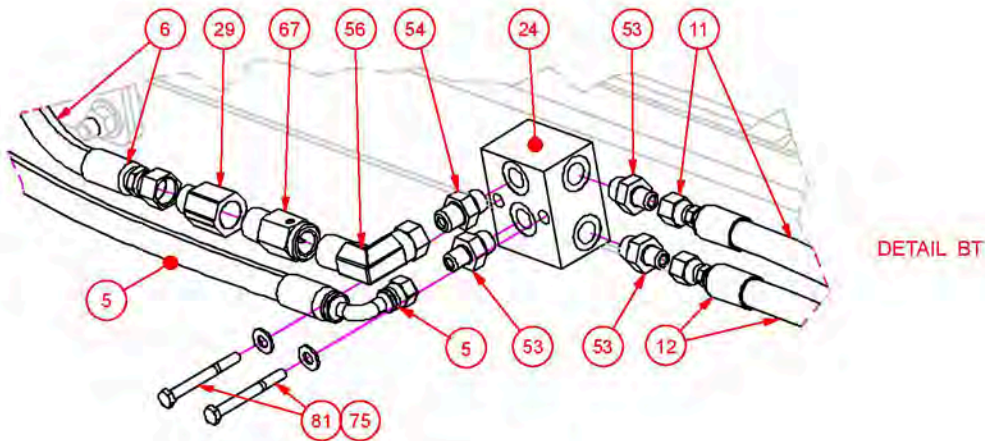
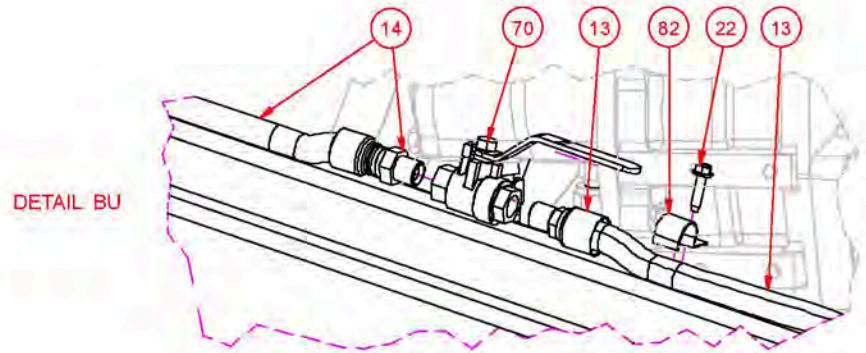
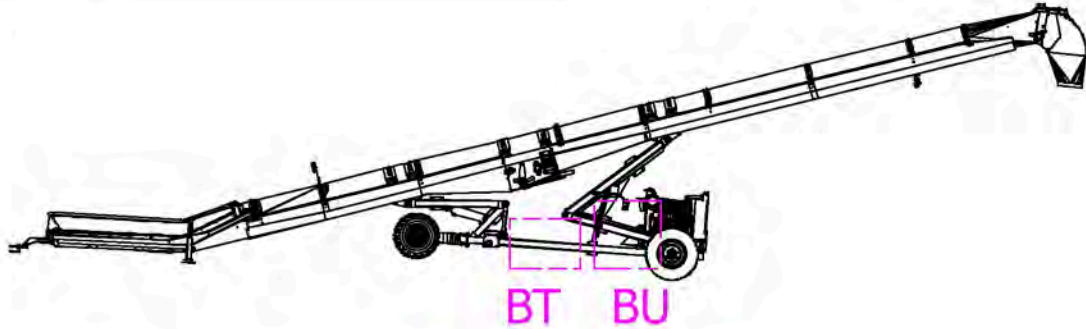
PART NO: 504220 TITLE: HYDRAULICS

ITEM	PART #	DESCRIPTION	QTY
1	504249	4WC-6FJX TO HYD. HOSE 1/4" - 165" TO 4WC-6FJX	1
7	504241	6WC-6FJX TO HYD. HOSE 3/8" - 186" TO 6WC-6FJX	1
8	504240	6WC-6FJX TO HYD. HOSE 3/8" - 186" TO 6WC-6FJX	1
9	504235	8WC-8FJX TO HYD. HOSE 1/2" - 196.5" TO 8WC-8FJX	1
10	504234	8WC-8FJX TO HYD. HOSE 1/2" - 196.5" TO 8WC-8FJX	1
62	18-3000-0085	TSCP075-TWIN-PIPE-CLAMP-3/4" I.D.	15
75	16-1307-0003	S.A.E. FLAT WASHER - 5/16" - ZINC PLTD	14
78	16-0207-0077	HEX BOLT - 5/16" X 3 1/2" UNC - ZINC PLTD - GRD 5	15
83	113188	DUAL HOSE CLAMP	10



PART NO: 504220 TITLE: HYDRAULICS

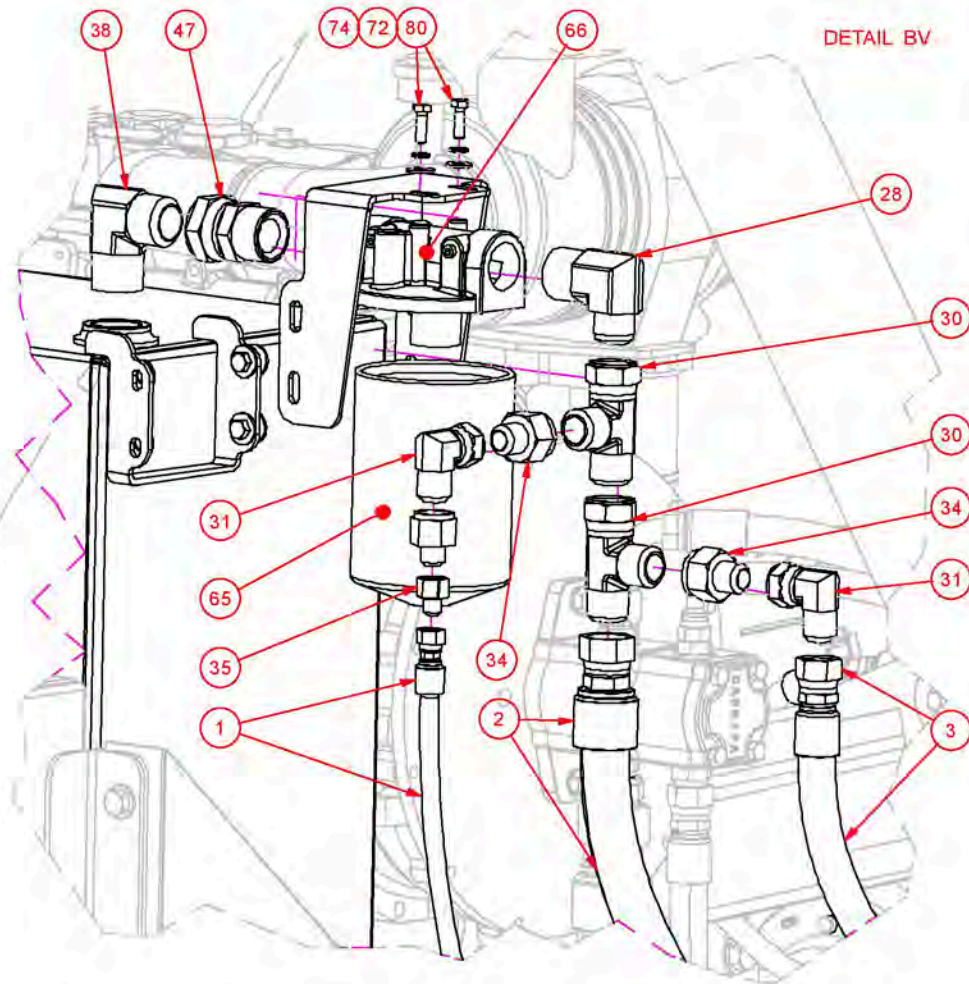
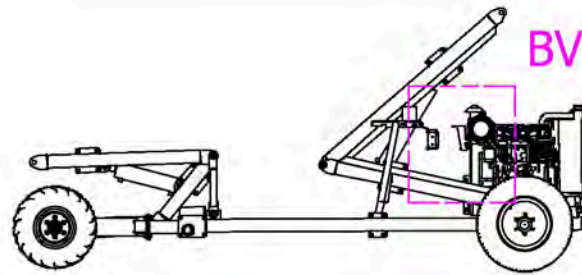
ITEM	PART #	DESCRIPTION	QTY
11	504233	6WC-6FJX TO HYD. HOSE 3/8" - 55" TO 6WC-6FJX 90°	1
12	504232	6WC-6FJX TO HYD. HOSE 3/8" - 72" TO 6WC-6FJX 90°	1
14	504230	6WC-6MPX TO HYD. HOSE 3/8" - 49" TO 6WC-8FJX	1
29	18-3500-0406	8MJ - 8FP	2
49	18-3500-0197	8MB - 6MJ	9
50	18-3500-0178	*VARIES*	4
56	18-3500-0092	8MP - 8FJX90	2
69	18-1000-0002	8MP-8FP RESTRICTOR .062	1



PART NO: 504220 TITLE: HYDRAULICS

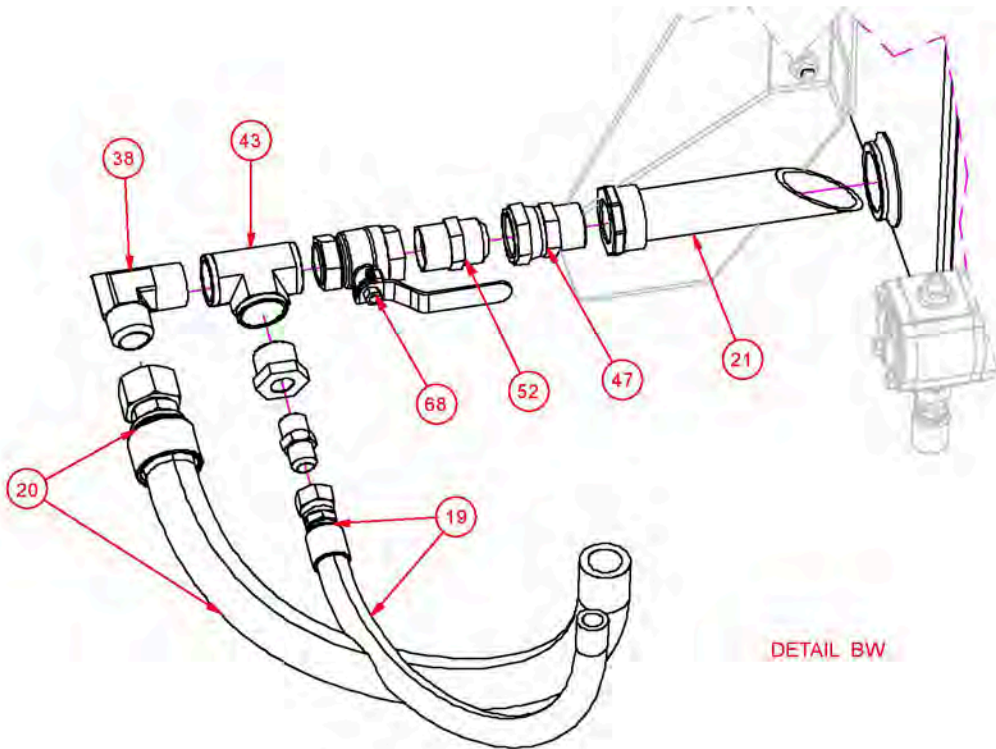
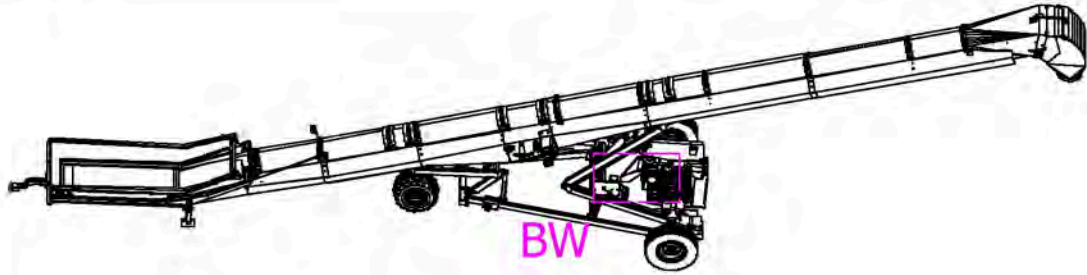
ITEM	PART #	DESCRIPTION	QTY
5	504245	6WC-6FJX TO HYD. HOSE 3/8" - 48" TO 6WC-6FJX 90°	1
6	504242	6WC-6FJX TO HYD. HOSE 3/8" - 43" TO 6WC-8FJX	1
11	504233	6WC-6FJX TO HYD. HOSE 3/8" - 55" TO 6WC-6FJX 90°	1
12	504232	6WC-6FJX TO HYD. HOSE 3/8" - 72" TO 6WC-6FJX 90°	1
13	504231	6WC-6MP TO HYD. HOSE 3/8" - 90" TO 6WC-6FJX	1
14	504230	6WC-6MPX TO HYD. HOSE 3/8" - 49" TO 6WC-8FJX	1
22	24-2200-0004	SELF TAPPING SCREW - 1/4" X 1" - ZINC PLTD	8

ITEM	PART #	DESCRIPTION	QTY
24	18-4500-0144	MANIFOLD - HYD WHEEL LIFT LOCK BLOCK	1
29	18-3500-0406	8MJ - 8FP	2
53	18-3500-0119	6MB - 6MJ	3
54	18-3500-0118	6MB - 8MJ	1
56	18-3500-0092	8MP - 8FJX90	2
67	18-1000-0013	8MP-8FP RESTRICTOR .052	1
70	18-1000-0001	3/8" BALL VALVE	1
75	16-1307-0003	S.A.E. FLAT WASHER - 5/16" - ZINC PLTD	14
81	16-0207-0014	HEX BOLT - 1/4" X 2 1/2" UNC - ZINC PLTD - GRD 5	2
82	14-1500-0001	1 HOLE EMT STRAP - 1/2"	7



PART NO: 504220 TITLE: HYDRAULICS

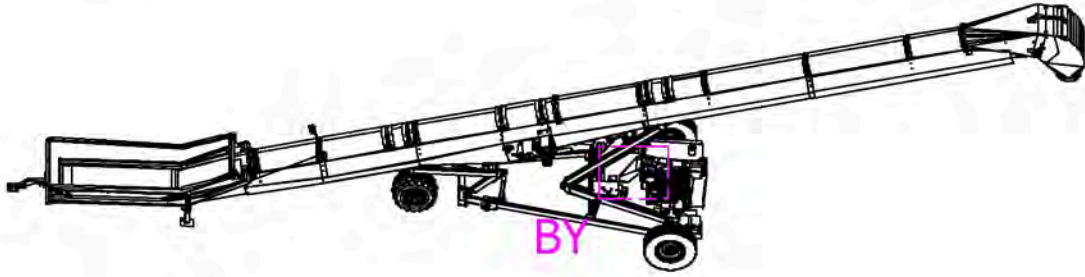
ITEM	PART #	DESCRIPTION	QTY
1	504249	4WC-6FJX TO HYD. HOSE 1/4" - 165" TO 4WC-6FJX	1
2	504248	16WC-16FJX TO HYD. HOSE 1" - 70" TO 16WC-16FJX	1
3	504247	12WC-12FJX 90° TO HYD. HOSE 3/4" - 78" TO 12WC-12FJX	1
28	18-3500-0444	16MJ-20MP-90	1
30	18-3500-0390	16FJXR-16MJT	2
31	18-3500-0387	12FJX - 12MJ-90	2
34	18-3500-0361	16FJ-12MJ	2
35	18-3500-0350	8FJ - 6MJ	1
38	18-3500-0322	20MJ-20MP-90	2
47	18-3500-0239	20MP-20FJX	2
65	18-3000-0033	HYDRAULIC OIL FILTER	1
66	18-3000-0032	SPIN ON FILTER HOUSING	1
72	16-2408-0006	SPRING LOCK WASHER - 5/16" - ZINC PLTD	10
74	16-1707-0003	U.S.S. FLAT WASHER - 5/16" - ZINC PLTD	2
80	16-0207-0065	HEX BOLT - 5/16" X 1" UNC - ZINC PLTD - GRD 5	2



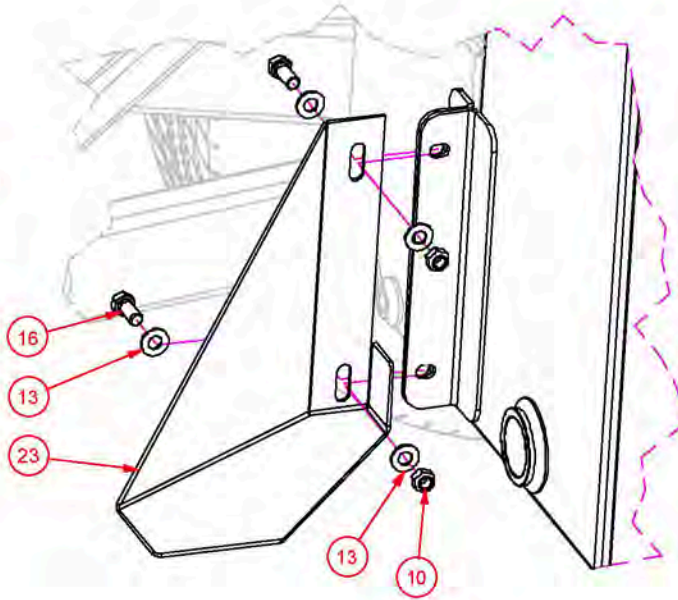
DETAIL BW

PART NO: 504220 TITLE: HYDRAULICS

ITEM	PART #	DESCRIPTION	QTY
19	504225	12WC-12FJX TO HYD. HOSE 3/4" - 21" TO 12WC-12FJX	1
20	504224	20WC-20FJX TO HYD. HOSE 1 1/4" - 29" TO 20WC-20FJX	1
21	404657	SUCTION WELDMENT	1
38	18-3500-0322	20MJ-20MP-90	2
43	18-3500-0286	20FPT	1
47	18-3500-0239	20MP-20FJX	2
52	18-3500-0135	20MJ-20MP	1
68	18-1000-0006	1-1/4INCH-BALL-VALVE	1

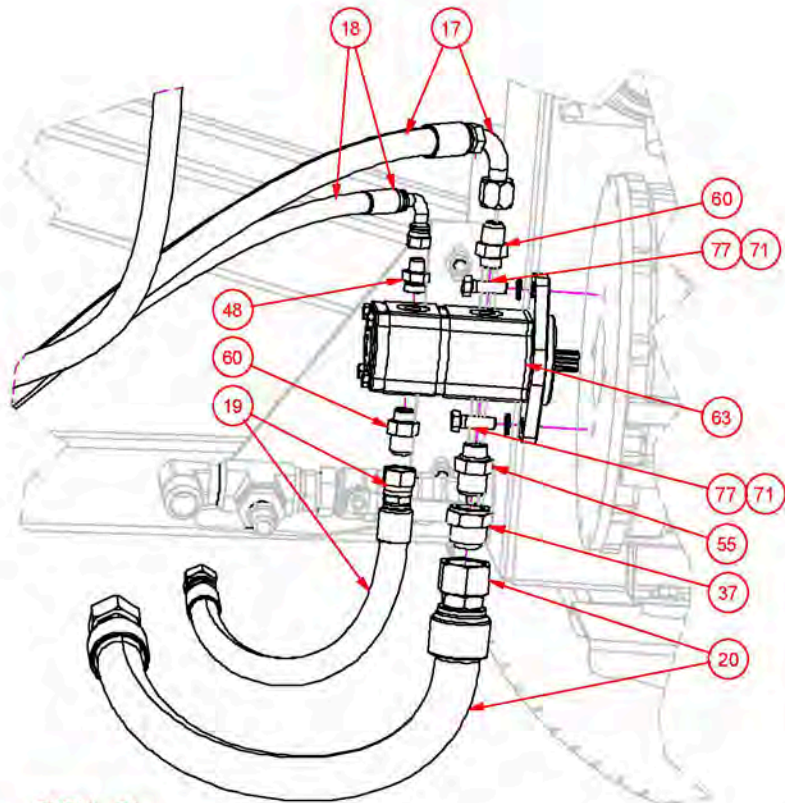
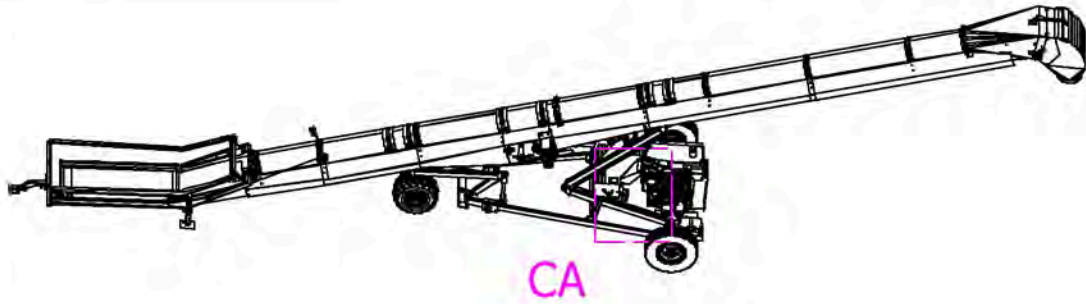


DETAIL BY



PART NO: 504132 TITLE: STANDARD AXLE ASSEMBLY

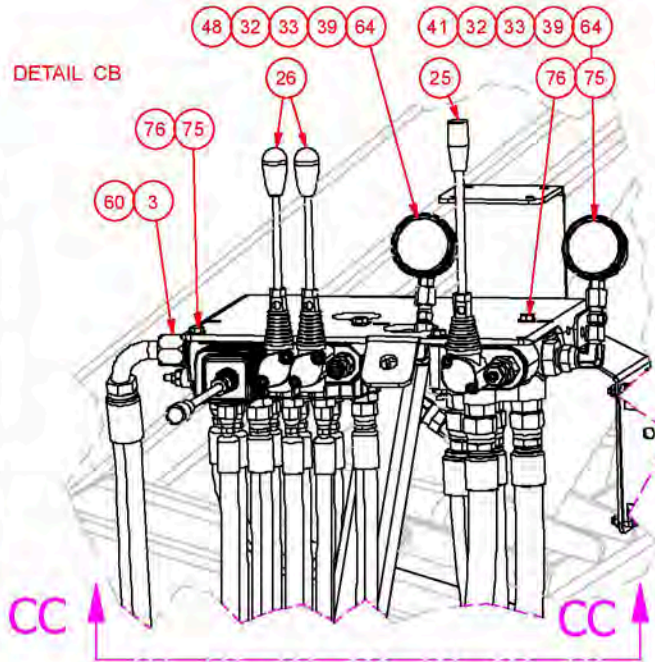
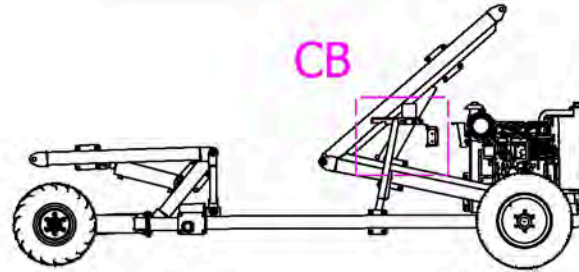
ITEM	PART #	DESCRIPTION	QTY
10	16-2407-0003	CONE LOCK NUT - 1/2"-13 UNC - ZINC PLTD	4
13	16-1307-0006	S.A.E. FLAT WASHER - 1/2" - ZINC PLTD	8
16	16-0207-0246	HEX BOLT - 1/2" X 1 1/4" UNC - ZINC PLTD - GRD 5	4
23	118797	HYDRAULIC SUCTION LINE SUPPORT	1



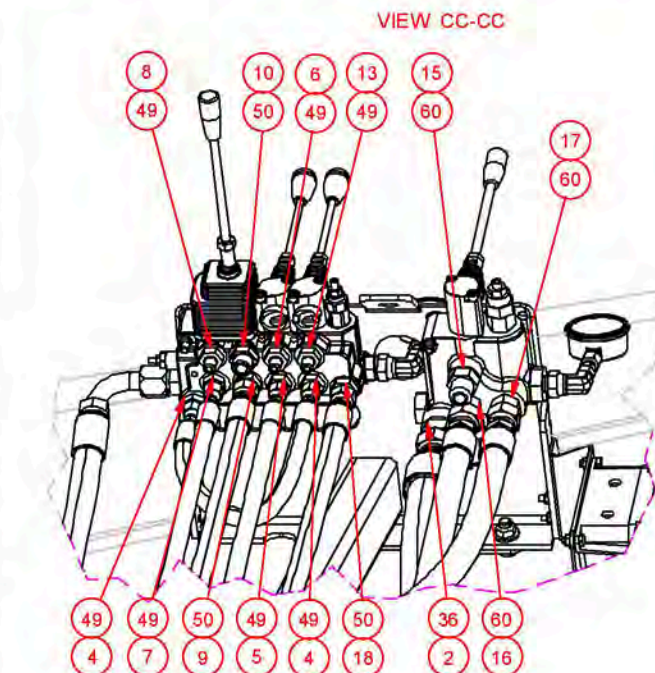
DETAIL CA

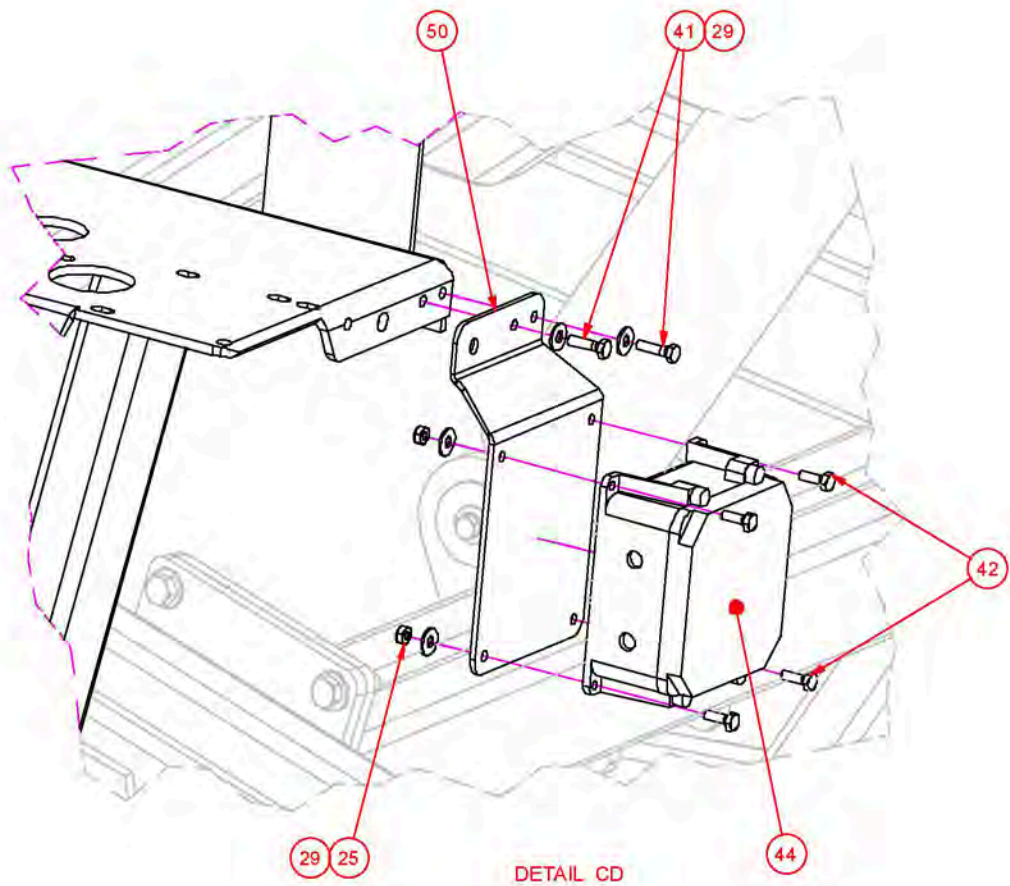
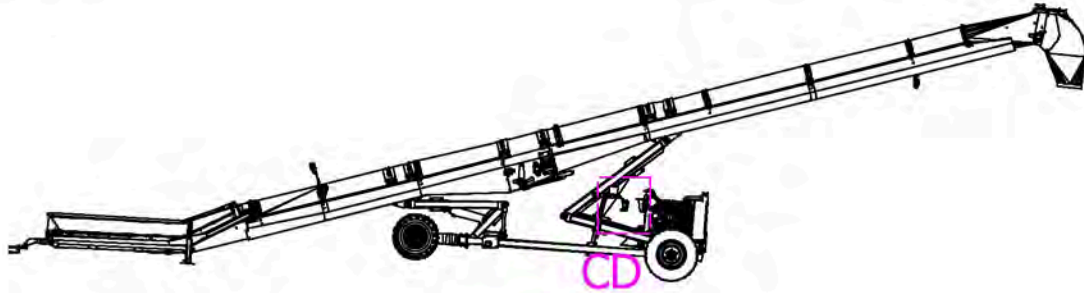
PART NO: 504220 TITLE: HYDRAULICS

ITEM	PART #	DESCRIPTION	QTY
17	504227	12WC-12FJX 90° TO HYD. HOSE 3/4" - 63" TO 12WC-12FJX	1
18	504226	8WC-8FJX 90° TO HYD. HOSE 1/2" - 57" TO 8WC-8FJX	1
19	504225	12WC-12FJX TO HYD. HOSE 3/4" - 21" TO 12WC-12FJX	1
20	504224	20WC-20FJX TO HYD. HOSE 1 1/4" - 29" TO 20WC-20FJX	1
37	18-3500-0327	20MJ-16FJ	1
48	18-3500-0219	10MB - 8MJ	2
55	18-3500-0099	12MB-16MJ	1
60	18-3500-0012	10MB-12MJ	6
63	18-3000-0076	CASAPPA PUMP (WITH SPLINE SHAFT)	1
71	16-2408-0008	SPRING LOCK WASHER - 1/2" - ZINC PLTD	2
77	16-0207-0248	HEX BOLT - 1/2" X 1 1/2" UNC - ZINC PLTD - GRD 5	2



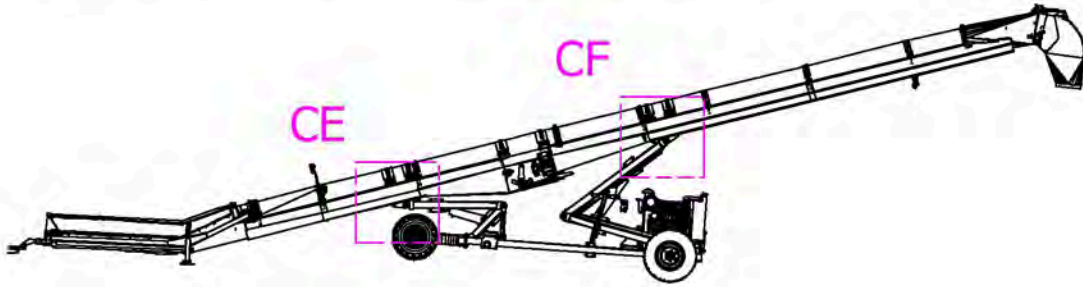
PART NO: 504220 TITLE: HYDRAULICS			
ITEM	PART #	DESCRIPTION	QTY
2	504248	16WC-16FJX TO HYD. HOSE 1" - 70" TO 16WC-16FJX	1
3	504247	12WC-12FJX 90° TO HYD. HOSE 3/4" - 78" TO 12WC-12FJX	1
4	504246	6WC-6FJX TO HYD. HOSE 3/8" - 14" TO 6WC-6FJX	1
5	504245	6WC-6FJX TO HYD. HOSE 3/8" - 48" TO 6WC-6FJX 90°	1
6	504242	6WC-6FJX TO HYD. HOSE 3/8" - 43" TO 6WC-8FJX	1
7	504241	6WC-6FJX TO HYD. HOSE 3/8" - 186" TO 6WC-6FJX	1
8	504240	6WC-6FJX TO HYD. HOSE 3/8" - 186" TO 6WC-6FJX	1
9	504235	8WC-8FJX TO HYD. HOSE 1/2" - 196.5" TO 8WC-8FJX	1
10	504234	8WC-8FJX TO HYD. HOSE 1/2" - 196.5" TO 8WC-8FJX	1
13	504231	6WC-6MP TO HYD. HOSE 3/8" - 90" TO 6WC-6FJX	1
15	504229	12WC-12FJX 90° TO HYD. HOSE 3/4" - 257" TO 12WC-12FJX	1
16	504228	12WC-12FJX 90° TO HYD. HOSE 3/4" - 264" TO 12WC-12FJX	1
17	504227	12WC-12FJX 90° TO HYD. HOSE 3/4" - 63" TO 12WC-12FJX	1
18	504226	8WC-8FJX 90° TO HYD. HOSE 1/2" - 57" TO 8WC-8FJX	1
25	18-4500-0100	HYD VALVE - 1-BANK - BM70/SD11 - 1 MOTOR SPOOL(DETENT WITH UPSIDE DOWN LEVER)	1
26	18-4500-0099	SD5/4 VALVE	1
32	18-3500-0373	8FJX-6MJ-90	2
33	18-3500-0362	6FJ-4MJ	2
36	18-3500-0336	10MB-16MJ	1
39	18-3500-0320	4FJX-4FP	2
41	18-3500-0304	12MB-8MJ	3
48	18-3500-0219	10MB - 8MJ	2
49	18-3500-0197	8MB - 6MJ	9
50	18-3500-0178	*VARIES*	4
60	18-3500-0012	10MB-12MJ	6
64	18-3000-0054	PRESSURE GAUGE - 5000 PSI	2
75	16-1307-0003	S.A.E. FLAT WASHER - 5/16" - ZINC PLTD	14
76	16-0207-0511	HEX BOLT - 5/16" X 2 3/4" UNC - ZINC PLTD - GRD 5	4



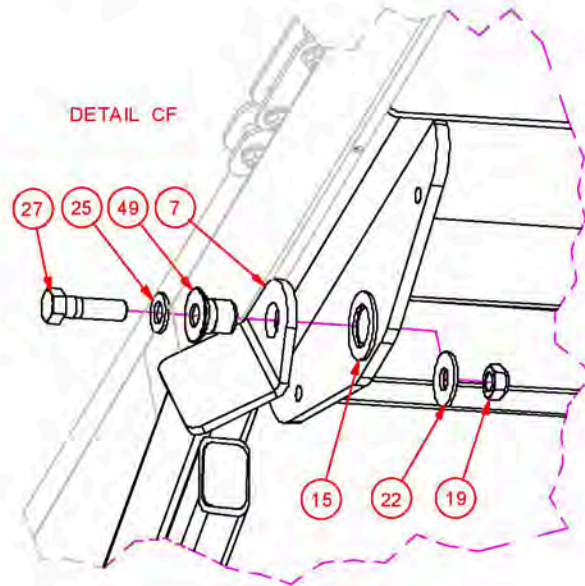


PART NO: 503641 TITLE: 2245-TL UNDERCARRIAGE

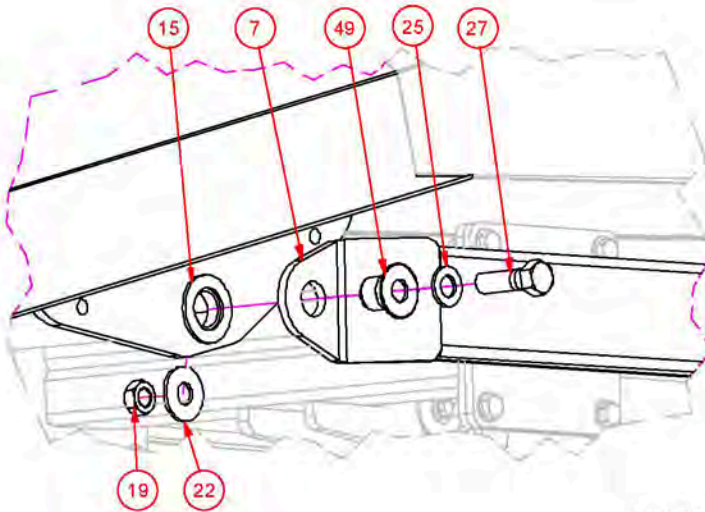
ITEM	PART #	DESCRIPTION	QTY
25	16-2407-0001	CONE LOCK NUT - 1/4"-20 UNC - ZINC PLTD	6
29	16-1707-0002	U.S.S. FLAT WASHER - 1/4" - ZINC PLTD	8
41	16-0207-0006	HEX BOLT - 1/4" X 1" UNC - ZINC PLTD - GRD 5	2
42	16-0207-0004	HEX BOLT - 1/4" X 3/4" UNC - ZINC PLTD - GRD 5	4
44	14-1800-0002	JUNCTION BOX - 5" X 5" X 2" - PVC	1
50	116297	JUNCTION BOX MOUNT PLATE	1



DETAIL CF



DETAIL CE

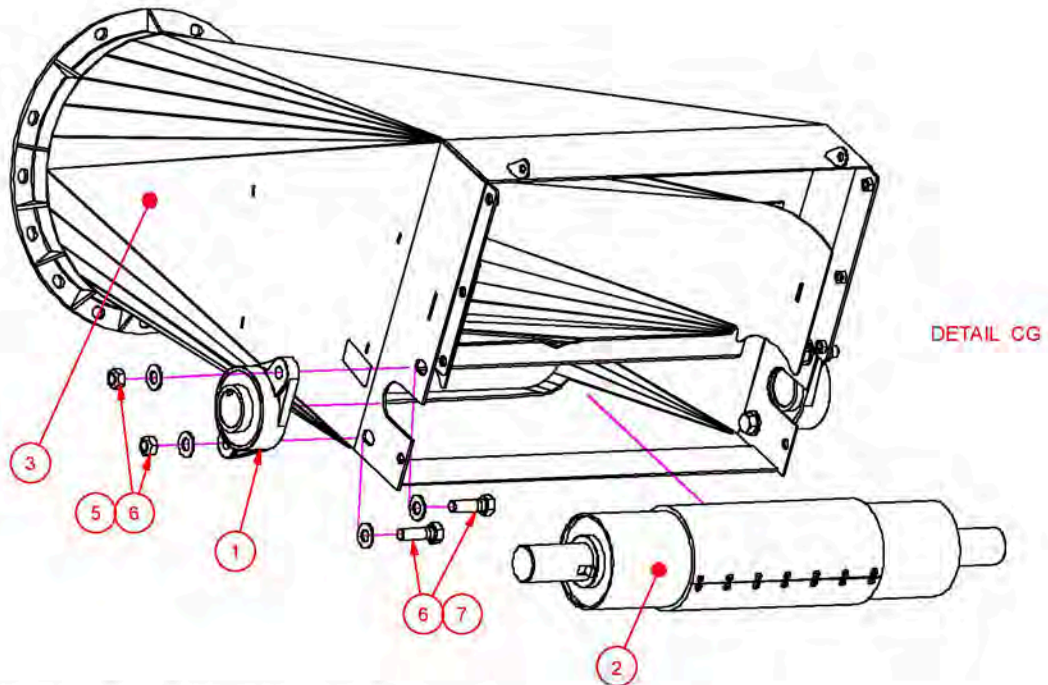
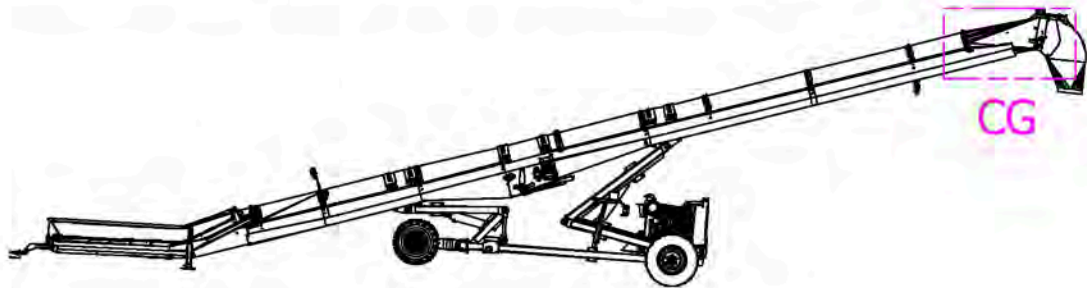


PART NO: 2245-TL TITLE: 22" BELT CONVEYOR 45' TRUCK LOADER

ITEM	PART #	DESCRIPTION	QTY
7	503641	2245-TL UNDERCARRIAGE	1
15	405123	UNDERCARRIAGE MOUNT	2
19	1624120002	CONE LOCK NUT - 3/4"-10 UNC - ZINC PLTD	4
22	1617070009	U.S.S. FLAT WASHER - 3/4" - ZINC PLTD	4
25	1613070009	S.A.E. FLAT WASHER - 3/4" - ZINC PLTD	4
27	1602070430	HEX BOLT - 3/4"-10 X 2 1/2" UNC - ZINC PLTD - GRADE 5	4

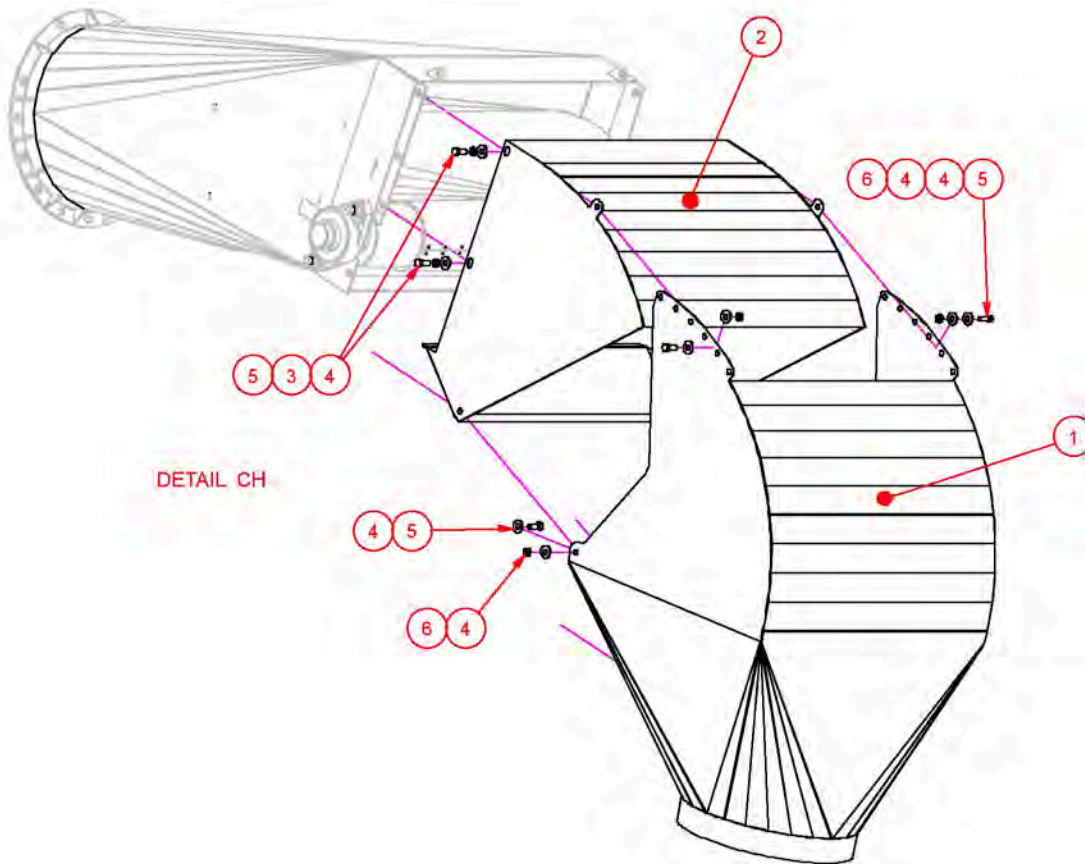
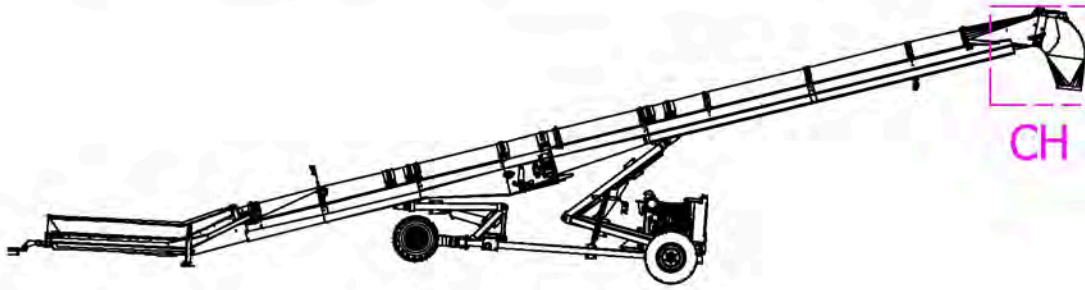
Section 4: DISCHARGE

This section contains the drawings and parts lists for the discharge end components.



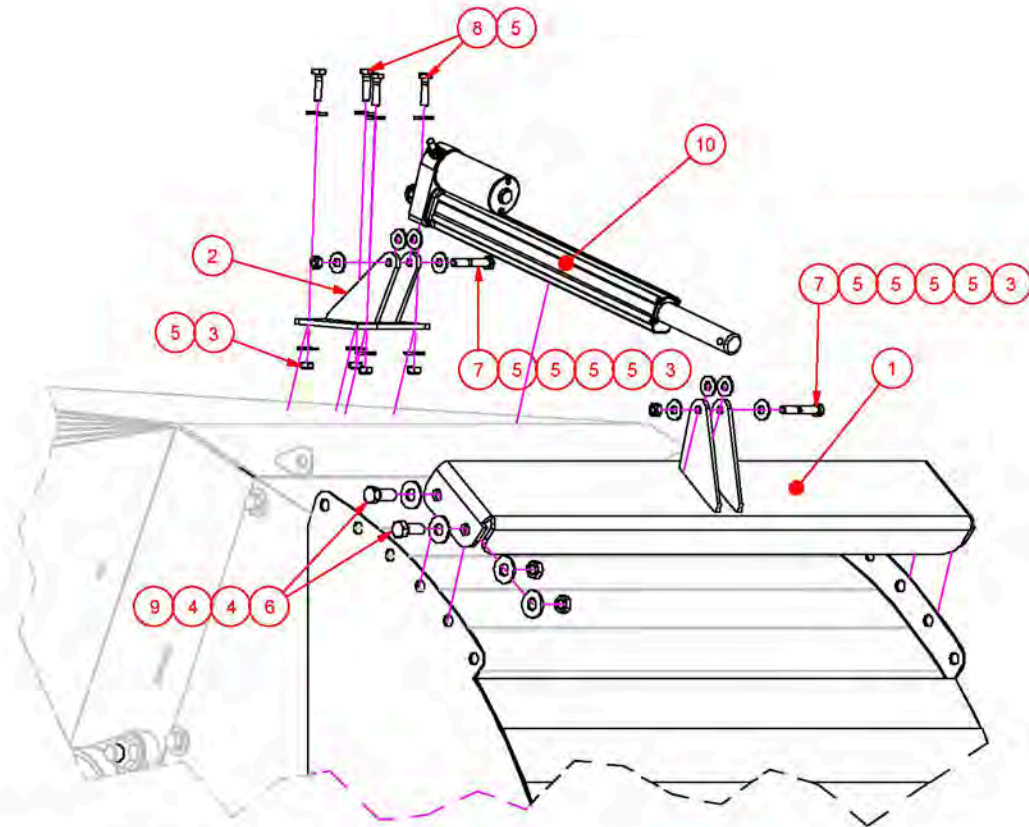
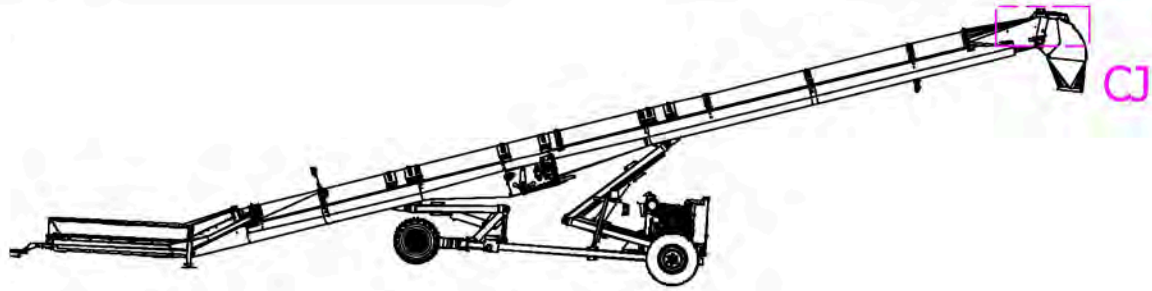
PART NO: 503804 TITLE: DISCHARGE HOUSING

ITEM	PART #	DESCRIPTION	QTY
1	B-0000-0030	BEARING - FL210 - 1 15/16" SHAFT - COMPLETE	2
2	502013	ROLLER - TYPE 5 X 22 X 1-15/16 X 30	1
3	401530	DISCHARGE BODY	1
5	16-2407-0006	CONE LOCK NUT - 5/8"-11 UNC - ZINC PLTD	4
6	16-1307-0008	S.A.E. FLAT WASHER - 5/8" - ZINC PLTD	8
7	16-0207-0368	HEX BOLT - 5/8" X 2" UNC - ZINC PLTD - GRD 5	4



PART NO: 503805 TITLE: SWIVEL DISCHARGE HOOD & SPOUT

ITEM	PART #	DESCRIPTION	QTY
1	405216	SWIVEL DISCHARGE SPOUT (LONG)	1
2	405215	SWIVEL DISCHARGE HOOD (LONG)	1
3	16-2408-0007	SPRING LOCK WASHER - 3/8" - ZINC PLTD	4
4	16-1707-0004	U.S.S. FLAT WASHER - 3/8" - ZINC PLTD	12
5	16-0207-0124	HEX BOLT - 3/8" X 1" UNC - ZINC PLTD - GRD 5	8
6	15-1800-0004	CONE LOCK NUT - 3/8"-16 UNC - ZINC PLTD	4



DETAIL CJ

PART NO: 503801 TITLE: ELECTRIC SWIVEL DISCHARGE HOOD & SPOUT

ITEM	PART #	DESCRIPTION	QTY
1	405219	DISCHARGE HOOD ACTUATOR MOUNT BASE	1
2	403973	DISCHARGE ACTUATOR MOUNT BASE	1
3	16-2407-0001	CONE LOCK NUT - 1/4"-20 UNC - ZINC PLTD	6
4	16-1707-0004	U.S.S. FLAT WASHER - 3/8" - ZINC PLTD	8
5	16-1707-0002	U.S.S. FLAT WASHER - 1/4" - ZINC PLTD	16
6	16-0207-0124	HEX BOLT - 3/8" X 1" UNC - ZINC PLTD - GRD 5	4
7	16-0207-0011	HEX BOLT - 1/4" X 1 3/4" UNC - ZINC PLTD - GRD 5	2
8	16-0207-0006	HEX BOLT - 1/4" X 1" UNC - ZINC PLTD - GRD 5	4
9	15-1800-0004	CONE LOCK NUT - 3/8"-16 UNC - ZINC PLTD	4
10	14-1700-0002	LINEAR ACTUATOR - 10" STROKE - PA-14-10-50	1

This page intentionally left blank

Section 5: REFERENCE

This section contains complete parts lists for each component of the conveyor. They are listed in the order in which they appear in this manual.

PART NO: 501293 TITLE: DRAW BAR ASSEMBLY

ITEM	PART #	DESCRIPTION	QTY
1	401218	HITCH INSERT	1
2	1602070252	HEX BOLT - 1/2" X 2 1/2" UNC - ZINC PLTD - GRD 5	1
3	16-2407-0003	CONE LOCK NUT - 1/2"-13 UNC - ZINC PLTD	1
4	16-1307-0006	S.A.E. FLAT WASHER - 1/2" - ZINC PLTD	2
5	104278	HITCH TONGUE J-BAR	1

PART NO: 504254 TITLE: HOPPER FRAME HITCH - OPEN TRANSITION

ITEM	PART #	DESCRIPTION	QTY
1	405599	HOPPER HITCH FRAME - RIGHT	1
2	405598	HOPPER HITCH FRAME - LEFT	1
3	405597	FL HOPPER HITCH	1
4	1602070248	HEX BOLT - 1/2" X 1 1/2" UNC - ZINC PLTD - GRD 5	12
5	16-2408-0008	SPRING LOCK WASHER - 1/2" - ZINC PLTD	4
6	16-2407-0003	CONE LOCK NUT - 1/2"-13 UNC - ZINC PLTD	8
7	16-1307-0006	S.A.E. FLAT WASHER - 1/2" - ZINC PLTD	20

PART NO: 2245-TL TITLE: 22" BELT CONVEYOR 45' TRUCK LOADER

ITEM	PART #	DESCRIPTION	QTY
1	504254	HOPPER FRAME HITCH - OPEN TRANSITION	1
2	504221	OPEN TRANSITION HOPPER	1
3	503805	SWIVEL DISCHARGE HOOD & SPOUT	1
4	503804	DISCHARGE	1
5	503801	ELECTRIC SWIVEL DISCHARGE HOOD & SPOUT	1
6	503731	HYDRAULIC DRIVE - 4000 SERIES - 109-1103	1
7	503641	2245-TL UNDERCARRIAGE	1
8	503023	PTO - POSITIVE DRIVE BOX W/FIXED DRIVE ROLLER	1
9	501293	DRAW BAR ASSEMBLY - HEAVY DUTY	1
10	501113	RETURN ROLLER FL - 1-7/8 X 23-11/16 X 7/16	2
11	500021	RETURN ROLLER - 7/16 X 23-11/16 X 25-3/8	4
12	405749	LIGHT/WINCH MOUNT BRACKET	1
13	405692	WIND GUARD MOUNT BRACKET	1
14	405126	RETURN ROLLER BRACKET	6
15	405123	UNDERCARRIAGE MOUNT	2
16	400035	TUBE - 12GA X 14D X 180L	1
17	400034	TUBE - 12GA X 14D X 240L	1
18	24-2200-0002	SELF TAPPING SCREW - 1/4" X 3/4" - ZINC PLTD	44
19	1624120002	CONE LOCK NUT - 3/4"-10 UNC - ZINC PLTD	4
20	1624070003	CONE LOCK NUT - 1/2"-13 UNC - ZINC PLTD	77
21	1624070001	CONE LOCK NUT - 1/4"-20 UNC - ZINC PLTD	9
22	1617070009	U.S.S. FLAT WASHER - 3/4" - ZINC PLTD	4
23	1617070004	U.S.S. FLAT WASHER - 3/8" - ZINC PLTD	3
24	1617070002	U.S.S. FLAT WASHER - 1/4" - ZINC PLTD	18
25	1613070009	S.A.E. FLAT WASHER - 3/4" - ZINC PLTD	4
26	1613070006	S.A.E. FLAT WASHER - 1/2" - ZINC PLTD	154
27	1602070430	HEX BOLT - 3/4"-10 X 2 1/2" UNC - ZINC PLTD - GRADE 5	4
28	1602070250	HEX BOLT - 1/2"-13 X 2" UNC - ZINC PLTD - GRADE 5	38
29	1602070248	HEX BOLT - 1/2"-13 X 1 1/2" UNC - ZINC PLTD - GRADE 5	39
30	1602070011	HEX BOLT - 1/4"-20 X 1 3/4" UNC - ZINC PLTD - GRADE 5	6
31	1602070006	HEX BOLT - 1/4"-20 X 1" UNC - ZINC PLTD - GRADE 5	1
32	16-1100-0005	PIN - HAIR - #10 - 1/8	1
33	16-1100-0002	PIN - BEND ARM - 5/8" X 3"	1
34	16-0307-0124	CARRIAGE BOLT - 3/8" X 1" UNC - PLTD - GRD 5	3
35	1518000004	CONE LOCK NUT - 3/8"-16 UNC - ZINC PLTD	3
36	14-1900-0072	UTILITY WORK LIGHT - ROUND 4" - LED - 9-36VDC	2
37	12-1900-0004	LIGHT DUTY WINCH	1
38	12-1400-0008	JACK - 7000 LBS SIDE HAND CRANK DIRECT WELD	1

continued on next page

PART NO: 2245-TL TITLE: 22" BELT CONVEYOR 45' TRUCK LOADER cont'd

ITEM	PART #	DESCRIPTION	QTY
39	12-1100-0020	CABLE SLEEVE - SWAGED - 1/8"	1
40	12-1100-0014	CABLE GALVANIZED 1/8" X 15'	1
41	119268	OPEN TRANSITION HOPPER WIND GUARD - RIGHT	1
42	119266	OPEN TRANSITION HOPPER WIND GUARD - LEFT	1
43	117472	LIGHT MOUNT	1
44	117113	WINDGUARD - TYPE 101 1/4	2
45	116564	HOPPER TO DRIVE BOX WINDGUARD - LEFT	1
46	116563	HOPPER TO DRIVE BOX WINDGUARD - RIGHT	1
47	116556	DRIVE BOX TO DISCHARGE WINDGUARD - RIGHT	1
48	116554	DRIVE BOX TO DISCHARGE WINDGUARD - LEFT	1
49	116513	SCISSOR BUSHING	4
50	116291	CABLE GUIDE BACK PLATE	4
51	116211	CABLE GUIDE	4
52	112302	DISCHARGE WINDGUARD - TYPE 120 - RIGHT	1
53	112298	DISCHARGE WINDGUARD - TYPE 120 - LEFT	1
54	111252	WINDGUARD - TYPE 60	2
55	101081	TUBE CLAMP - TYPE 3	6
56	101080	TUBE CLAMP - TYPE 6	6
57	10-0305-0011	CRESCENT RUBBER BELTING 22" 2 PLY X BARE MOR (104'-2')	1
58	-	HEX BOLT - 1/4"-20 X 2 1/4" UNC - ZINC PLTD - GRADE 5	2

PART NO: 504221 TITLE: OPEN TRANSITION HOPPER

ITEM	PART #	DESCRIPTION	QTY
1	B-0000-0010	STANDARD BEARING - FL206 - 1 1/4" SHAFT - COMPLETE	8
2	504222	ROLLER - TYPE 4 1/2 X 22 - 1 1/4 X 27 1/2	1
3	405579	HOPPER HOOP	1
4	405576	OPEN TRANSITION HOPPER	1
5	24-2200-0002	SELF TAPPING SCREW - 1/4" X 3/4" - ZINC PLTD	8
6	1624070003	CONE LOCK NUT - 1/2"-13 UNC - ZINC PLTD	16
7	1624070001	CONE LOCK NUT - 1/4"-20 UNC - ZINC PLTD	25
8	1617070002	U.S.S. FLAT WASHER - 1/4" - ZINC PLTD	25
9	1613070011	S.A.E. FLAT WASHER - 1" - ZINC PLTD	2
10	1613070006	S.A.E. FLAT WASHER - 1/2" - ZINC PLTD	16
11	1602070251	HEX BOLT - 1/2"-13 X 2" UNC - ZINC PLTD - GRADE 5 - FULL THREAD	4
12	1602070035	HEX BOLT - 5/8"-11 X 6" UNC - ZINC PLTD - GRADE 5 - FULL THREAD	2
13	16-3310-0002	ELEVATOR BOLT - 1/4-20 UNC - 1 1/4" - ZINC PLTD	25
14	16-1100-0003	COTTER PIN - 3/16" X 2"	2
15	16-0907-0007	HEX NUT - 5/8"-11 UNC - ZINC PLTD - GRADE 5	2
16	16-0307-0375	CARRIAGE BOLT - 1/2" X 2" UNC - PLTD - GRD 5	8
17	16-0307-0248	CARRIAGE BOLT - 1/2" X 1 1/2" UNC - PLTD - GRD 5	8
18	12-2800-0010	COLLAPSIBLE HOPPER SPRING - RIGHT	1
19	12-2800-0009	COLLAPSIBLE HOPPER SPRING - LEFT	1
20	12-2400-0019	OPEN TRANSITION HOPPER CANVAS	1
21	118831	HOPPER CANVAS PROTECTOR - 16-1/8"	2
22	118733	HOPPER CANVAS PROTECTOR - 22-1/8"	2
23	118732	HOPPER CANVAS PROTECTOR - 74"	2
24	118711	FLASHING HOLD DOWN - RIGHT	1
25	118710	FLASHING HOLD DOWN - LEFT	1
26	118709	HOPPER TRANSITION FLASHING	2
27	118708	CANVAS INSERT - TRANSITION	2
28	118707	CANVAS INSERT - SIDE	2
29	118706	HOPPER SIDE FLASHING	2
30	118705	ROLLER - TYPE 2 3/8 X 22 3/4 - 1 1/4 X 27 1/2	3
31	118704	HOPPER TAIL FLASHING	1
32	118703	CANVAS INSERT - TAIL	1
33	118699	HOPPER HOOP MOUNT BAR	1
34	118389	TOP TRANSITION ROLLER GUIDE PLATE	2
35	118385	BOTTOM TRANSITION ROLLER GUIDE PLATE	2

PART NO: 503023 TITLE: PTO POSITIVE DRIVE BOX W/FIXED DRIVE ROLLER

ITEM	PART #	DESCRIPTION	QTY
1	B-0000-0030	BEARING - FL210 - 1 15/16" SHAFT - COMPLETE	4
2	B-0000-0010	BEARING - FL206 - 1 1/4" SHAFT - COMPLETE	4
3	501146	ROLLER - TYPE 5 X 22 X 1 1/4	2
4	403080	POSITIVE DRIVE BOX W/FIXED DRIVE ROLLER	1
5	402351	TAKE UP ROLLER ARM	2
6	401348	DRIVE ROLLER RETAINER PIN	1
7	400215	TENSIONER INSERT TUBE	2
8	400214	TENSIONER BODY	2
9	16-1707-0008	USS FLAT WASHER - 5/8" PLTD	8
10	16-1707-0004	USS FLAT WASHER - 3/8" PLTD	8
11	16-1307-0008	SAE FLAT WASHER - 5/8" PLTD	12
12	16-1307-0006	SAE FLAT WASHER - 1/2" PLTD	16
13	16-0707-0007	NYLON INSERT LOCK NUT - 5/8" UNC - PLTD - GRD 5	8
14	16-0707-0005	NYLON INSERT LOCK NUT - 1/2" UNC - PLTD - GRD 5	10
15	16-0707-0003	NYLON INSERT LOCK NUT - 3/8" UNC - PLTD - GRD 5	12
16	16-0707-0001	NYLON INSERT LOCK NUT - 1/4" UNC - PLTD - GRD 5	1
17	16-0207-0370	HEX BOLT - 5/8" X 2 1/2" UNC - PLTD - GRD 5	4
18	16-0207-0369	HEX BOLT - 5/8" X 2 1/4" UNC - PLTD - GRD 5	4
19	16-0207-0252	HEX BOLT - 1/2" X 2 1/2" UNC - PLTD - GRD 5	2
20	16-0207-0250	HEX BOLT - 1/2" X 2" UNC - PLTD - GRD 5	8
21	16-0207-0126	HEX BOLT - 3/8" X 1 1/4" UNC - PLTD - GRD 5	12
22	16-0207-0008	HEX BOLT - 1/4" X 1 1/4" UNC - PLTD - GRD 5	1
23	12-2800-0015	TENSION SPRING	2
24	12-2100-0018	ROLLER - TYPE 6 X 22 X 1.938	1
25	12-2100-0008	PTO DRIVE ROLLER - TYPE 6 X 22 X 1 15/16	1
26	106308	DRIVE BOX SLOT COVER PLATE	1
27	101857	DRIVE ROLLER STIFFENER	1
28	101856	PINCH ROLLER BUSHING	4

PART NO: 503731 TITLE: HYDRAULIC DRIVE - 4000 SERIES - 109-1103

ITEM	PART #	DESCRIPTION	QTY
1	405194	#80 SPROCKET - 14 TOOTH - 1 1/2 BORE X HUB	1
2	405193	4000 SERIES HYDRAULIC MOTOR MOUNT BRACKET	1
3	402227	#80 SPROCKET - 14 TOOTH - 1 1/4 BORE HUB	1
4	19-3000-0028	HYDRAULIC MOTOR - 4000 SERIES - 109-1103	1
5	16-2408-0009	SPRING LOCK WASHER - 1/4" - ZINC PLTD	8
6	16-2407-0003	CONE LOCK NUT - 1/2"-13 UNC - ZINC PLTD	12
7	16-1707-0002	U.S.S. FLAT WASHER - 1/4" - ZINC PLTD	8
8	16-1307-0006	S.A.E. FLAT WASHER - 1/2" - ZINC PLTD	12
9	16-0307-0248	CARRIAGE BOLT - 1/2" X 1 1/2" UNC - PLTD - GRD 5	4
10	16-0207-0249	HEX BOLT - 1/2" X 1 3/4" UNC - ZINC PLTD - GRD 5	4
11	16-0207-0248	HEX BOLT - 1/2" X 1 1/2" UNC - ZINC PLTD - GRD 5	4
12	16-0207-0004	HEX BOLT - 1/4" X 3/4" UNC - ZINC PLTD - GRD 5	8
13	117111	4000 SERIES HYDRAULIC MOTOR PLATE	1
14	116909	HYD. MOTOR COUPLER GUARD - POS. DRIVE	2
15	116907	STEP KEY STOCK - 5/16" X 1/4" X 2"	1
16	11-2300-0035	SQ KEY STOCK - 3/8" X 3/8" X 2"	1
17	11-1100-0012	ROLLER CHAIN DOUBLE - #80-2	1

PART NO: 503641 TITLE: 2245-TL UNDERCARRIAGE

ITEM	PART #	DESCRIPTION	QTY
1	504133	TORSION AXLE ASSEMBLY	1
2	504132	STANDARD AXLE ASSEMBLY	1
3	503769	MOVER KIT STEERING FRAME ASSEMBLY	1
4	405488	REAR UPPER SCISSOR ARM - RIGHT	1
5	405487	REAR LOWER SCISSOR ARM - RIGHT	1
6	405127	STABALIZER ARM BRACE	1
7	405122	FRONT SCISSOR ARM STOP	2
8	405121	PASSENGER SIDE STABALIZER ARM	1
9	405120	FRONT UPPER SCISSOR ARM BRACE	1
10	405119	FRONT LOWER SCISSOR ARM BRACE	1
11	405118	REAR BOTTOM SCISSOR ARM BRACE	1
12	405117	REAR UPPER SCISSOR ARM BRACE	1
13	405097	FRONT UPPER SCISSOR ARM	2
14	405096	FRONT LOWER SCISSOR ARM	2
15	405080	DRIVER SIDE STABALIZER ARM	1
16	405078	REAR LOWER SCISSOR ARM - LEFT	1
17	405056	REAR UPPER SCISSOR ARM - LEFT	1
18	401561	JACK STORAGE BRACKET	1
19	18-2500-0104	CYLINDER - HYDRAULIC - 4" BORE X 14" STROKE	1
20	18-2500-0051	CYLINDER - HYDRAULIC - 4" BORE X 24" STROKE	1
21	16-2412-0002	CONE LOCK NUT - 3/4"-10 UNC - ZINC PLTD	10
22	16-2408-0007	SPRING LOCK WASHER - 3/8" - ZINC PLTD	8

continued on next page

PART NO: 503641 TITLE: 2245-TL UNDERCARRIAGE cont'd

ITEM	PART #	DESCRIPTION	QTY
23	16-2407-0006	CONE LOCK NUT - 5/8"-11 UNC - ZINC PLTD	16
24	16-2407-0003	CONE LOCK NUT - 1/2"-13 UNC - ZINC PLTD	42
25	16-2407-0001	CONE LOCK NUT - 1/4"-20 UNC - ZINC PLTD	6
26	16-1707-0018	U.S.S. FLAT WASHER - 1 1/4" - ZINC PLTD	10
27	16-1707-0009	U.S.S. FLAT WASHER - 3/4" - ZINC PLTD	14
28	16-1707-0004	U.S.S. FLAT WASHER - 3/8" - ZINC PLTD	16
29	16-1707-0002	U.S.S. FLAT WASHER - 1/4" - ZINC PLTD	8
30	16-1307-0009	S.A.E. FLAT WASHER - 3/4" - ZINC PLTD	6
31	16-1307-0008	S.A.E. FLAT WASHER - 5/8" - ZINC PLTD	32
32	16-1307-0006	S.A.E. FLAT WASHER - 1/2" - ZINC PLTD	84
33	16-0207-0430	HEX BOLT - 3/4" X 2 1/2" UNC - ZINC PLTD - GRD 5	4
34	16-0207-0367	HEX BOLT - 5/8" X 1 3/4" UNC - ZINC PLTD - GRD 5	16
35	16-0207-0249	HEX BOLT - 1/2" X 1 3/4" UNC - ZINC PLTD - GRD 5	32
36	16-0207-0248	HEX BOLT - 1/2" X 1 1/2" UNC - ZINC PLTD - GRD 5	8
37	16-0207-0246	HEX BOLT - 1/2" X 1 1/4" UNC - ZINC PLTD - GRD 5	2
38	16-0207-0126	HEX BOLT - 3/8" X 1 1/4" UNC - ZINC PLTD - GRD 5	4
39	16-0207-0124	HEX BOLT - 3/8" X 1" UNC - ZINC PLTD - GRD 5	8
40	16-0207-0021	HEX BOLT - 3/4" X 3" UNC - ZINC PLTD - GRD 5	6
41	16-0207-0006	HEX BOLT - 1/4" X 1" UNC - ZINC PLTD - GRD 5	2
42	16-0207-0004	HEX BOLT - 1/4" X 3/4" UNC - ZINC PLTD - GRD 5	4
43	15-1800-0004	CONE LOCK NUT - 3/8"-16 UNC - ZINC PLTD	4
44	14-1800-0002	JUNCTION BOX - 5" X 5" X 2" - PVC	1
45	117470	CAT ENGINE CONTROL BOX MOUNT PLATE	1
46	117108	PIN RETAINING PLATE	8
47	117107	CYLINDER MOUNT BASE PIN - 1 1/2" X 6 1/8"	2
48	116523	PIN - 1 1/2 X 3 7/8	2
49	116516	SCISSOR BUSHING	4
50	116297	JUNCTION BOX MOUNT PLATE	1

PART NO: 503769 TITLE: MOVER KIT STEERING FRAME ASSEMBLY

ITEM	PART #	DESCRIPTION	QTY
1	405233	FRAME TO CYLINDER PIVOT BRACKET	2
2	405232	MOVER WHEEL MOUNT HUB	1
3	405227	WHEEL/MOTOR MOUNT BRACKET	1
4	405207	MOVER KIT FRAME SUB ASSEMBLY	1
5	30-1500-0004	TIRE - COMPLETE - 26 X 12.00 X 12 NHS - 6 BOLT	1
6	21-1700-0001	IGLIDE PLAIN BEARING FLANGE - 1 X 1/2	4
7	19-3000-0052	HYD. WHEEL MOTOR - VIS 40 SERIES 30.7 CU. IN. - 180-0055	1
8	18-2500-0103	CYLINDER - HYDRAULIC - 2 1/2" BORE X 12" STROKE	1
9	1624070003	CONE LOCK NUT - 1/2"-13 UNC - ZINC PLTD	4
10	1617070004	U.S.S. FLAT WASHER - 3/8" - ZINC PLTD	6
11	1613070006	S.A.E. FLAT WASHER - 1/2" - ZINC PLTD	4
12	1602070252	HEX BOLT - 1/2"-13 X 2 1/2" UNC - ZINC PLTD - GRADE 5	4
13	1602070134	HEX BOLT - 3/8"-16 X 3" UNC - ZINC PLTD - GRADE 5	1
14	1602070124	HEX BOLT - 3/8"-16 X 1" UNC - ZINC PLTD - GRADE 5	6
15	16-2408-0007	SPRING LOCK WASHER - 3/8" - ZINC PLTD	6
16	1518000004	CONE LOCK NUT - 3/8"-16 UNC - ZINC PLTD	1
17	12-2301-0003	WHEEL BOLT 9/16"-18 UNF X 1 1/2"	6
18	12-1001-0009	GREASE ZERK - 1/8" NPT SAE - STRAIGHT	1
19	117115	CYLINDER BASE PIVOT PIN	1
20	117103	PIN RETAINING PLATE	6
21	117102	FRAME TO CYLINDER PIVOT SPACER BUSHING	2
22	117101	FRAME TO CYLINDER PIVOT PIN	1
23	117085	WHEEL/MOTOR MOUNT PIVOT PIN	1

PART NO: 504132 TITLE: STANDARD AXLE ASSEMBLY

ITEM	PART #	DESCRIPTION	QTY
1	503662	FUEL TANK - 25 GALLON	1
2	503661	HYDRAULIC TANK	1
3	503642	REAR MAIN AXLE	1
4	33-0000-0010	BATTERY - DEEP CYCLE 500CCA EPB 24DCM	1
5	19-5000-0120	DIESEL ENGINE - 50 HP - CAT	1
6	19-5000-0080	DEISEL ENGINE - MOTOR MOUNT - 83-130HP	4
7	18-9001-0003	HYD. TANK MOUNTING KIT - UR50MK	4
8	16-2408-0010	SPRING LOCK WASHER - 7/16" - ZINC PLTD	4
9	16-2408-0009	SPRING LOCK WASHER - 1/4" - ZINC PLTD	4
10	16-2407-0003	CONE LOCK NUT - 1/2"-13 UNC - ZINC PLTD	4
11	16-1707-0004	U.S.S. FLAT WASHER - 3/8" - ZINC PLTD	16
12	16-1707-0002	U.S.S. FLAT WASHER - 1/4" - ZINC PLTD	4
13	16-1307-0006	S.A.E. FLAT WASHER - 1/2" - ZINC PLTD	8
14	16-1307-0005	S.A.E. FLAT WASHER - 7/16" - ZINC PLTD	4
15	16-1200-0020	BLIND RIVET NUT - 1/4-20 UNC X 0.027 - 0.165 - STEEL	4
16	16-0207-0246	HEX BOLT - 1/2" X 1 1/4" UNC - ZINC PLTD - GRD 5	4
17	16-0207-0191	HEX BOLT - 7/16" X 1 1/2" UNC - ZINC PLTD - GRD 5	4
18	16-0207-0124	HEX BOLT - 3/8" X 1" UNC - ZINC PLTD - GRD 5	8
19	16-0207-0018	HEX BOLT - 1/4" X 3 1/2" UNC - ZINC PLTD - GRD 5	4
20	15-1800-0004	CONE LOCK NUT - 3/8"-16 UNC - ZINC PLTD	8
21	14-1100-0031	PLASTIC BATTERY BOX - SMALL	1
22	12-1801-0062	WHEEL - ST235/85R16 LRE - C/W 6 BOLT RIM AG	2
23	118797	HYDRAULIC SUCTION LINE SUPPORT	1

PART NO: 503642 TITLE: REAR MAIN AXLE

ITEM	PART #	DESCRIPTION	QTY
1	405079	REAR AXLE	1
2	12-2300-0005	DEXTER 6 BOLT AG WHEEL HUB - H614	2

PART NO: 503661 TITLE: HYDRAULIC TANK

ITEM	PART #	DESCRIPTION	QTY
1	405128	HYD TANK 50 GALLON	1
2	18-7500-0033	FILLER BREATHER ASSY	1
3	18-3000-0026	HYD - RESERVOIR - OIL LEVEL GAUGE	1
4	16-1707-0004	U.S.S. FLAT WASHER - 3/8" - ZINC PLTD	8
5	16-0207-0124	HEX BOLT - 3/8" X 1" UNC - ZINC PLTD - GRD 5	4
6	15-1800-0004	CONE LOCK NUT - 3/8"-16 UNC - ZINC PLTD	4
7	15-1600-0002	PLUG - SQUARE HEAD - 3/4 - BLACK	1
8	117444	OIL FILTER MOUNT BRACKET	1

PART NO: 503662 TITLE: FUEL TANK

ITEM	PART #	DESCRIPTION	QTY
1	405130	FUEL TANK 25 GALLON	1
2	19-9000-0003	FUEL CAP	1
3	15-1600-0002	PLUG - SQUARE HEAD - 3/4 - BLACK	1

PART NO: 504133 TITLE: TORSION AXLE ASSEMBLY

ITEM	PART #	DESCRIPTION	QTY
1	503662	FUEL TANK - 25 GALLON	1
2	503661	HYDRAULIC TANK	1
3	405485	REAR AXLE	1
4	402029R	STEEL FENDER - RIGHT	1
5	402029L	STEEL FENDER - LEFT	1
6	33-0000-0010	BATTERY - DEEP CYCLE 500CCA EPB 24DCM	1
7	30-2000-0003	8 BOLT AXLE - 7000 LBS	1
8	19-5000-0120	DIESEL ENGINE - 50 HP - CAT	1
9	19-5000-0080	DEISEL ENGINE - MOTOR MOUNT - 83-130HP	4
10	18-9001-0003	HYD. TANK MOUNTING KIT - UR50MK	4
11	16-2408-0010	SPRING LOCK WASHER - 7/16" - ZINC PLTD	4
12	16-2408-0009	SPRING LOCK WASHER - 1/4" - ZINC PLTD	4
13	16-2408-0005	SPRING LOCK WASHER - 5/8" - ZINC PLTD	2
14	16-2407-0006	CONE LOCK NUT - 5/8"-11 UNC - ZINC PLTD	6
15	16-2407-0003	CONE LOCK NUT - 1/2"-13 UNC - ZINC PLTD	4
16	16-2407-0001	CONE LOCK NUT - 1/4"-20 UNC - ZINC PLTD	4
17	16-1707-0004	U.S.S. FLAT WASHER - 3/8" - ZINC PLTD	36
18	16-1707-0002	U.S.S. FLAT WASHER - 1/4" - ZINC PLTD	10
19	16-1400-0010	TRUSS HEAD SCREW - SQUARE - 1/4-20 UNC X 3/4 - ZINC PLTD	2
20	16-1307-0008	S.A.E. FLAT WASHER - 5/8" - ZINC PLTD	14
21	16-1307-0006	S.A.E. FLAT WASHER - 1/2" - ZINC PLTD	8
22	16-1307-0005	S.A.E. FLAT WASHER - 7/16" - ZINC PLTD	4
23	16-1307-0004	S.A.E. FLAT WASHER - 3/8" - ZINC PLTD	2
24	16-1200-0020	BLIND RIVET NUT - 1/4-20 UNC X 0.027 - 0.165 - STEEL	4
25	16-0207-0366	HEX BOLT - 5/8" X 1 1/2" UNC - ZINC PLTD - GRD 5	8
26	16-0207-0246	HEX BOLT - 1/2" X 1 1/4" UNC - ZINC PLTD - GRD 5	4
27	16-0207-0191	HEX BOLT - 7/16" X 1 1/2" UNC - ZINC PLTD - GRD 5	4
28	16-0207-0124	HEX BOLT - 3/8" X 1" UNC - ZINC PLTD - GRD 5	18
29	16-0207-0018	HEX BOLT - 1/4" X 3 1/2" UNC - ZINC PLTD - GRD 5	4
30	16-0207-0004	HEX BOLT - 1/4" X 3/4" UNC - ZINC PLTD - GRD 5	2
31	15-1800-0004	CONE LOCK NUT - 3/8"-16 UNC - ZINC PLTD	18
32	14-1100-0031	PLASTIC BATTERY BOX - SMALL	1
33	12-1801-0036	R16	2
34	118222	FENDER BRACE FLAT BAR - RIGHT	1
35	118221	FENDER BRACE FLAT BAR - LEFT	1
36	108302	LICENCE PLATE HOLDER	1

PART NO: 504220 TITLE: HYDRAULICS

ITEM	PART #	DESCRIPTION	QTY
1	504249	4WC-6FJX TO HYD. HOSE 1/4" - 165" TO 4WC-6FJX	1
2	504248	16WC-16FJX TO HYD. HOSE 1" - 70" TO 16WC-16FJX	1
3	504247	12WC-12FJX 90° TO HYD. HOSE 3/4" - 78" TO 12WC-12FJX	1
4	504246	6WC-6FJX TO HYD. HOSE 3/8" - 14" TO 6WC-6FJX	1
5	504245	6WC-6FJX TO HYD. HOSE 3/8" - 48" TO 6WC-6FJX 90°	1
6	504242	6WC-6FJX TO HYD. HOSE 3/8" - 43" TO 6WC-8FJX	1
7	504241	6WC-6FJX TO HYD. HOSE 3/8" - 186" TO 6WC-6FJX	1
8	504240	6WC-6FJX TO HYD. HOSE 3/8" - 186" TO 6WC-6FJX	1
9	504235	8WC-8FJX TO HYD. HOSE 1/2" - 196.5" TO 8WC-8FJX	1
10	504234	8WC-8FJX TO HYD. HOSE 1/2" - 196.5" TO 8WC-8FJX	1
11	504233	6WC-6FJX TO HYD. HOSE 3/8" - 55" TO 6WC-6FJX 90°	1
12	504232	6WC-6FJX TO HYD. HOSE 3/8" - 72" TO 6WC-6FJX 90°	1
13	504231	6WC-6MP TO HYD. HOSE 3/8" - 90" TO 6WC-6FJX	1
14	504230	6WC-6MPX TO HYD. HOSE 3/8" - 49" TO 6WC-8FJX	1
15	504229	12WC-12FJX 90° TO HYD. HOSE 3/4" - 257" TO 12WC-12FJX	1
16	504228	12WC-12FJX 90° TO HYD. HOSE 3/4" - 264" TO 12WC-12FJX	1
17	504227	12WC-12FJX 90° TO HYD. HOSE 3/4" - 63" TO 12WC-12FJX	1
18	504226	8WC-8FJX 90° TO HYD. HOSE 1/2" - 57" TO 8WC-8FJX	1
19	504225	12WC-12FJX TO HYD. HOSE 3/4" - 21" TO 12WC-12FJX	1
20	504224	20WC-20FJX TO HYD. HOSE 1 1/4" - 29" TO 20WC-20FJX	1
21	404657	SUCTION WELDMENT	1
22	24-2200-0004	SELF TAPPING SCREW - 1/4" X 1" - ZINC PLTD	8
23	2245-TL	22" BELT CONVEYOR 45' TRUCK LOADER	1
24	18-4500-0144	MANIFOLD - HYD WHEEL LIFT LOCK BLOCK	1
25	18-4500-0100	HYD VALVE - 1-BANK - BM70/SD11 - 1 MOTOR SPOOLL(DETENT WITH UPSIDE DOWN LEVER)	1
26	18-4500-0099	SD5/4 VALVE	1
27	18-3500-0447	6MJ-4MP 45°	1
28	18-3500-0444	16MJ-20MP-90	1
29	18-3500-0406	8MJ - 8FP	2
30	18-3500-0390	16FJXR-16MJT	2
31	18-3500-0387	12FJX - 12MJ-90	2
32	18-3500-0373	8FJX-6MJ-90	2
33	18-3500-0362	6FJ-4MJ	2
34	18-3500-0361	16FJ-12MJ	2
35	18-3500-0350	8FJ - 6MJ	1
36	18-3500-0336	10MB-16MJ	1
37	18-3500-0327	20MJ-16FJ	1

continued on next page

PART NO: 504220 TITLE: HYDRAULICS cont'd

ITEM	PART #	DESCRIPTION	QTY
38	18-3500-0322	20MJ-20MP-90	2
39	18-3500-0320	4FJX-4FP	2
40	18-3500-0305	6MB-4FP	1
41	18-3500-0304	12MB-8MJ	3
42	18-3500-0290	20MP-20MP	1
43	18-3500-0286	20FPT	1
44	18-3500-0284	8MB - 6MJ 90	2
45	18-3500-0274	12MBP	1
46	18-3500-0241	12FJ - 8MJ	1
47	18-3500-0239	20MP-20FJX	2
48	18-3500-0219	10MB - 8MJ	2
49	18-3500-0197	8MB - 6MJ	9
50	18-3500-0178	*VARIES*	4
51	18-3500-0169	6MBP	2
52	18-3500-0135	20MJ-20MP	1
53	18-3500-0119	6MB - 6MJ	3
54	18-3500-0118	6MB - 8MJ	1
55	18-3500-0099	12MB-16MJ	1
56	18-3500-0092	8MP - 8FJX90	2
57	18-3500-0045	12MB-12MJ	2
58	18-3500-0036	12MP-12MJ	1
59	18-3500-0024	20MP-12FP	1
60	18-3500-0012	10MB-12MJ	6
61	18-3000-0093	INDICATOR GAUGE-GOR 50143 FILTER HEAD	1
62	18-3000-0085	TSCP075-TWIN-PIPE-CLAMP-3/4" I.D.	15
63	18-3000-0076	CASAPPA PUMP (WITH SPLINE SHAFT)	1
64	18-3000-0054	PRESSURE GAUGE - 5000 PSI	2
65	18-3000-0033	HYDRAULIC OIL FILTER	1
66	18-3000-0032	SPIN ON FILTER HOUSEING	1
67	18-1000-0013	8MP-8FP RESTRICTOR .052	1
68	18-1000-0006	1-1/4INCH-BALL-VALVE	1
69	18-1000-0002	8MP-8FP RESTRICTOR .062	1
70	18-1000-0001	3/8" BALL VALVE	1
71	16-2408-0008	SPRING LOCK WASHER - 1/2" - ZINC PLTD	2
72	16-2408-0006	SPRING LOCK WASHER - 5/16" - ZINC PLTD	10
73	16-2405-0001	CONE LOCK NUT - 5/16"-18 UNC - ZINC PLTD	4
74	16-1707-0003	U.S.S. FLAT WASHER - 5/16" - ZINC PLTD	2
75	16-1307-0003	S.A.E. FLAT WASHER - 5/16" - ZINC PLTD	14
76	16-0207-0511	HEX BOLT - 5/16" X 2 3/4" UNC - ZINC PLTD - GRD 5	4
77	16-0207-0248	HEX BOLT - 1/2" X 1 1/2" UNC - ZINC PLTD - GRD 5	2
78	16-0207-0077	HEX BOLT - 5/16" X 3 1/2" UNC - ZINC PLTD - GRD 5	15
79	16-0207-0070	HEX BOLT - 5/16" X 1 3/4" UNC - ZINC PLTD - GRD 5	1
80	16-0207-0065	HEX BOLT - 5/16" X 1" UNC - ZINC PLTD - GRD 5	2
81	16-0207-0014	HEX BOLT - 1/4" X 2 1/2" UNC - ZINC PLTD - GRD 5	2
82	14-1500-0001	1 HOLE EMT STRAP - 1/2"	7
83	113188	DUAL HOSE CLAMP	10

PART NO: 503804 TITLE: DISCHARGE HOUSING

ITEM	PART #	DESCRIPTION	QTY
1	B-0000-0030	BEARING - FL210 - 1 15/16" SHAFT - COMPLETE	2
2	502013	ROLLER - TYPE 5 X 22 X 1-15/16 X 30	1
3	401530	DISCHARGE BODY	1
4	36-2200-0001	IMPORTANT - LUBRICATE REGULARLY	2
5	16-2407-0006	CONE LOCK NUT - 5/8"-11 UNC - ZINC PLTD	4
6	16-1307-0008	S.A.E. FLAT WASHER - 5/8" - ZINC PLTD	8
7	16-0207-0368	HEX BOLT - 5/8" X 2" UNC - ZINC PLTD - GRD 5	4

PART NO: 503805 TITLE: SWIVEL DISCHARGE HOOD & SPOUT

ITEM	PART #	DESCRIPTION	QTY
1	405216	SWIVEL DISCHARGE SPOUT (LONG)	1
2	405215	SWIVEL DISCHARGE HOOD (LONG)	1
3	16-2408-0007	SPRING LOCK WASHER - 3/8" - ZINC PLTD	4
4	16-1707-0004	U.S.S. FLAT WASHER - 3/8" - ZINC PLTD	12
5	16-0207-0124	HEX BOLT - 3/8" X 1" UNC - ZINC PLTD - GRD 5	8
6	15-1800-0004	CONE LOCK NUT - 3/8"-16 UNC - ZINC PLTD	4

PART NO: 503801 TITLE: ELECTRIC SWIVEL DISCHARGE HOOD & SPOUT

ITEM	PART #	DESCRIPTION	QTY
1	405219	DISCHARGE HOOD ACTUATOR MOUNT BASE	1
2	403973	DISCHARGE ACTUATOR MOUNT BASE	1
3	16-2407-0001	CONE LOCK NUT - 1/4"-20 UNC - ZINC PLTD	6
4	16-1707-0004	U.S.S. FLAT WASHER - 3/8" - ZINC PLTD	8
5	16-1707-0002	U.S.S. FLAT WASHER - 1/4" - ZINC PLTD	16
6	16-0207-0124	HEX BOLT - 3/8" X 1" UNC - ZINC PLTD - GRD 5	4
7	16-0207-0011	HEX BOLT - 1/4" X 1 3/4" UNC - ZINC PLTD - GRD 5	2
8	16-0207-0006	HEX BOLT - 1/4" X 1" UNC - ZINC PLTD - GRD 5	4
9	15-1800-0004	CONE LOCK NUT - 3/8"-16 UNC - ZINC PLTD	4
10	14-1700-0002	LINEAR ACTUATOR - 10" STROKE - PA-14-10-50	1



130 CANADA STREET
WINKLER MANITOBA R6W 0J3
CANADA

1-800-418-9461
P: (204) 325-4195
F: (204) 325-8116